

# TOP SPEED 2<sup>TM</sup>

**RADIO-CONTROLLED ALMOST-READY-TO-RUN 3.5cc NITRO TUNNEL HULL RACING BOAT**

**A TUNNEL HULL FOR ALL LEVELS OF BOAT RACERS!**



The Top Speed 2 was designed by Jerry Dunlap — multi-national champion, Hall of Fame member, and a veteran of 40 years of racing boats.

AquaCraft enters the category of competitive racing with the nitro-powered Top Speed 2 tunnel hull! With its state-of-the-art design manufactured to exact tolerances, the Top Speed 2 is ready to beat the best, right from the start. But while it's a logical choice for veteran boat racers, this scale appearance racing model also boasts step-by-step assembly making it simple enough for anyone to enjoy!

- **Based on a record-holding, race-winning design!**
- **Included with the Top Speed 2 is a custom racing hardware package that's so complete, all you have left to buy is the engine and radio!**
- **Easy enough for beginners — super-fast for competition racing!**



**Boat Stand  
Included!**

The water-proof, fuel-proof boat stand that's included doubles as a set-up board and starting station. The start side holds the hull and secures the outboard engine during start-up; flip the stand over and it helps you set the correct prop height and thrust angles.

HCAB5010-White; HCAB5011-Yellow; HCAB5012-Red • Length: 30 in (762mm) • Width: 11.5 in (292mm) • Height w/o engine: 5.75 in (146mm) • Weight (hull only): 34 oz (2.125 lb (964g))  
• Requires: .21 cu in (3.5cc) outboard engine, 2-channel radio w/2 servos



The innovative sponsons feature strakes that control water deflection for added stability. Water breaks channel water away from the hull — providing better acceleration and top end performance.



The custom 3-channel radio box is waterproof, and comes prefinished. An optional 3rd servo can be installed for on-board fuel mixture control.

**A high-quality fiberglass hull —  
pre-painted in one of three colors!**



HCAB5010

HCAB5011

HCAB5012

For more information on the Top Speed 2 or the location of the dealer nearest you, log onto [www.aquacraftmodels.com](http://www.aquacraftmodels.com) or call 1-800-682-8948 and mention code number 99R31.

[www.aquacraftmodels.com](http://www.aquacraftmodels.com)

## Replacement Parts & Accessories

HCAB6217	Fiberglass Cowl-White	HCAB8603	Radio Box Foam
HCAB6218	Cowl Body Clip w/Washer (2)	HCAB8604	Antenna Tube w/Cap
HCAB6313	Decal Set	HCAB8606	Radio Box Waterproof Tape
HCAB6700	Waterproof Switch Boot w/On-Off Plate	HCAB9042	Tunnel Hull Recovery Pads
HCAB6701	Radio Box Water Seal Boot (2)	GPMQ3030	Socket Head Cap Screw 6-32x3/4" (4)
HCAB6702	Receiver Waterproof Balloon (2)	GPMQ3362	Brass Threaded Insert 4-40 (4)
HCAB6703	Antenna/Cable Seal Boot (2)	GPMQ3404	Flat Washer #6 (8)
HCAB6704	Hull Rubber Drain Plug	GPMQ3702	Flexible Cable 36"
HCAB7102	Tunnel Hull Boat Stand	GPMQ3790	Steel Clevis 2-56 Thread (2)
HCAB7802	L-Link Pushrod Connector (2)	GPMQ3870	Screw-Lock Connector (2)
HCAB8602	Radio Box, 3-Channel Assembled	GPMQ4103	Fuel Tank 8 oz

### Fiberglass Tunnel Hull Cowl



HCAB6217

This sleek cowl comes in white to allow for customizing; great for scratch builders!

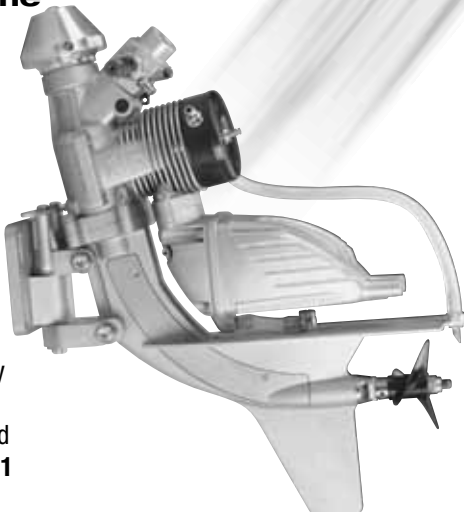
### AquaCraft Speed Grease Drive Line Cable Lube



Designed for both electric and glow-fuel boat drive systems, this waterproof blue lubricant reduces friction and wear for the flex cable and direct drive systems, with specially formulated "non-sling" properties. HCAB3000

### O.S.® Engines .21 XM Marine Outboard Engine

Legal for NAMBA and IMPBA racing, the water-cooled .21 XM features a muffler pressure system that ensures a steady flow of lubricating oil to the flex shaft and bearings. The ultra-quiet muffler is detachable, to ease maintenance and simplify conversion to an optional tuned pipe. Glow plug and prop included. OSMG1721



### Futaba® 2PL 2-Channel Computer Radio

One-button programming makes this one great radio! Besides its computer sophistication, the 2PL is packed with high-performance features — and designed for simplicity in setup and control. High-tech advantages include: steering and throttle trims, steering dual rate, 10-model memory, steering and throttle EPA (End Point Adjustment), ABS braking and more. Comes with an S3003 servo and R142JE receiver, and operates on 75MHz band.



Stock #	Model	Band	Receiver	Servos	Modulation
FUTK01**	2PL	75MHz	R142Je	(1)S3003	AM

### Futaba® S3305 Heavy-Duty Standard Servo

Utilizing metal gears and two ball bearings, the S3305 Heavy-Duty Standard Servo cranks out impressive muscle (124.0 oz/in) — making it the ideal steering servo for the Top Speed 2. FUTM0045



[www.aquacraftmodels.com](http://www.aquacraftmodels.com)