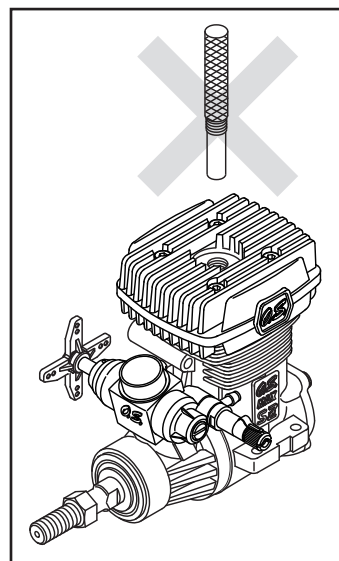
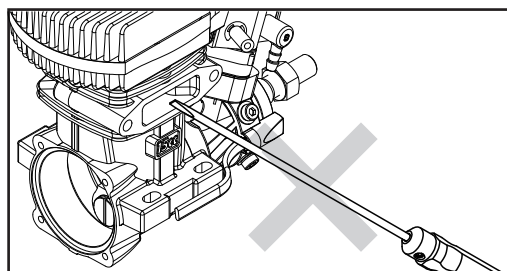


NOTE ON INSTALLING COOLING FAN AND CLUTCH

Do not use a tool which locks piston when installing a cooling-fan and clutch, or top of the piston may be damaged. Also, do not insert a screw driver or the similar into the exhaust port, or the piston and upper part of the cylinder liner may be damaged.



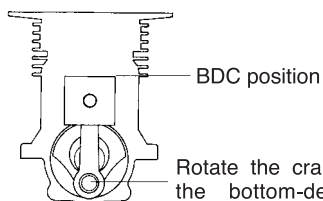
O.S.
GENUINE
TOOLS

O.S. Crankshaft Clamp is a must to install cooling fan!!



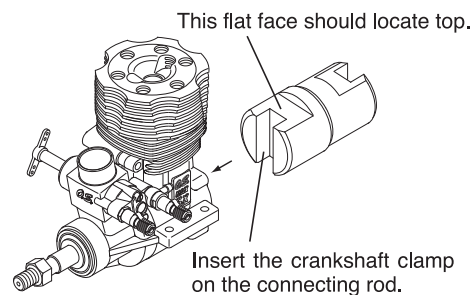
Locking piston by inserting a tool from plug hole or exhaust port when installing cooling fan and clutch may damage the engine.

This device facilitates the installation or removal of a cooling fan by temporarily locking the crankshaft so that it cannot rotate. Made of durable engineering plastic, it achieves this without risk of damaging any part of the engine such as crankcase, connecting rod, piston and crankshaft.



BDC position

Rotate the crankshaft to the bottom-dead-center (BDC) position where the connecting rod lower end locates this position.



This flat face should locate top.

Insert the crankshaft clamp on the connecting rod.

72530510 (exclusively for 91) and 71530520 (exclusively for 91/105) cannot be used with the GT15HZ. If they are used with the GT15HZ, piston skirt will be broken or damaged.

Code No.	Description	Engines to use
71530600	37SZ-H	37SZ-H (exclusively)
71530400	3246	32SX-H, 50SX-H, 55HZ
71530300	3261	32SX-H, 61SX-H, 61RX-H, 61LX-H, 61SF-H
71530500	7091	70SZ-H, 91SX-H
71530530	GT15HZ,105.91	GT15HZ, 91SZ,RZ-H, 91HZ/ 105HZ Series

Specifications are subject to alteration for improvement without notice.

O.S. ENGINE

URL : <http://www.os-engines.co.jp>

O.S. ENGINES MFG.CO.,LTD.

6-15 3-Chome Imagawa Higashisumiyoshi-ku Osaka 546-0003, Japan
TEL. (06) 6702-0225 FAX. (06) 6704-2722

601511400000 021302