

# GREAT NEWS

GREAT PLANES MODEL DISTRIBUTORS

RADIO CONTROL • DECEMBER 2012



**AXIAL**

**SCX10**

Pages 2-3

READY-TO-RUN

**2012 JEEP WRANGLER  
UNLIMITED RUBICON**

1/10th SCALE ELECTRIC 4WD

**RTR**  
READY-TO-RUN

**PLUS:**

**Flyzone™  
New Airplanes**  
Pages 4-7

**Thunder Tiger®  
TS4e and TS2e**  
Pages 16-17

**Team Associated  
Prolite 4x4 RTR**  
Pages 18-19

**Jeep**

LICENSED PRODUCT

**GREAT PLANES**  
MODEL DISTRIBUTORS

Jeep, and related logos, vehicle model names and trade dresses are trademarks of Chrysler Group LLC and used under license by Axial R/C Inc. ©Chrysler Group LLC 2012.

Copyright 2012 Hobbico® 2003307 All rights reserved.

# GREAT NEWS

GREAT PLANES MODEL DISTRIBUTORS

GENERAL HOBBY • DECEMBER 2012



**PLUS:**

**New Revell®  
Pinewood Derby® Releases**  
Pages 2 - 3

**New Plastic Models**  
Pages 4 - 12

**New Lionel® Trains**  
Pages 17 - 18



Page 18

**GREAT PLANES**  
MODEL DISTRIBUTORS

www.gpdealer.com

www.gpdealer.com



READY-TO-RUN  
**2012 JEEP®  
 WRANGLER  
 UNLIMITED  
 RUBICON**  
 1/10th SCALE ELECTRIC 4WD



Jeep and related logos, vehicle model names and trade dresses are trademarks of Chrysler Group LLC and used under license by Axial R/C Inc. © Chrysler Group LLC 2012.



- 1/10 scale Jeep Wrangler Unlimited Rubicon body
- 4-link rear suspension, optimized to reduce axle steer and torque twist
- Officially licensed Poison Spyder Rock Brawler bumpers
- WB8 Wild Boar driveline system, as simple as it is durable
- Heavy-duty, one-piece diff locker made from sintered metal
- Powerful 27T motor

- Adjustable coil-over shocks, oil-filled with dual rate springs
- 2.4GHz radio with 3-channel receiver and digital metal-gear servo
- Electronics box protected from off-road dust and debris
- Compact, low-CG transmission allows for a wide range of gearing options

**AXID9028 SCX10 Jeep Wrangler Unlimited Rubicon RTR**  
**Length:** 21.25 in (540 mm)  
**Width:** 9 in (229 mm)  
**Height:** 9 in (229 mm)  
**Weight:** 4.65 lb (2.1 kg)  
**Wheelbase:** 12.3 in (313 mm)  
**Ground Clearance:** 2.7 in (68 mm)

**From the Experts:**

Axial has joined forces with the most recognized name in off-roading - Jeep. The SCX10 Jeep Wrangler Unlimited Rubicon was designed to resemble its full sized "scale/1:1" counterpart. Axial really did their research with this vehicle by building a full scale version for testing, research and development. Axial wanted to make sure you'd get the best built SCX10, right out of the box.

**Long story short...**

*Trail running with the SCX10 Jeep Wrangler Unlimited Rubicon is just about the most fun you can have off-roading!*



NEW PRODUCT

NEW PRODUCT

# FIGHT FOR FREEDOM WITH THE LEGENDARY BRITISH BIPLANE!

# S.E.5a

Micro WWI Park Flyer



**Fly the Tx-R with your favorite transmitter!**



TACJ2000 Tactic™ AnyLink™ 2.4GHz Adapter

The AnyLink Radio Adapter (available separately) is compatible with virtually all transmitters, regardless of brand, band or modulation. Before purchasing AnyLink, see the chart on Tx-ready.com to determine transmitter compatibility and requirements.

**Tx-R™**  
TRANSMITTER-READY



Inside the box you'll find a preassembled S.E.5a Tx-R equipped with an SLT receiver, a LiPo flight battery, cordless DC charger and "AA" batteries.

- Start flying World War I missions in your backyard in just minutes!
- Scale details include a pilot figure\*, replica Lewis machine gun, engine exhausts and authentic WWI trim
- A Tactic SLT receiver, servos and ESC are pre-installed
- Powered by a rechargeable 3.7V 140mAh LiPo flight battery
- A cordless DC LiPo charger and 5 "AA" batteries are included
- Also available in a RTF version with a 2.4GHz radio

\*Requires installation and painting.

FLZA2050 Micro S.E.5a WWI RTF  
 FLZA2052 Micro S.E.5a WWITx-R  
 Wingspan: 14.3 in (363 mm)  
 Length: 11.3 in (287 mm)  
 Weight: 1.3 oz (37 g)  
 RTF Requires: Nothing  
 Tx-R Requires: AnyLink and compatible 3+ channel transmitter with SLT.

### From the Experts:

The S.E.5a played a vital role during the First World War, and the detail found on this micro-sized replica will have you feeling like you're defending European airspace — right in your own backyard! No assembly is required, so you'll be flying sorties in no time — with flight characteristics that are stable and predictable.

### Long story short...

*This S.E.5a is one of the most detailed WWI park flyers in the Flyzone hangar, and can be flown almost immediately, almost anywhere!*

**Flyzone™**  
how high will you soar



# SELECT SCALE DETAIL ADDS EXCITEMENT TO THE F4U CORSAIR!

## F4U CORSAIR

Select Scale™ **RTF** **Tx-R**  
READY-TO-FLY TRANSMITTER-READY



**RTF**  
READY-TO-FLY

The F4U Corsair RTF comes with everything you need!

Inside the box you'll find a preassembled F4U Corsair RTF equipped with an SLT receiver, a LiPo flight battery, cordless DC charger and "AA" batteries.



**Tx-R**  
TRANSMITTER-READY

Fly the F4U Corsair Tx-R with your favorite transmitter!

The AnyLink Radio Adapter (available separately) is compatible with virtually all transmitters, regardless of brand, band or modulation. Before purchasing AnyLink, see the chart on Tx-ready.com to determine transmitter compatibility and requirements.

**ANYLINK**



TACJ2000 Tactic AnyLink 2.4GHz Adapter

- LED navigation lights, rotating retracts, molded-in panel lines, a replica radial engine and a pilot figure add to the World War II realism
- Molded, factory-painted AeroCell foam sections assemble quickly without glue
- Available Ready-To-Fly or Transmitter-Ready, both versions include a brushless power system, five micro servos and an SLT receiver compatible with AnyLink

FLZA4030 F4U Corsair Select Scale RTF

FLZA4032 F4U Corsair Select Scale Tx-R

Wingspan: 48.5 in (1230 mm)

Wing Area: 426 in<sup>2</sup> (27.5 dm<sup>2</sup>)

Weight: 48 oz (1360 g)

Wing Loading: 16 oz/ft<sup>2</sup> (49 g/dm<sup>2</sup>)

Length: 38.5 in (980 mm)

RTF Includes: Tactic TTX600 6-channel 2.4GHz radio system with SLT, 2100mAh 11.1V 20C LiPo battery, balancing LiPo charger and (4) "AA" transmitter batteries

Tx-R Requires: AnyLink and compatible 5-channel transmitter, or a 6-channel Tactic 2.4GHz transmitter with SLT, 11.1V 2100mAh LiPo battery and compatible charger

### From the Experts:

WWII's "Whistling Death" comes to life with this Select Scale model of the F4U Corsair! Working LED navigation lights and rotating retracts are just some of the details you'll find, and foam construction makes final assembly a breeze. Choose the RTF for all-in-one convenience, or use your favorite transmitter to pilot the Tx-R!

### Long story short...

The Select Scale F4U Corsair is as authentic-looking as it is easy to fly, with scale touches that are add-on extras with other models!

**Flyzone**  
how high will you soar

# NISSAN GT-R

1/10 SCALE NITRO 4WD READY-TO-RUN

**A scale beauty — and performance beast.**

The real Nissan GT-R tops 190 mph and goes from zero to 60 in just over three seconds — which explains the “super” in supercar. That’s also a good word for this officially licensed R/C version. Durable and ready-to-run, it’s a sweet on-road machine even for non-modelers. Check out the chassis and you’ll find the kind of equipment that gets hard-core racers excited, too — like an easy-to-adjust pillow ball front suspension and 2-speed transmission with adjustable shift point.



PROTECTED BY  
**STRESS-TECH  
GUARANTEE** 1 YEAR

GET DIRTY



- DTXD51\*\* Nissan GTR 1/10 4WD Nitro 2.4GHz RTR
- DTXD51BB Nissan GT-R 1/10 4WD Nitro 2.4GHz RTR-Deep Blue
- DTXD51EE Nissan GT-R 1/10 4WD Nitro 2.4GHz RTR-Gun Metallic
- DTXD51RR Nissan GT-R 1/10 4WD Nitro 2.4GHz RTR-Solid Red

Length: 17.3 in (440 mm)  
Width: 8.5 in (215 mm)  
Height: 5.3 in (135 mm)  
Weight: 4.1 lb (1.86 kg)



**From the Experts:**

Here’s an opportunity to satisfy your need for speed with officially licensed style! This Nissan GT-R on-road machine comes ready to run, complete with an ST18-S nitro engine with dual chamber tuned pipe and a 2.4GHz radio system. The strong, lightweight aluminum chassis is loaded with quality components for exhilarating performance. And the famous Stress-Tech Guarantee lets you drive with confidence!

**Long story short...**

*The Nissan GT-R complements your driving skills with scale detail and awesome speed, acceleration and handling!*



Nissan Motor Co., Ltd. trademarks, designs, copyrights and/or other intellectual property rights are used under license.  
©2012 Hobbico®, Inc. All Rights Reserved • 3075362



# POUR ON THE POWER WITH THESE BRUSHLESS COMPONENTS!

MS Series Sensored Brushless Motors and Combos



All motors and the MS-1 ESC are available separately, and in perfectly matched brushless systems!



### MS Series Sensored Brushless Motors

- Ribbed CNC aluminum case provides more surface area for heat dissipation
- Rotors are sintered to handle higher temperatures
- Mechanical timing
- Heavy-duty solder tabs
- Vent holes increase air flow



### MS-1 Brushless ESC

- "Blinky mode" meets ROAR guidelines for Stock Class Racing
- All-aluminum case is extremely durable and doubles as a heat sink
- Compatible with motors down to 2.5T (540 size)
- Gold-plated solder posts
- Compact design for easy installation

- TKPC5015 MS Series Sensored Brushless Motor 6.5T
- TKPC5025 MS Series Sensored Brushless Motor 8.5T
- TKPC5035 MS Series Sensored Brushless Motor 10.5T
- TKPC5040 MS Series Sensored Brushless Motor 13.5T
- TKPC5045 MS Series Sensored Brushless Motor 17.5T
- TKPC5050 MS Series Sensored Brushless Motor 21.5T
- TKPC6015 MS Series Brushless System 6.5T Motor/MS-1 ESC
- TKPC6025 MS Series Brushless System 8.5T Motor/MS-1 ESC
- TKPC6035 MS Series Brushless System 10.5T Motor/MS-1 ESC
- TKPC6040 MS Series Brushless System 13.5T Motor/MS-1 ESC
- TKPC6045 MS Series Brushless System 17.5T Motor/MS-1 ESC
- TKPC6050 MS Series Brushless System 21.5T Motor/MS-1 ESC
- TKPM0010 MS-1 Sensored Brushless ESC

### From the Experts:

If it's from TrakPower, you know it's engineered to win! MS Series motors are tough enough to take the heat, with mechanical timing that lets you fine-tune RPM and torque. The MS-1 is one of the few ESCs with an all-aluminum case, and it meets ROAR specs for stock class racing.

### Long story short...

Electric racers demand top-notch performance — and MS Series brushless power systems deliver!

# THE PERFECT PIT PARTNERS FOR PUNCHING UP YOUR RIDE'S PERFORMANCE!

The charger with all the features racers want!

### VR-1 Dual Racing Charger

- Two outputs, both with built-in balancing
- Capable of charging all R/C battery chemistry types
- Charge up to 20A on output 1, and up to 6A on output 2
- 40 model memories, pre-loaded with TrakPower, Onyx and LiFeSource batteries
- Large graphic reverse backlit LCD displays graphical data such as temperature, current and voltage
- Other features include special charge mode for battery storage, built-in cell checker and mini USB port for firmware updates



TKPP5000 VR-1 Dual Racing Charger

### Pure power for race-winning performance!

### DPS 12V 25A Racing Power Supply

- Delivers up to 25A while maintaining a smooth, clean 12V DC on the output
- Multiple DC outputs let you power additional chargers and/or other devices
- The USB port is convenient for charging music players, phones and other accessories while at the track



TKPP5505 DPS 12V 25A Racing Power Supply



The Direct Plug System (DPS) eliminates cable clutter and frees up valuable pit space by allowing the VR-1 Dual Racing Charger to dock directly.

### From the Experts:

Your pit will be the envy of all the other racers when you equip it with the TrakPower VR-1 Charger and DPS Power Supply! Both units come with all of the features that drivers need to gain that critical edge on the track — and because they dock directly to each other you'll have the perfect power source that's also streamlined and space-efficient.

### Long story short...

Let TrakPower electronics take you from the pit to the winner's circle!



# HIT THE STREETS WITH NOSTALGIC STYLE AND AWESOME PERFORMANCE!

## Sprint 2 Sport RTR with 1969 Ford Mustang RTR-X Body

World Champion Drift Racer Vaughn Gittin Jr. and Mustang RTR teamed up with Need for Speed to build a one-of-a-kind, fully functional Street, Track and Drift machine. Now you can experience the thrill of driving Vaughn's iconic ride with HPI Racing's 1/10 scale replica.

# Sprint 2 Sport



- Orange anodized aluminum chassis parts
- 4WD system helps beginners learn quickly and drive fast
- Independent suspension and fully proportional steering keep you in control
- 2.4GHz radio system for glitch-free operation
- Waterproof, reversible ESC that's LiPo-compatible
- Waterproof steering servo
- Waterproof receiver box
- Also included: 7.2V 2000mAh battery, "AA" transmitter batteries and AC wall charger



Ford Motor Company Trademarks and Trade Dress used under license to HPI Racing, Inc. [www.FordMotorCompany.com](http://www.FordMotorCompany.com).



The Sprint 2 Sport RTR with 1969 Ford Mustang RTR-X Body comes with two sets of tires: a "drift" set for power-sliding through the turns and a "grip" set for better traction on the track.

HPID0299 Sprint 2 Sport RTR with 1969 Ford Mustang RTR-X Body

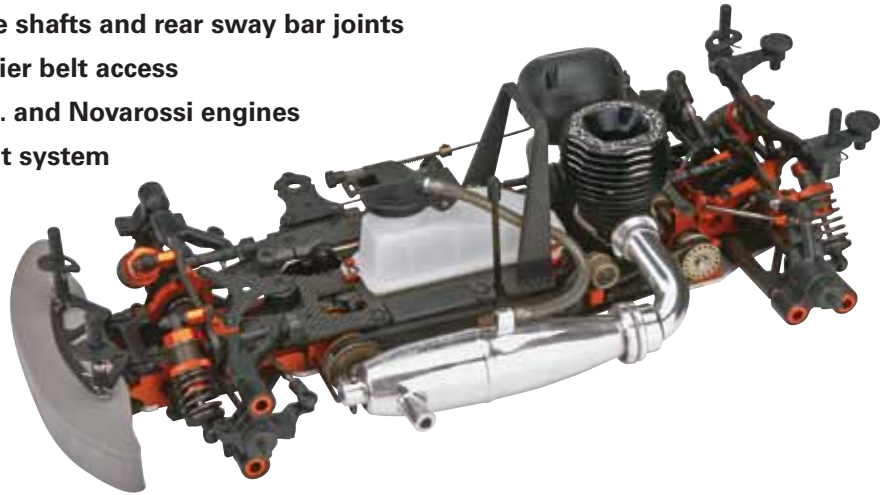
### Long story short...

HPI captures the excitement of drift racing with a Sprint 2 Sport model featuring the timeless 1969 Ford Mustang RTR-X body!

## THIS IS TOP-OF-THE-LINE NITRO TOURING CAR TECHNOLOGY!

### HB R10 4WD Nitro Touring Car Kit

- Centralized lower weight distribution for superb balance and agility
- Titanium tie rods, rear camber links, middle shafts and rear sway bar joints
- Separated (upper/lower) bulkheads for easier belt access
- 4-piece engine mount compatible with O.S. and Novarossi engines
- Multiple suspension pivot point adjustment system
- Many other upgrades too numerous to mention — you've got to see this kit to believe it!



HBSC8382 1/10 Scale HB R10 4WD Nitro Touring Car Kit

Length: 14.4 in (366 mm)

Width: 7.9 in (200 mm)

Weight: 3.75 lb (1700 g)

Wheelbase: 10.3 in (261 mm)



### Long story short...

Only the most advanced equipment is found on HB's R10 Nitro Touring Car!

## GET A GRIP WITH PROVEN PRO-LINE TREADS

### Ion, Suburbs, Scrubs and Blockade Tires



- Ion — the ultimate indoor clay tire, requiring zero break-in period
- Blockade — maximum forward bite with large lugs and perfectly balanced spacing
- Suburbs SC — wider to put down more rubber, while still being ROAR-legal
- Suburbs MX — taller tread with more pins provides longer wear and more traction
- ScrubsT — ultra-low profile bars and pins designed for hard-packed/blue-grooved tracks
- Scrubs 2.2" Off-Road — angled bar design delivers tons of side bite

Visit [GPDealer.com](http://GPDealer.com) for a complete listing of Pro-Line tires!



### Long story short...

Find out what race-winning professional drivers already know: Pro-Line tires are difference-makers!

# AN ALL-AROUND GREAT CHOICE FOR ANY HELI PILOT

## Mini Titan E325 Sport



- 95% preassembled
- Micro digital servos installed
- Efficient belt drive system
- Injection molded main rotor grips
- Ace™ R/C 3500kV brushless motor and BLC-40 40A ESC installed
- 325 mm carbon fiber main blades included
- Durable one-piece main frame and metal rotor hub
- Strong, pre-printed ABS canopy
- A 3S 2200mAh battery and charger are included in the Combo (TTRE0028)

TTRE0027 MiniTitan E325 Sport FBL Heli ARF  
 TTRE0028 MiniTitan E325 Sport FBL Heli Combo  
 Main Rotor Blade Length: 325 mm  
 Length: 25.2 in (640 mm)  
 RTF Weight: 25.6 oz (726 g)



The GT5.1 3-Axis Gyro Touch Flybarless System is a state-of-the-art controller that normally would be an expensive hop-up, but it's included with the MiniTitan E325 Sport, installed and already programmed for convenience.



Go to [ttamerica.com](http://ttamerica.com) for complete details!

### From the Experts:

From beginners to experts, the MiniTitan E325 Sport is the ideal machine. It's 95% assembled, with a low parts count and 95% compatibility with all E325 models. The price is surprisingly low for a heli as fully 3D capable as this ARF is, and the combo includes a LiPo battery and charger.

### Long story short...

*The Mini Titan E325 Sport is a great heli to start with and stay with!*

NEWPRODUCT

www.gpdealer.com

# AN ELITE TOURING CAR FOR SERIOUS RACERS

## TS4e

1/10 Scale Brushless 4WD Touring Car RTR



- 100% preassembled
- Cougar GP2 2.4GHz radio system
- All electronics are included and installed
- Dual belt, four-wheel drivetrain
- Powerful 3300kV brushless motor and BLC-40C ESC
- Independent double wishbone suspension with 4 adjustable oil-filled shocks
- Factory-printed touring car body in your choice of 4 color schemes

The TS4e comes with performance perks such as true Ackermann steering, adjustable front caster and toe-in, front and rear diffs, ball bearings and more.

TTRD7581TS4e 1/10 Scale EP 4WD Touring Car RTR-Red  
 TTRD7582TS4e 1/10 Scale EP 4WD Touring Car RTR-Blue  
 TTRD7583TS4e 1/10 Scale EP 4WD Touring Car RTR-Orange  
 TTRD7584TS4e 1/10 Scale EP 4WD Touring Car RTR-Green  
 Length: 16.5 in (420 mm)  
 Width: 7.5 in (190 mm)  
 Height: 5 in (125 mm)  
 Weight: 3 lb (1400 g)  
 Wheelbase: 10.2 in (260 mm)

### From the Experts:

The TS4e has all the top-of-the-line goodies that competitive drivers want, including dual belt 4WD, a brushless power system and an independent double wishbone suspension with four adjustable dampers.

### Long story short...

Go to the head of the pack with the tricked-out TS4e touring car RTR!



THUNDER TIGER



# BECOME A 2WD TERROR WITH THUNDER TIGER'S TS2E!

## TS2e

1/10 Scale EP 2WD Touring Car RTR



- Composite nylon tub chassis
- All electronics are included and installed
- 100% preassembled
- Cougar GP2 2.4GHz radio system
- Single belt, rear-wheel drivetrain
- S540 brushed motor and ESC with forward/brake/reverse
- Independent rear suspension with 2 adjustable oil-filled shocks
- Factory-printed touring car body in your choice of 4 color schemes



True Ackermann steering, 3-point rear suspension link and fiberglass reinforced parts are just some of the high-performance components you'll find on the TS2e.

TTRD8791 TS2e 1/10 Scale EP 2WD Touring Car RTR-Red  
 TTRD8792 TS2e 1/10 Scale EP 2WD Touring Car RTR-Blue  
 TTRD8793 TS2e 1/10 Scale EP 2WD Touring Car RTR-Orange  
 TTRD8794 TS2e 1/10 Scale EP 2WD Touring Car RTR-Green  
**Length:** 16.5 in (420 mm)  
**Width:** 7.5 in (190 mm)  
**Height:** 5 in (125 mm)  
**Weight:** 3 lb (1400 g)  
**Wheelbase:** 10.2 in (260 mm)

### From the Experts:

With the ready-to-run TS2e drivers have the opportunity to get into on-road racing with a car that combines speed and style without a big price tag. A single-belt, rear-wheel drivetrain and rear suspension are standard equipment, and hop-ups are available for tweaking performance even more!

### Long story short...

*The TS2e: an excellent value in a 2WD electric on-road racer!*



THUNDER TIGER®



# IT'S EVERYTHING YOU COULD WANT IN YOUR FIRST R/C TRUCK!

Qualifier Series ProLite 4x4 Electric Short Course Truck RTR

## PROLITE 4x4



The ProLite 4x4 is the first in Team Associated's exciting Qualifier Series of sport-level vehicles that are designed to be durable, easy to drive, packed with quality features and value-priced!

- Fully assembled and Ready-To-Run
- Reedy Wolfpack 8.4V NiMH battery with Deans® Ultra Plug® connector
- XP water-resistant LiPo-compatible ESC and 2.4GHz radio system with metal-gear servo and enclosed receiver box
- Heavy-duty front and rear gear differentials
- Front CVAs and rear dogbones
- Durable 32-pitch spur gear with center slipper clutch
- Adjustable steel turnbuckles
- Adjustable, fluid-filled coil-over shocks
- Composite modular chassis
- Painted and decaled short-course body

Deans® and Ultra Plug® are registered trademarks of W.S. Deans Co. U.S. Patent No. 5,533,915



ASCD71\*\* Qualifier Series ProLite 4x4 Electric Short Course Truck RTR  
 Length: 21 in (535 mm)  
 Width: 12 in (305 mm)  
 Weight: 5.8 lb (2624 g)  
 Wheelbase: 12.75 in (324 mm)

**ae**  
TEAM ASSOCIATED



With the truck you get a Reedy Wolfpack 7-cell 8.4V battery pack wired with a Deans® Ultra Plug® connector.



Plentiful power is supplied by the Reedy 550-SL 3500kV brushless motor.



Aggressive short-course racing tires mounted on 12mm hex drive KMC™ replica wheels.

### Long story short...

*The ProLite 4x4 is the sport-level short course truck that's long on performance, affordability — and most of all, FUN!*

# TEAM ASSOCIATED'S NEWEST WORLDS CAR

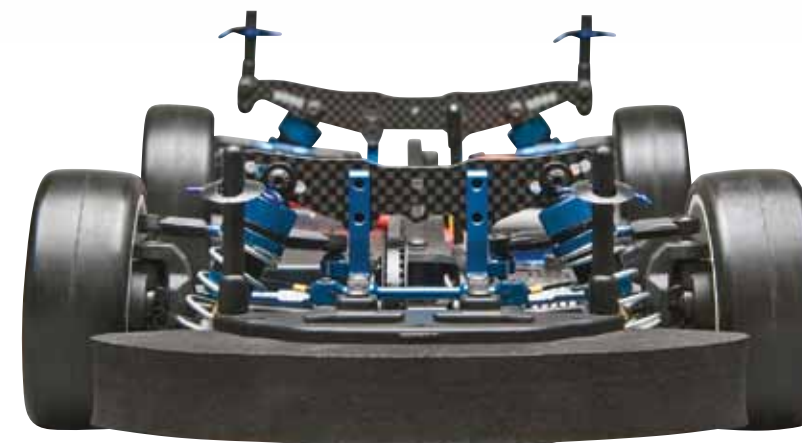
RC10TC6.1 Factory Team Worlds Car Kit



Shown with body not included.

## TC6.1 FACTORY Team WORLDS CAR KIT

Even with the 2012 R.O.A.R. National Modified Touring Car Championship in hand, the Factory Team refuses to rest on its laurels. The latest incarnation of TC6.1 technology is primed to perform above and beyond its predecessors, starting with a chassis that reduces drag during cornering and is optimized for brushless motors and LiPo batteries. A warning to the competition: the RC10TC6.1 is ready to continue the Team's championship legacy.



A low center of gravity enhances the TC6.1's track-hugging capabilities.



Factory Team vertical ballstud bearing caps with carbon-fiber shock towers are standard equipment.

- Ultra-narrow 2.25mm-thick carbon-fiber chassis
- Suspension arms designed for increased stiffness and strength
- Lightweight rear gear diff
- Multi-position steering system to fine-tune Ackermann rates
- H.D.R.C. (High Definition Roll Control) system
- VCS3 shocks with hard-anodized threaded shock bodies
- Titanium turnbuckles with ballcup eyelets
- Front spool with replaceable composite outdrives
- 16 precision ball bearings

ASCD0108 RC10TC6.1 Factory Team Worlds Car Kit

Length: 15 in (381 mm)  
 Width: 7.5 in (190 mm)  
 Weight: 3.03 lb (1375 g)  
 Wheelbase: 10 in (255 mm)



### Long story short...

The RC10TC6.1 is loaded with even more race-winning advancements than before!



## THE HOTTEST MARINE RACING ENGINE TO HIT THE MARKET!

### 21XZ-M Speed Inboard Marine Engine

- The first factory Speed-Tuned O.S. marine engine based on the 21XZ-R on-road power plant
- The DLC coated crankshaft has pressed-in tungsten weights, and is silicone filled
- The water cooled head is laser engraved with a special logo
- The 21D big-bore carb allows for the use of high-nitro fuel
- An RP7 turbo plug is included

#### OSMG1622 21XZ-M Speed Inboard Marine Engine

**Displacement:** 0.213 cu in (3.49 cc)  
**Bore:** 0.641 in (16.27 mm)  
**Stroke:** 0.661 in (16.8 mm)  
**Practical RPM:** 4,000-45,000  
**Output:** 2.8 ps/2.76 hp @ 33,000 rpm  
**Weight:** 10.85 oz (307.5 g)



### Long story short...

Factory tuning optimizes the 21XZ-M's power potential, for the race-winning performance you've come to expect from the Speed lineup!



## A FEATURE-PACKED CHARGER THAT'S STRONGER AND SAFER

### Stronghold 25 Amp DC Battery Charger

- A full 500-watt circuit, with charge rates up to 25 amps and the capability to handle input voltages up to 26V
- Easy-to-read backlit LCD screen and easy-to-use intuitive programming menu
- IR-Mode™ internal resistance test lets you keep track of LiPo pack performance
- Stronghold Containment System features a shatterproof window and interior LEDs for easy viewing during charging and discharging, along with a baffle that eliminates external charge or balance wires

#### VNRP0667 Stronghold 25 Amp DC Battery Charger



### Long story short...

The Stronghold 25 Amp DC Charger combines cutting-edge technology and improved charging safety in one package!



# LISTEN TO TUNES WHILE POWERING YOUR BATTERIES!

Medion™ Dual Output DC Multi-Charger

- A built-in media player lets you pipe in music from your iPod®, iPhone®, Android® or other music player through a standard 1/8" stereo input
- 400 watts of power via dual 200-watt circuits allows for simultaneous charging of two batteries up to 10 amps each
- IR-Mode™ tests single cell and total pack resistance values for real-time conditioning of your LiPo and LiFe packs, viewed through a backlit LCD display
- Comes with an articulating LED bench light, plus a 5V 1A USB output for charging portable devices



www.gpdealer.com

VNRP0668 Medion Dual Output DC Multi-Charger



**Long story short...**

*With the Venom Medion the party's always in your pit!*

# ENJOY PEACE OF MIND DURING CHARGING

Stronghold Solo Battery Charging Containment System

- The heavy-duty aluminum box features a self-extinguishing, shatterproof window for visual monitoring during charging or discharging
- Contains fire and gases by dissipating pressures at a controlled rate, and is rated for lithium batteries up to 60-watt hours
- A long lead balance block allows for seamless operation with your choice of charger (charger not included)



Charger not included.

VNRP0672 Stronghold Solo Battery Charging Containment System



**Long story short...**

*The best way to practice safe charging is with the Stronghold Solo Containment System!*

NEWPRODUCT

# ALL THE FUNCTIONS FLYERS DEMAND IN ONE COMFORTABLE RADIO

14SG 14-Channel 2.4GHz Computer Radio System

www.gpdealer.com



- The only 14-channel system with revolutionary 2.4GHz FASSTest technology
- Compatible with Futaba FASST and S-FHSS protocols, so you can fly with virtually any 2.4GHz Futaba air receiver
- Transmits and receives telemetry data, using Futaba telemetry sensors (sold separately) to monitor flight info, receive in-flight alerts and more
- Comfortable rubber grips minimize flyer fatigue
- Supports 3-axis gyros, making it the ideal radio for flybarless flight
- 12 proportional channels, 2 switched channels
- High-voltage R7008SB receiver included
- Many other incredible features, including user-updateable software, large 1.75" x 3" backlit LCD screen, SensorTouch™ programming, 30-model memory (unlimited using SD card), 10-character user and model naming, SD card compatibility and much more



FUTK9410 14SGA 14-Channel 2.4GHz Computer Radio Air Mode 2  
FUTK9411 14SGH 14-Channel 2.4GHz Computer Radio Heli Mode 2

# Futaba®

## From the Experts:

The 14SG is the only 14-channel system with revolutionary 2.4GHz FASSTest technology. It's compatible with Futaba FASST and S-FHSS protocols, so you can use virtually all Futaba 2.4GHz air receivers. The 14SG can also utilize optional Futaba telemetry sensors to monitor flight data, receive alerts while in flight and more. And the 14SG's flybarless gyro support makes it the perfect system for flybarless flight.

## Long story short...

**FASSTest technology. Flybarless gyro support. S.Bus servo programmability. Telemetry. The 14SG has it all...and more!**



# YOUR LAST MONTH TO GET FREE MERCHANDISE WITH AN AWESOME O.S. ENGINE!

## **GREAT O.S.® REBATE** 4-STROKE/GAS ENGINES

O.S. is known for exceptional 4-stroke and gasoline engines. And from now through December 31, 2012, when you purchase one you'll be eligible to receive up to \$100 in quality R/C products — FREE — from over 30 top brands!

### **\$100 Merchandise Certificate** with the purchase of:

- OSMG1160 — FT160 Twin
- OSMG1250 — FT300 Twin
- OSMG1307 — FR7-420 Sirius-7
- OSMG1320 — FF320 Pegasus
- OSMG1330 — IL300 Inline



OSMG1320

### **\$30 Merchandise Certificate** with the purchase of:



OSMG1533

- OSMG0877 — FS72-a Ring
- OSMG0898 — FS62V Ring
- OSMG0900 — FS95V Ring
- OSMG0930 — FS120-S-E Ring
- OSMG0935 — FS120III Ring w/Pump
- OSMG0956 — FS56-a Ring
- OSMG0981 — FS91-a Ring
- OSMG0982 — FS81-a Ring w/Pump
- OSMG0990 — FS110-a Ring
- OSMG1522 — GT22 Gas
- OSMG1533 — GT33 Gas

### **\$50 Merchandise Certificate** with the purchase of:

- OSMG0979 — FS200S-P Ring
- OSMG0980 — FS200S Ring
- OSMG0991 — FS110-A Ring w/Pump
- OSMG0998 — FS155-a Ring w/Pump



OSMG0991

### **\$20 Merchandise Certificate** with the purchase of:

- OSMG0830 — FS30S Ring



OSMG0830

Void where prohibited. Some terms, conditions and restrictions apply, and only while supplies last. Available at participating local hobby shops only. Go to [osengines.com](http://osengines.com) for official rules and the downloadable request form to have in your store. ©2012 — Hobbico®, Inc. All rights reserved.



# TX-R WILL SET YOU FREE — AND THROUGH DECEMBER 2012 ANYLINK IS FREE, TOO!

The beauty of a Transmitter-Ready aircraft is that you can fly any of them with your favorite radio! That's because Tx-R is compatible with virtually any transmitter, and each Tx-R model comes with preinstalled servos and a 2.4GHz SLT receiver that works with AnyLink. And through December 31, 2012, when you purchase a select Tx-R plane the AnyLink adapter is absolutely FREE!



GPMA1771

**A \$29.99  
retail value!**



**Tactic AnyLink Adapter  
TACJ2000**



GPMA1771 Micro F-86 Sabre EDF Tx-R  
GPMA6022 Gee Bee R-1 Tx-R



- FLZA2002 Micro Playmate Tx-R
- FLZA2012 Micro Albatros Tx-R
- FLZA2022 Micro Super Cub Tx-R
- FLZA2032 Micro Fokker Dr.1 Tx-R
- FLZA2042 Micro Nieuport 17 Tx-R
- FLZA3002 Calypso EP Glider Tx-R
- FLZA3012 Sensei EP Trainer Tx-R
- FLZA3302 Switch 2-in-1 EPTx-R
- FLZA3312 Acro-Wot MkII Tx-R
- FLZA3602 Millennium Master Tx-R
- FLZA4002 Cessna® 182 Skylane® Tx-R
- FLZA4012 Piper Super Cub Tx-R
- FLZA4022 DHC-2 Beaver Tx-R
- FLZA4032 Corsair F4U-1A Tx-R
- FLZA4302 Cessna® 350 Corvalis® Tx-R
- FLZA4312 Focke-Wulf Fw190 Tx-R



FLZA4032

CESSNA, CESSNA 350, SKYLANE, CORVALIS, emblems, logos and body designs are trademarks of Textron Innovations and are used under license by Hobbico®, Inc.

# DON'T MISS OUT ON FREE MERCHANDISE WITH A TACTIC RADIO!

Tactic radios are known for solid performance and great value — now these super systems can earn you FREE MERCHANDISE as well!

All you have to do is purchase a select Tactic radio through December 31, 2012. When you do you'll be eligible to receive a certificate worth \$10 that you can take back to your hobby retailer to use towards top-notch R/C merchandise from over 30 brands!

You win all the way around — a great 2.4GHz radio AND free R/C stuff! See your participating hobby retailer and learn more about Tactic today!

**\$10** Mail-In Merchandise Certificate

Get a \$10 Merchandise Certificate when you buy any of these radios.

# TACTIC™

2.4GHz



**TTX240**  
2-Channel 2.4GHz  
TACJ0245



**TTX600**  
6-Channel 2.4GHz  
TACJ2600



**TTX404**  
4-Channel 2.4GHz  
TACJ2404

Void where prohibited. Some terms, conditions and restrictions apply, and only while supplies last. Available at participating hobby retailers only. Go to [tacticrc.com](http://tacticrc.com) for official rules and the downloadable request form. ©2012 — Hobbico®, Inc. All rights reserved.

# REALFLIGHT 6.5 IS HERE — AND SO IS A TERRIFIC OFFER

# REALFLIGHT<sup>®</sup> 6.5

R/C FLIGHT SIMULATOR

**\$20**  
Merchandise Certificate



## Last Month!

Celebrate the introduction of RealFlight 6.5 with \$20 worth of FREE MERCHANDISE! Through December 31, 2012, when you purchase RealFlight 6.5 you'll be eligible to receive a certificate in the mail worth \$20 to take back to your hobby retailer and redeem it for quality R/C products from over 30 top brands!

The new RealFlight 6.5 version has even more upgrades, including TrueView realistic lighting, a Welcome Screen and so much more! With the super opportunity to get \$20 in free merchandise, the timing couldn't be better for purchasing RealFlight 6.5!



RealFlight 6.5 w/Airplane Mega Pack  
GPMZ4480 Mode 2  
GPMZ4481 Mode 1

RealFlight 6.5 w/Heli Mega Pack  
GPMZ4482 Mode 2  
GPMZ4483 Mode 1

Void where prohibited. Some terms, conditions and restrictions apply, and only while supplies last. Available at participating local hobby shops only. Go to [realflight.com](http://realflight.com) for official rules and the downloadable request form. ©2012 Hobbico®, Inc. All rights reserved.

# LOOK FOR THESE FEATURED ENTRY-LEVEL MODELS!

Whether you're looking for a fun model for yourself, or gift ideas for friends and family, check out the Cox Sky Ranger RTF and/or Duratrax Brushless Evader RTR. What makes these such top sellers? They're pre-assembled, inexpensive, easy-to-operate, and can be enjoyed year-round!



- Stable handling and gentle response — the ideal first airplane
- FlightFlex construction that's practically indestructible
- SafeProp damage protection from a nose-in crash

COXA6501 Sky Ranger EP RTF Park Flyer



- Brushless powered for high-speed action
- Waterproof electronics keep the fun going non-stop
- Built tough to withstand rough-and-tumble racing

DTXD37\*\* 1/10 Evader Brushless 2.4GHz RTR

# ROLL WITH THE RTRS THAT HAVE IT ALL!

**ARRMA includes the extras, so you can start bashing NOW!**

ARRMA R/C models not only come pre-built, they also come complete! No need to guess what other accessories to get — they're right inside the box. You're free to get out and get after it, with the toughest RTR vehicles around!



## VORTEX

- ARAD03BB Blue
- ARAD03NN Orange
- ARAD03RR Red
- Vortex Stadium Truck 2.4GHz RTR Battery/Charger



## GRANITE

- ARAD04BB Blue
- ARAD04GG Green
- ARAD04RR Red
- Granite Monster Truck 2.4GHz RTR Battery/Charger



## RAIDER

- ARAD01GG Green
- ARAD01RR Red
- ARAD01YY Yellow
- Raider Off-Road Buggy 2.4GHz RTR Battery/Charger



## ADX-10

- ARAD02BB Blue
- ARAD02GG Green
- ARAD02RR Red
- ADX-10 Racing Buggy 2.4GHz RTR Battery/Charger



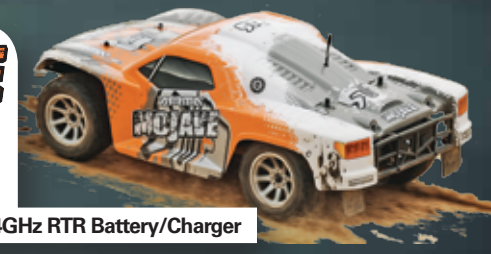
## FURY

- ARAD05BB Blue
- ARAD05PP Purple
- ARAD05RR Red
- Fury Short Course Truck 2.4GHz RTR Battery/Charger



## MOJAVE

- ARAD06GG Green
- ARAD06NN Orange
- ARAD06PP Purple
- Mojave Desert Truck 2.4GHz RTR Battery/Charger



ARRMA knows what modelers want in RTR cars and trucks:

- A streamlined, "modular" chassis — where every ARRMA RTR shares many key features
- The finest materials — all high-quality, and all rigorously tested
- Extensive parts compatibility (47%) — to keep aftermarket support simple
- A total commitment to keeping costs down
- A pledge to provide rapid product delivery and ongoing customer support
- Exciting original and scale designs
- An iron-clad 2-year warranty



**The Power Kit: standard equipment, and a real convenience!**

Every ARRMA RTR includes an Onyx 6-cell NiMH pack, "AA" batteries and an 110V AC wall charger — quality components that you don't have to purchase separately!



**Another ARRMA innovation: the adaptable transmitter!**

The ATX300 transmitter can be switched from left-handed to right-handed and back again, with the press of a button. It allows anyone to hold the radio in the way that feels most comfortable — and only ARRMA offers it.

Design Patent No. 29/384,679

**Standard on all ARRMA vehicles**



www.gpdealer.com

www.gpdealer.com

# SHORT COURSE RIDES FOR RACERS WHO WANT TO RULE!

Whether you prefer 2WD or 4WD, Team Durango has a short course truck that has been designed from the ground up for one thing: TO WIN! No shortcuts were taken to engineer vehicles that are as tough as they are fast!

## DESC410V2

1/10 Scale 4WD Electric Pro Spec Short Course Truck Kit



## DESC210R

1/10 Scale 2WD Electric Short Course Truck Kit



It's already a proven winner, and the DESC410v2 is primed to take you to the top as well. Based on the highly successful DESC410R, this kit is tricked out with the Team Durango upgrades 4WD top drivers demand.

- Low CG and perfect weight distribution front-to-rear and side-to-side, for predictably stable handling and cornering
- Race-proven layout and geometry, with an additional shock mounting hole for improved performance
- Molded composite shock towers offer the same toughness as the aluminum towers on the DESC410R, but with significantly less weight
- Aluminum chassis plate with upper chassis side rails
- Center slipper-diff that combines the differential and slipper clutch in one unit
- Machined aluminum suspension hangers front and rear
- Also included: sway bars, large and small rear bumpers, aluminum shock seal housing caps and white wheels

**TDR0140 DESC410v2 1/10 Scale 4WD Electric Pro Spec Short Course Truck Kit**  
**Length:** 21.9 in (550 mm)  
**Width:** 11.2 in (285 mm)  
**Wheelbase (adjustable):** 13.0-13.2 in (329-336 mm)  
**Weight (approx.):** 95.2 oz (2700 g)

**Requires:**  
 Short course truck body  
 550 or 540 size motor  
 ESC suitable for 2S LiPo battery and 550 motor  
 2-channel radio with high-torque steering servo  
 2S LiPo battery saddle pack  
 1/10 scale short course tires  
 Diff/shock oils

The DESC210R utilizes many of the ground-breaking features introduced on the highly successful DEX210 buggy. First and foremost is the option to position the motor mid-chassis or towards the rear, right side or left side, with a 3- or 4-gear layout — something never before seen on a short course truck.

- Big Bore shocks keep the truck nimble and planted on the track
- Aluminum shock bodies with additional blank pistons
- Durango Injection Molded Engineering Composite chassis
- Specially designed inserts offer a wide variety of rear toe-in and front caster adjustments
- Captive rear CVD driveshafts
- Ball diff standard, with optional geared diff also available
- Clear polycarbonate short course truck body

**TDR0030 DESC210R 1/10 Scale 2WD Electric Short Course Truck Kit**  
**Length:** 21.4 in (544 mm)  
**Width:** 11.4 in (290 mm)  
**Wheelbase (adjustable):** 12.6-13.0 in (321-329 mm)  
**Weight (approx.):** 70.5 oz (2000 g)

**Requires:**  
 540 size motor  
 ESC suitable for 2S LiPo battery  
 2-channel radio with high-torque steering servo  
 2S LiPo battery saddle pack  
 1/10 scale short course tires  
 Silicone shock oil

# REAL FLIGHT 6.5

R/C FLIGHT SIMULATOR



# THE PERFECT CONTROLLER FOR THE PERFECT SIMULATOR

RealFlight's InterLink Elite: what a flight sim controller SHOULD be

## INTERLINK ELITE CONTROLLER

By Futaba

Unlike the controllers found on other R/C flight simulators, the InterLink Elite is dedicated to RealFlight. It's the highest-quality simulator controller on the market, designed around an actual Futaba 6EX, with purpose-built features such as digital trims and properly positioned switches. RealFlight's interface feature lets you fly virtually with your transmitter — but using the InterLink Elite saves wear and tear on your radio, and because it never needs batteries it's always ready when you are.

If you use a flight sim controller that tries to double as a transmitter, you're coming up short both ways. RealFlight 6.5 is R/C's #1 selling flight simulator for many reasons — not the least of which is the InterLink Elite, the controller that sets the standard for all others.

**The InterLink Elite puts YOU in total control of the simulation!**

### QuickSelect™

QuickSelect calls up a sidebar that lets you choose sites, aircraft and gadgets without touching the keyboard. Your hands stay on the controller — just like they would at the flying field.



### Reset/Rewind

Only RealFlight offers Reset and Rewind; push the Reset button, and you're instantly ready to fly again. By holding down on the Reset button you can Rewind, which lets you go back to any point during your last flight for an instant do-over.



### MultiMode Option

Two pilots can fly simultaneously on the same PC and screen — one using the InterLink Elite controller and the other flying with a transmitter!



"EASY AND FUN INDOOR FLYING...THESE ARE THE PERFECT PRESENTS!"

Heli-Max<sup>®</sup>

This holiday season — and beyond — bring R/C excitement to you and yours with an ultra-compact Heli-Max model! They're precision-made with quality components and will stand up to incidental contact and come back for more. They all feature Triple Axis Gyro Stabilization (TAGS) for smooth, effortless hovering, along with Secure Link Technology that's robust, reliable and proven effective. Plus, they're available Ready-To-Fly, or as Transmitter-Ready models that you can fly with the transmitter you already own!



4 independently controlled rotors make the 1SQ incredibly easy to fly  
**Length:** 5.7 in (145 mm)  
**Width:** 5.7 in (145 mm)  
**Weight w/battery:** 1.1 oz (31.2 g)  
 HMXE0834 RTF  
 HMXE0835Tx-R



Sport flying made easy, thanks to a fixed-pitch rotor head  
**Rotor Diameter:** 9.4 in (239 mm)  
 HMXE0815 RTF  
 HMXE0816Tx-R



A full fuselage gives this machine an exciting scale appearance  
**Rotor Diameter:** 9.4 in (239 mm)  
 HMXE0813 RTF  
 HMXE0814Tx-R



The collective pitch rotor head optimizes its 3D capability  
**Rotor Diameter:** 9.5 in (241 mm)  
 HMXE0820 RTF  
 HMXE0821Tx-R



TAGS goes beyond a single-axis gyro, giving stability to the yaw, roll and pitch axes. Once you've experienced TAGS, you won't want to fly without it!



Secure Link Technology ensures a strong, clear, frequency-hopping 2.4GHz signal, with an unbreakable link between your transmitter and receiver.



TURN HERE FOR GENERAL HOBBY PRODUCTS

# BUILD THE VERY BEST FOR 2013!

Officially licensed by the Boy Scouts of America.



# PINEWOOD DERBY



Our pre-cut kits make it quick and easy to have the best racer around.

- All kits include a pre-cut wood body, axles and the only wheels the BSA® allow on their Pinewood Derby® cars
- Authentic decals of your favorite characters make detailing your racer quick and easy
- Sandpaper and snap weights make it easy to customize your car and crush the competition

### Be The BATMAN™

This fun kit comes with everything you need to build and race the BATMOBILE plus paints, brushes and mini guns for the ultimate finish! RMX9401 Trophy Series™ BATMAN™ Racer



### Get a Clue! Race for Scooby-Doo!

It's no mystery why this is a winning machine. Precision-cut shape keeps the weight exactly where you want it for the best speed. RMX9402 Racer Series™ Scooby-Doo Racer



### Seriously Fast, Incredibly Easy SUPERMAN™

Low-nosed design makes this car aerodynamic for superb speeds RMX9404 Racer Series™ SUPERMAN™ Racer



### Wrap Before You Race

- Officially licensed graphics give your car a sleek and stylish look without the hassle of complicated paint jobs
- Let us take care of the decorating and focus on making your car go fast!
- Plastic decal wraps are easy to apply and look great when you're speeding to the finish

### Jinkies! That was Easy!

It only takes a few moments to take the guess work out of your design and unmask an awesome car. RMX9409 Scooby-Doo Wrap



### It's Not Just the Design You Want, It's the Design You Deserve

Cloak your car in this wrap and you will quickly have an awesomely-detailed car that stands out from the crowd. RMX9410 BATMAN™ Wrap



### Fly Past the Competition

You can have your car ready FASTER THAN A SPEEDING BULLET, which saves you time to make it faster than a bird or a plane. RMX9411 SUPERMAN™ Wrap



See the complete line of Pinewood Derby® products at [revell.com](http://revell.com)

BATMAN: TM & © DC Comics. (s12)    SCOOBY-DOO: TM & © Hanna-Barbera. (s12)    SUPERMAN: TM & © DC Comics. (s12)

Boy Scouts of America®, the Universal Emblem BSA® and Pinewood Derby® are registered trademarks or trademarks of the Boy Scouts of America. Manufactured under license. All rights reserved. For more information on scouting, visit [scouting.org](http://scouting.org).

### 1/350 SCALE BLACK DIAMOND PIRATE SHIP

Climb aboard for a high-seas adventure

The crew of the Black Diamond lives on a cutlass' edge, sweeping the high seas of any lubber hapless enough to get in range of the long nines. This crew of sea dogs is looking for a new captain to lead them to riches, do you have what it takes? Sure you do, the one-piece hull makes it easy to get the Diamond into the seas. But beware, there's a short rope hanging from a tall mast for any who get themselves caught by the East India Company.

RMXS1971 Total Parts: 26 Skill Level: 1 Length: 11.3 in (287 mm)



### 1/24 SCALE FERRARI 599 GTO

L.A. to New York in 12 hours

The Ferrari 599 GTO tops out at 208 mph (335 km/h), that's over 300 feet (93 m) per second. Its 5999 cc V-12 engine provides more horsepower and more torque than the standard 599 and the GTO is lighter than the standard 599. Unfortunately for most of us, Ferrari is only making 599 of these cars and each sells for a price that would make an oil sheik blush. This 1/24 scale **kit features** a detailed V-12 GTO engine, six-speed transmission, open side and hood louvers and movable tires.

RMXS4034 Total Parts: 129 Skill Level: 3 Length: 7.5 in (190 mm)



### 1/32 SCALE M-41 WALKER BULLDOG

A light reconnaissance tank of the Vietnam Era

During World War II there was an arms race to develop new and better tanks. America had less advanced tanks but we could build more than anyone else. After the war, the U.S. Army decided it needed a more powerful light tank and designed the M-41. It was a tough, reliable and fast vehicle that enhanced its 76mm gun with an advanced range finder. The M-41 was deployed to Vietnam, serving with the American and South Vietnamese armies. This **kit features** opening hatches, one piece tracks and five army figures.

RMXS7814 Total Parts: 159 Skill Level: 2 Length: 9.6 in (243.8 mm)



## MONOGRAM® PLASTIC MODELS



### 1/24 SCALE 1987 BUICK GNX

Performance that makes you feel like royalty

When most people think of performance cars they think of the big sporty names like Camaro or Corvette. For much of the 1980s, however, the Buick GNX consistently beat the Corvette and Camaro in quarter-mile times. Their turbo-charged V-6s produced 245 horsepower and could vault the GNX through a quarter mile in 13 seconds. After '87 Buick got over their fast and loose phase and returned to making solid luxury coupes. **Kit features** a full suspension and longitudinal torque bar, plus full factory stock decals.

MONS4018 Total Parts: 103 Skill Level: 2 Length: 8.4 in (213 mm)





**1/24 SCALE 1964 MUSTANG CONVERTIBLE**  
The very first pony car

When the first Mustang rolled into American dealerships it wasn't just a new car, it was the herald of a complete cultural wildfire. Everyone suddenly wanted a powerful sports car and, since Ford had kept the cost so low, nearly anyone could get one. Within three months 100,000 cars had been sold. After eighteen months over a million were pulling American drivers at reckless speeds. It was the biggest revolution in automotive technology since the model T. **Kit features** an opening hood with V-8 engine, plus authentic factory stock decals.

MONS4019 Total Parts: 89 Skill Level: 2 Length: 7.4 in (188 mm)



**1/24 SCALE BOOT HILL EXPRESS**  
If you've gotta go, you might as well get there fast

This seriously twisted kit is what you get when you combine a dragster with an exceptionally ornate hearse. The beautiful wood lines and ornamentation of a carriage merge with the sheer power of a fuel-injected engine to create the fastest death wagon out there. Without a doubt, this is one hearse that will make the dead stand up and take notice. **Kit features** a skeleton figure with tombstone, single piece frame with spring suspension and full engine with injection system.

MONS4999 Total Parts: 93 Skill Level: 2 Length: 6.3 in (160 mm)



REVELL OF GERMANY® PLASTIC MODELS



**1/35 SCALE GERMAN G4 STAFF CAR**  
A six wheeled all-terrain propaganda piece for the Third Reich

As the movie camera and visual media spread, it was no longer enough to simply conquer a country; you had to look good doing it too. The extremely opulent Mercedes-Benz W31 type G4 was the tool Hitler chose for showing off the wealth and power of Germany to the world. These open-topped cars featured strongly in propaganda parades through the streets of Austria and Czechoslovakia after Germany occupied those countries in the lead-up to WWII. This **kit features** several building options, an authentic interior and decals.

RVLS3235 Total Parts: 309 Skill Level: 5 Length: 6.3 in (160 mm)



**1/32 SCALE MESSERSCHMITT BF 109 G-6**  
Nazi Germany's field modifiable fighter

Designed by Messerschmitt and Lusser in 1934, the Bf 109 was one of the first modern aircraft of the era. Features such as a liquid-cooled V-12 engine, a closed canopy and retractable landing gear made the Bf 109 a huge improvement over WWI fighters. The "G-6" variant, which appeared late in WWII, had a more powerful engine with superchargers and also came with many field adjustment kits. These kits allowed the G-6 to be fielded with extra guns, rockets, bombs or extra fuel tanks, making it a highly versatile fighter.

RVLS4665 Total Parts: 200 Skill Level: 5 Wingspan: 12.2 in (311 mm)

### 1/32 SCALE HEINKEL HE 219 A-7/A-5/A-2

Patrol the darkened skies over Germany

The He 219 was a predator; its highly-precise radar array let it hunt down British bombers in the dark skies over Germany. On its first mission, the first He 219 shot down six British bombers and returned to base. Fortunately for the Allies, less than three hundred of these ferocious fighters were ever produced. **Kit features** all new moldings, a detailed cockpit, ejector seat, control panels, aiming units, separate flaps and rudders, antennas for two optional radar systems and decals to mark the model as one of four planes.

RVLS4666 Total Parts: 261 Skill Level: 5 Wingspan: 22.8 in (578 mm)



### 1/144 SCALE BOEING 747 SCA & SPACE SHUTTLE

Need a lift? NASA could sure use one

Shuttle Carrier Aircraft were first used in 1977 to test fly the first Space Shuttle. Only the 747, with its massive wingspan, quadruple landing gear and powerful engines, could take off while carrying the extremely heavy shuttle. SCAs flew over 220 missions with attached shuttles over the program's lifetime. As the shuttle program drew to a close, 747s hauled the Discovery, Enterprise and Endeavour to the museums where they will be housed. **Kit features** textured surfaces, detailed parts and authentic decals.

RVLS4863 Total Parts: 119 Skill Level: 5 Wingspan: 16.6 in (422 mm)



### 1/72 SCALE F/A-18F SUPER HORNET TWIN SEATER

Build the best of the beasts

Despite its name, the Super Hornet has little in common with the original Hornet. The Super Hornet is 20% larger; it can carry more armaments and a wider variety of them. It can also be used as a refueling tanker. All those features mean that the Super Hornet has not only surpassed the Hornet, but also taken over the roles of several other Navy airplanes. This **kit features** detailed surfaces, cockpit, ejection seats and undercarriage, plus ECM pods and a wide selection of missiles and bombs.

RVLS4864 Total Parts: 97 Skill Level: 4 Wingspan: 7.4 in (187 mm)



### 1/48 SCALE UNMANNED AERIAL VEHICLE MQ-9 REAPER

Unleashing Hellfire on the enemy... literally

The MQ-9 Reaper is fully capable of carrying fourteen 100 lb (45 kg) Hellfire missiles for four hours. Powerful optics let it spot a license plate from two miles away. And the best part is the pilot of a Reaper can insert a missile into the tailpipe of a Taliban truck in Afghanistan from the comfort and security of an armchair in Nevada. **Kit features** detailed surfaces and undercarriage, rotating rear propeller, four underwing pylons, two GBU-12 bombs, four Hellfire guided missiles and authentic USAF decals.

RVLS4865 Total Parts: 77 Skill Level: 3 Wingspan: 16.5 in (420 mm)





## 1/48 SCALE REPUBLIC P-47N THUNDERBOLT

Fly a WWII juggernaut

At nearly 10,000 lbs (4,536 kg) empty the P-47 Thunderbolt never should have gotten off the ground. But the Thunderbolt didn't just fly, it was also able to defeat German and Japanese fighters. The model was even credited with downing several early jet-powered aircraft. This heavily-armored, eight .50 caliber MG-armed beast was upgraded so that the P-47N could escort B-29 bombers on 2,000 mile (3,220 km) raids. This **kit features** detailed surfaces, cockpit, undercarriage and 18-cylinder engine plus missiles, bombs and decals for two USAAF planes.

RVLS4867 Total Parts: 106 Skill Level: 4 Wingspan: 10.6 in (270 mm)



## 1/144 SCALE GERMAN SUBMARINE TYPE IIB

Turning pups into Sea Wolves

After WWI, Germany was forced to turn over all of its submarines to the Allies and agree to not produce any more submarines for its navy. In secret, Germany continued research and development on submarines. The Type II was one of the first submarines constructed by Germany after WWI and it served as a trainer for the Wolf Packs that ravaged Allied shipping in the Atlantic. This **kit features** two conning towers, vents, periscope, 20 mm anti-aircraft gun and a display stand plus decals for three subs.

RVLS5115 Total Parts: 60 Skill Level: 4 Wingspan: 11.6 in (296 mm)



## 1/100 SCALE KAMOV-HOKUM KA-50 "EASY KIT"

Russia's "Black Shark"

The Russian Ka-50 is the only single-seat attack helicopter in the world. Its combination of light weight, dual rotors and excellent navigational electronics make it fast and efficient. At the same time, its wide array of weapons make it ideal for ground support and it can be used for anti-air missions. After the collapse of the Soviet Union, the production run for the Ka-50 was dropped from hundreds to under ten. Despite their limited numbers, the copter was used to great effect against Chechen Rebels in 2001.

RVLS6648 Total Parts: 30 Skill Level: 2 Length: 5.7 in (145 mm)



## 1/100 SCALE F-15 EAGLE "EASY KIT"

The score is 100 to 0 and climbing

At 35 years old, the F-15 Eagle is one of the most venerable jet fighters in the USAF and one of the most venerated. Amongst the list of the fighter's accolades is the fact that, over its entire operational history, no F-15 has ever been lost to enemy action. In fact the F-15 has over 100 kills for zero losses to aerial action. More than any other single factor, near-perfect maneuverability accounts for the Eagle's supremacy. No respectable collection of fighter aircraft should be without this peerless fighter plane.

RVLS6649 Total Parts: 17 Skill Level: 2 Wingspan: 5.2 in (131 mm)



### 1/24 SCALE KENWORTH DUMP TRUCK Getting the world moving, one truck-load at a time

Anywhere something needs to be built, torn down or transported, you can expect to see a dump truck. These multi-axle machines move millions of meters of bulk material each year in America. Most manufacturers make these machines as practical heavy-haulers, but many operators choose to decorate their rig in more exotic styles. This **kit features** a detailed six-wheeled chassis, multi-part eight cylinder engine, movable hood, detailed cab, movable chrome bed with tailgate, 10 tires, rotating wheels and decals with US markings.

RVLS7406 Total Parts: 295 Skill Level: 5 Length: 13 in (331 mm)



NEW RELEASES

Hobby kits

### 1/350 SCALE I.J.N. SUBMARINE DEPOT SHIP HEIAN MARU From passenger liner to Pacific wreck.

The Heian Maru was originally built to be a passenger liner and cargo ship. Just before the outbreak of WWII, the ship was armed and became a submarine depot ship. For most of the war, the ship served as a transport and cargo ship. After being struck five times with explosive ordnance on February 17-18, the ship sank in Truk Lagoon. This limited edition **kit features** many new guns, boats and photo-etched accessories, plus decals to mark the ship as I.J.N. 1st/8th Submarine Fleet depot ship Heian Maru/Hie Maru 1942-1943.

40082 HSGS0082 Total Parts: 360 Skill Level: 3



### 1/12 SCALE MEETING ROOM DESK AND CHAIR Serious seating for serious settings

Hasegawa released these desks and chairs for the 1/12 scale market so that 1/12 scale model aficionados can build realistic scenes for their models. The two desks and four chairs in this snap-together kit are perfect for creating any scene that requires seating. No gluing or painting is necessary, so you can give your layout a lifelike appearance quickly and easily. supplies the parts, you supply the imagination.

62002 HSGS6202 Total Parts: 42  
Desks: Height: 2.4 in (61.5 mm); Width: 5.9 in (150 mm)  
Chairs: Height: 2.6 in (65.6 mm); Width: 1.6 in (39.6 mm)



### 1/12 SCALE OFFICE DESK AND CHAIR They work and you play

Take the dull out of your diorama with a touch of scale realism. This 1/12 scale model is perfect for creating an office scene that requires seating. Aficionados of 1/12 scale modeling will appreciate the quick setup and great scale looks of this set. Because this is a snap together kit, no gluing or painting is necessary. You can give your layout a new, more realistic appearance quickly and easily. is glad to supply the sets that fuel your imagination.

62003 HSGS6203 Total Parts: 29  
Desks: Height: 2.5 in (64.6mm); Width: 3.5 in (88 mm)  
Chairs: Height: 2.6 in (66.5mm); Width: 2.2 in (54.8 mm)



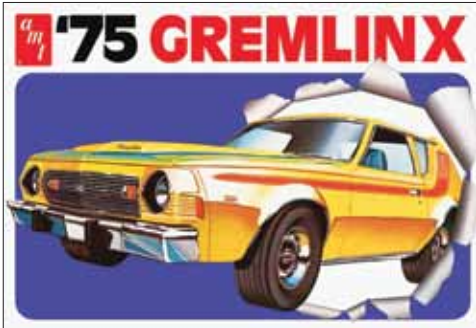


## Academy 1/35 Scale U.S. Army RQ-7 UAV

*The American Military's eye in the sky*

You may not see it, but it certainly sees you. Unmanned Aerial Vehicles are a relatively recent phenomenon in the military world, the RQ-7 being one of the earliest models. This UAV is built for reconnaissance, its electro-optic infrared camera lets operators view a huge radius and give advanced warning of any threats. The newest models of the RQ-7 are armed with bombs for engaging ground threats. This **kit features** a detailed engine, realistic fixed tricycle landing gear, two US Army figures, a display stand and Cartograf® decals.

12117 ACYS1217

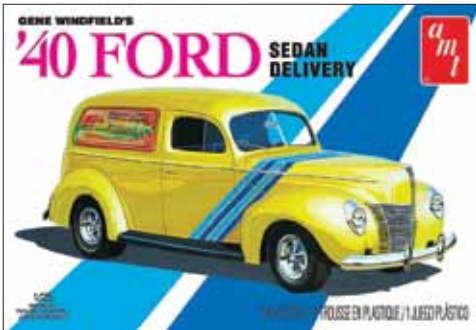


## AMT® 1/25 Scale 1975 AMC Gremlin

*Ground Force One for two future American Presidents*

With a name like Gremlin, this car should have been plagued by mechanical problems. Fortunately, the Gremlin was a reliable, fuel-efficient car that was liked by the public. It was even driven by both Bill Clinton and George W. Bush. The stock Gremlin wasn't a performance car. Its 0-60 mph time was 12 seconds, but it was a cheap and efficient vehicle that was frequently modified into a racer. This **kit can** be built stock or racer style and features optional tinted windows, engine intake, racing slicks and original decals.

AMT768/12 AMTS0768 Skill Level: 2



## AMT® 1/25 Scale Gene Winfield 1940 Ford® Sedan Delivery

*Shipping your stuff from site to store*

The original "delivery" modified vehicles were made in the forties as manufacturers of delivery vans were producing vehicles for WWII. Car companies simply deleted the rear windows with sheet metal and removed seating to add cargo space. This trend has carried over into the present day; small businesses use these vehicles for bulk transport. Gene Winfield designed this radical Ford Sedan Delivery while he was working as a full scale vehicle designer for AMT. This **kit features** engine intake and wheel options, racing slicks and original decal artwork.

AMT769/12 AMTS0769 Skill Level: 2



## AMT® 1/25 Scale Chevrolet® Corvette® Convertible/Coupe Double Kit

*Can't choose between the convertible and the coupe? You don't have to*

Corvettes are some of the most attractive cars on the market, but, as any Corvette fanatic could tell you, their beauty isn't only frame deep. The newest Corvettes frequently feature engines in excess of 500 horsepower, perfectly tuned suspensions and many other performance-enhancing extras. Unlike the Ferraris and Lamborghinis of the European car market, Corvettes are even within the reach of many a gearhead around the country. This **kit features** newly tooled wheels, chrome parts, black vinyl seats and tires and detailed decals.

AMT786/12 AMTS0786 Skill Level: 2



## AMT® 1/25 Scale Three Stooges® 1940 Ford® Sedan Delivery

*Fresh canned laughs delivered straight to your door*

For nearly one-hundred years, the Three Stooges have been bringing laughter to America. Their combination of physical, slapstick comedy and incredible hijinks have left critics' noses in the air and audiences rolling on the floor. Many of the Stooges' most memorable short films involved the troublesome trio starting doomed businesses. You can decorate this 1940 Ford Sedan with the logo for some of those businesses, like the "Hook, Line, and Sinker" fresh fish corp. This **kit features** many custom car parts and full color Three Stooges decals.

AMT791/12 AMTS0791 Skill Level: 2

## AMT® 1/32 Scale Hulk® Monster Truck Kit

*A simple build that won't make you angry*

Introduce a new modeler to the hobby with this quick-building skill level one kit; or take time out from building your 1/3 scale Lusitania with a model that doesn't make you want to Hulk-smash everything in reach. This big, green car-crushing machine is a breeze to build, wonderfully detailed and perfect for getting kids into a hobby that will inspire and excite them. The **kit features** easy snap-together assembly, monster truck tires, purple and green molded parts, a chrome front grille and full color Hulk decals.

AMT792/12 AMTS0792 Skill Level: 1



## AMT® 1/25 Scale Shelby® Cobra® 289 Roadster

*The definitive sleek sportster of the sixties*

The Cobra MkII was the perfect combination of European frame and American engine building. A 289 cu in engine provided more than enough power to make the Cobra a super sports car. Its transverse leaf spring suspension improved the feel of the ride by making the wheels react independently from one another. This **kit features** the option to build it as stock, custom or drag, plus real metal fuel injection ram tubes, Goodyear® tires and drag slicks and original "fang" decals.

AMT793/12 AMTS0793 Skill Level: 2



## AMT® 1/350 Scale Star Trek® USS Enterprise® Supplemental Parts Pack

*Boldly build what no modeler has built before*

This pack includes every piece you need to make your Polar Lights 1/350 Enterprise model as distinct from every other model as the original series is from "Deep Space Nine®". This kit adds nacelle and bridge detail to your Enterprise model. If you want to create a model that is a fully authentic replica of the original Enterprise, pick up this supplemental parts pack today. This **kit features** parts molded in gray and clear plastic with a full decal sheet.

AMT004/06 AMTS9004 Skill Level: 2



## AMT® 1/350 Scale Star Trek® USS Enterprise® Photo-Etch Parts Pack

*Build the most detailed Enterprise since the original*

Photo-etched brass stripping gives your 1/350 Scale USS Enterprise model a level of authenticity and realism that you just can't get from a base kit. If you are going to build a scale model, you want it to be as real as is physically possible. This parts pack lets you do just that. The detail on each facet of the venting screens is crisp and intricate, even better than watching the original series in high definition! This **kit features** .005" photo-etch brass parts and optional Star Trek logos.

AMT009/12 AMTS9009 Skill Level: 2



## Airfix® 1/72 Scale Douglas Dauntless SBD

*The machine that daunted and dented the IJN*

The Douglas Dauntless was outclassed by the Japanese Zero, but it soldiered on. At the Battle of Midway, the Dauntless broke the back of the Japanese carrier fleet, sinking four in a single day. The Dauntless sank more Japanese ships than any other single plane and helped the U.S. win WWII. Now you can build your own Douglas kit that **features** decals for a Douglas SBD-3 Dauntless, VB-6, USS Enterprise (CV-6), Midway Atoll, June 1942 and a Douglas A24B Dauntless (SBD-5), Groupe de Chasse-Bombardement 1/18 'Vendee', South France, 1944.

02022 ARXS2022 Total Parts: 51 Skill Level: 2 Wingspan: 6.9 in (175 mm)





## Airfix® Cutty Sark Starter Set

*Build the fastest tall ship in Britain*

Well after the steamship was invented, the Cutty Sark was still the fastest ship on the seas. Her brass-clad hull cleaved the waves as taut sails pulled her at 17 knots. The ship hauled thousands of tons of tea every year for her owners. After the tea trade was taken over by newer ships, the Sark endured as a training ship and a museum. Now you can build the Cutty Sark! This **kit features** four acrylic paints, glue and a brush to assemble and decorate the world's fastest clipper.

55103      ARSX5513      Skill Level: 2

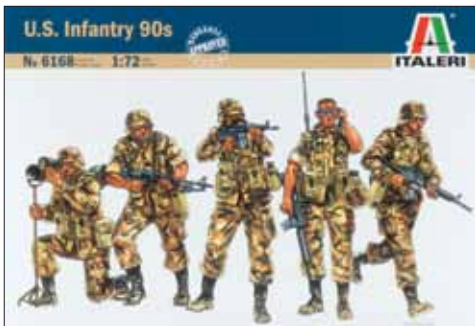


## Airfix® HMS Victory Starter Set

*Build the oldest and best-known warship in the world*

Though she was originally built in 1759, the HMS Victory is still a commissioned warship over 250 years later. This 104-gun ship of the line has been the flagship of many admirals, including Admiral Nelson during the Battle of Trafalgar. The Victory served a pivotal role at Trafalgar, which ended the French naval threat to Britain. Build this enduring symbol of the strength of Britain today! This **kit features** four acrylic paints, glue and a brush to assemble and decorate your HMS Victory.

55104      ARXS5514      Skill Level: 2



## Italeri® 1/72 Scale '90s US Military Figures

*Gotta' have the boots if you want to kick the butts*

Decades of astounding military expenditures following WWII resulted in the U.S. having the most technologically sophisticated military in the world. But no matter how much you spend, one thing still doesn't change. You still have to have men on the ground if you want to impact the situation. The men represented by these figures provided that impact, in Kuwait and Iraq, in Somalia, in Bosnia and in numerous other countries that the U.S. intervened in. This **kit features** 50 unpainted figures in numerous poses.

556168      ITAS6168      Skill Level: 2



## Italeri® 1/72 Scale Soviet Special Forces '80s

*Experts on Asiatic land warfare*

The losses suffered by the Red Army in World War II convinced the Soviets that they needed to supplement their regular army forces. New army groups were trained in special tactics; they became the Soviet Special Forces, or Spetsnaz. By the '80s, the Spetsnaz had ballooned from just over five-thousand men, to a staggering force of sixteen brigades. Soviet high command extensively relied on the special training, tactics and equipment of the Spetsnaz during the decade-long Soviet-Afghan war. This **kit features** 50 unpainted figures in numerous poses.

556169      ITAS6169      Skill Level: 2



## Maisto® 1/24 Scale Assembly Line 2013 Dodge® Viper GTS®

*This car is so new you'd spank it if it wouldn't bite back*

The Dodge Viper GTS was designed, not only as a sports car, but as a true work of art. It has been turning heads ever since its unveiling at the 2012 New York Auto Show. An all-leather interior, six-spoke wheels and Kevlar® shell racing seats are just a few of its upgrades. With a top speed of over 200 mph (320 km/h), it is guaranteed to blow your hair back. This **kit features** a diecast metal body with plastic parts, extra wheels and the hood can be open or closed.

MAI39271      MAIS9271      Skill Level: 2

# Plastic Models

## Moebius® 1/25 Scale International® ProStar® Semi Tractor

*The star of international freight hauling*

With all of its outstanding features it's no surprise that the ProStar is one of the best-selling Class Eight trucks in North America. Some of its perks over other semis include reduced wind resistance, decreased cabin noise and increased storage capacity. Plus, its new MaxxForce® Advanced emissions system reduces harmful nitrous oxide emissions by rerouting cooled fumes back into the engine. Slide one of these precision-molded beauties together today! This **kit features** a super-detailed MaxxForce 15 engine, detailed chassis, detailed interior and precision tooled parts.

1301 MOES1301 Total Parts: 270 Skill Level: 3 Length: 12.8 in (325 mm)



## Moebius® Finished Battle Star Galactica Viper MKVII

*Save your ship from Cylons!*

The newest weapon in the fight for humanity's survival is the Viper MKVII. According to the show, this vessel is capable of space and atmospheric flight. It wields an astonishing array of weapons from simple missiles all the way to nuclear warheads. These tough ships have helped stave off the devastation of the human race for years and with your help they will yet halt it for years to come. This assembled and painted plastic replica **features** authentic detailing and launch tube packaging perfect for display!

2916 MOES2916 Length: 12 in (305 mm)

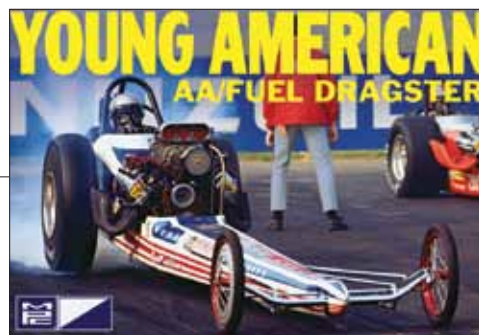


## MPC® 1/25 Scale Carl Casper's Young American Dragster

*Finally re-released after forty years!*

Get this re-issue of the Original Young American Dragster set today and build a model that your buddies will envy for years! Americans have an obsession with going places and, more than any other nation, they have an obsession with getting there fast. No surprise then, that Carl Casper's Young American dragster frequently exceeded 300 mph (480 km/h). This **kit features** a super-long vintage rail dragster with pre-lettered drag slicks, extensive decals and a bonus collector card with vehicle information.

MPC760/12 MPCS0760 Skill Level: 2



## MPC® 1/25 Scale 1974 Plymouth® Road Runner S.E. Tin

*Every coyote's favorite!*

Someone should have told that poor coyote that all he needed was a 440 cu. in. 7.2L V-8 engine coupled to a 4-speed manual transmission and racing slicks. It would have all been over but the plucking. If rocket powered skates just aren't quite getting you there, it's time to upgrade to this collector's edition kit. Forget ACME, buy MPC! This limited edition **kit features** a special collector's edition tin, a painted 4.5 in. (114 mm) tall Road Runner® figure and colorful decals.

MPC781/06 MPCS0781 Length: 8 in (203 mm) Total Parts: 80 Skill Level: 2

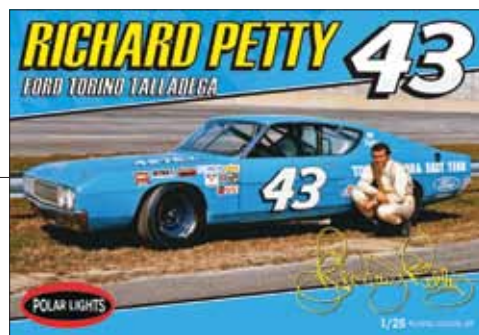


## Polar Lights® Richard Petty® NASCAR® Ford® Torino® Talladega®

*Build a proven race-winner*

Ford designed the Talladega as a more aerodynamic version of their full-production Torino and Fairlane® lines. In order to compete in the NASCAR circuit, at least 500 Talladegas had to be released to the general public. Only around 750 Talladegas were produced, but each was a proven winner. Racing models were equipped with Boss® 429 engines which powered the Talladega to 29 Grand National wins in 1969 and 1970. "The King" of NASCAR racing, Richard Petty, won 10 races in a Ford Talladega between '69 and '70.

POL896/12 PLLS8096 Skill Level: 2





**MAIC1068**  
SRT® Viper GTS

## Maisto® 1/24 Scale RTRs

*Sleek, stylish and ready-to-run!*

- Dashboard controllers make them easy to drive
- Detailed bodies and trim add eye-catching realism
- Available in different frequencies, so you can race against friends
- Both require four "AA" batteries

Also Available:  
**MAIC1067** Aston Martin® Vantage S

**70338**  
**AFXW0338**  
Collector's Series  
Peugeot 908 SPA #3  
HO Scale Slot Car



## AFX® Collector's Series Peugeot 908 SPA #3 HO Scale Slot Car

*Fast. Efficient. Fun!*

- Low and narrow body style for ultimate speed and performance on any track
- Incredibly accurate paint job makes it a great display item. It looks even better on the track!
- A low center of gravity and powerful neodymium ground effects magnets keep this slot car under control through corners and on the straights

**70340**  
**AFXW0340**  
Collector's Series  
GT40 #4 Donohue  
Clear HO Scale



## AFX® Collector's Series GT40 #4 Donohue Clear HO Scale

*Exceptional speed, exceptional style*

- Flat body style for ultimate speed and performance on any track
- Features clear windows and a photo-realistic interior that looks just like the real Donohue race car!
- Fully painted, detailed and assembled and ready to conquer the competition

**70342**  
**AFXW0342**  
Highway Patrol  
#213 HO Scale



## AFX® Highway Patrol #213 HO Scale

*The competition might as well pull over*

- Adjustable motor timing lets you customize your car to the course conditions
- Zip to the front of the pack with phosphor bronze pick-up shoes, hug corners with extra-long polymer magnets and beat back the pack with a cantilevered brush precision motor



**63513**  
**BACU2130**  
EMD GP40 CSX® #6214  
(Dark Future) HO Scale

## Bachmann® EMD GP40 CSX® #6214 (Dark Future) HO Scale

*Nothing but bright skies ahead of this diesel locomotive*

- Exceptionally authentic "Dark Future" CSX paint scheme
- Eight-wheel drive powertrain can haul the heaviest cars
- Tough diecast body construction for years of flawless runs

## Bachmann® CSX® 56' ACF Center Flow Hopper HO Scale

*Carrying cargo from St. Louis to the East Coast*

- Highly detailed railcar with authentic decals and design features
- Blackened metal wheels add to the scale realism of this model
- Body-mounted couplers and non-magnetic axles keep this hopper attached to what you want, and not to anything else!



**17501  
BACU3473**  
CSX® 56' ACF Center  
Flow Hopper HO Scale

## Bachmann® Boston & Maine #1545 Alco RS-3 Diesel Locomotive HO Scale

*Rugged. Versatile. Dependable*

- DCC On Board® for speed, direction and lighting. Includes a dual-mode NMRA®-compliant decoder with 8-pin plug
- Features a diecast chassis, all-wheel drive, a precision can motor, dual precision-balanced flywheels and super-quiet helical cut gears
- Other details include directional headlights, E-Z Mate® Mark II couplers, blackened metal wheels, RP25 wheel contours, metal cut wheels and finescale handrails



**64201  
BACU5201**  
Boston & Maine #1545 Alco RS-3  
Diesel Locomotive HO Scale

## Lionel® 2012 Holiday Boxcar O Scale

*Get it before it's gone!*

- Features a metal frame and opening doors
- Equipped with diecast metal sprung trucks and operating couplers
- Length: 10.5 in (267 mm)



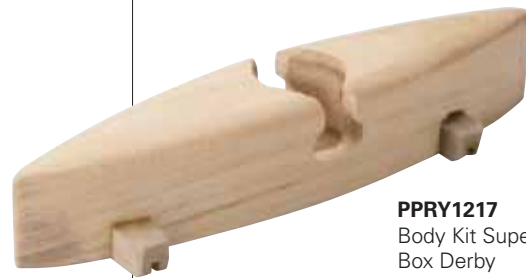
**6-29976  
LNLU9976**  
2012 Holiday Boxcar  
O Scale

## Pine-Pro® Super Box Derby Cars

*Build a racing legend*

- A racer slot is pre-cut into the wood
- Fine-grain soft wood is pre-cut in race-winning shapes
- Axle grooves are pre-drilled for perfect wheel alignment
- The deluxe kit includes wheels and axles, just sand and paint for an awesome racer!

**Also Available:**  
**PPRY1218 Deluxe Body Kit Super Box Derby**



**PPRY1217**  
Body Kit Super  
Box Derby

## PineCar® Racing Accessories

*Maximize your winning potential*

- Tools – like the **Axle Shaper** and **Wheel Lathe** – help you mold your derby racer into a trophy-winning design
- The **Aerodynamic Racer Weight™** set includes segmented tungsten weights which can be broken off in 1/16 ounce increments

**Also Available:**

PINY4611	P4611	Axle Placement Guide
PINY4612	P4612	Axle Shaper
PINY4613	P4613	Straight Tracker
PINY4614	P4614	Total Hub Shaper
PINY4615	P4615	Wheel Lathe
PINY3926	P3926	Aerodynamic Racer Weight



**PINY4610**  
P4610 Axle Slot Jig



**PINY3962**  
Tuner Car



**PINY3964**  
Italian Sports Car



**D10075X3  
SCXW1375**  
1/32 Scale Digital  
System Chevy®  
Corvette® C6R®  
"Valeo®"



**D10078X3  
SCXW1378**  
1/32 Scale Digital System  
BMW® M3 GT2 "Auberlen"



**A10075X3  
SCXW3075**  
1/32 Scale Chevrolet®  
Corvette® C6.R™

## PineCar® Pre-Cut Designs®

*Take the work out of winning*

- Cut from premium fine-grain soft wood to race-winning shapes
- Pre-drilled axle grooves give your wheels perfect alignment
- Just attach the wheels, sand and paint for an awesome racer!

**PINY3962 Tuner Car**  
**PINY3963 Muscle Car**  
**PINY3964 Italian Sports Car**  
**PINY3971 Stock Car**  
**PINY3972 Wafer**  
**PINY3973 4x4 Race Truck**  
**PINY3974 American Classic**



**PINY3973**  
4x4 Race Truck



**PINY3974**  
American Classic

## SCX® 1/32 Scale Digital System Chevy® Corvette® C6R® "Valeo®"

*Slot car racing at its best!*

- Digital technology lets you change lanes to lap your opponents
- Xenon-effect headlights brighten your path to the finish line
- Includes a detailed chassis, an A.R.S. guide with suspension and a removable, adjustable magnet

## SCX® 1/32 Scale Digital System BMW® M3 GT2 "Auberlen"

*Fight for the finish line!*

- Change lanes with cutting-edge digital tech!
- Installed Xenon-effect headlights illuminate the way
- Features a detailed chassis, an A.R.S. guide with suspension and a removable, adjustable magnet

## SCX® 1/32 Scale Chevrolet® Corvette® C6.R™

*Geared up for grand tourer racing!*

- Compatible with 1/32 scale analog slot car tracks
- Bright Xenon-effect headlights shine as you slide past your opponents
- Features a detailed chassis, an A.R.S. guide with suspension and a removable, adjustable magnet

## ATLAS® TRAINMAN® MIXED FREIGHT TRAIN SETS HO SCALE

All-in-one and ready-to-run!



- Locomotives include true scale dimensions, accurate details, a five-pole skewed armature motor with dual flywheels, diecast underframes, AccuMate® couplers and separately applied hand rails and end railings. BNSF adds directional lighting

- All rolling stock features true scale dimensions and accurate details
- 4' x 3' (1.2 m x 0.9 m) oval Code 83 True-Track layout
- Set also includes a power pack, how-to book, a warranty card and instructions

0043 ATLU0043 BNSF®  
0045 ATLU0045 CSX®



### Long story short...

Two of today's largest freight railroad companies come to life in these fully stocked, ready-to-run sets from Atlas Trainman!

## BACHMANN® RINGLING BROS. & BARNUM & BAILEY® CIRCUS RINGMASTER HO SCALE

Today's best "Big Top" event!



- An 0-6-0 steam locomotive and tender with operating headlight
- Rolling stock consists of a performers' car, a water tank car, a horses' stock car and a bobber caboose. All feature body-mounted E-Z Mate® couplers

- 47" x 38" (119 cm x 97 cm) oval E-ZTrack® layout
- Speed controller features plug-in wiring
- Power pack and illustrated instructions are also included

00714 BACU0714 Ringling Bros. & Barnum & Bailey® Circus Ringmaster HO Scale

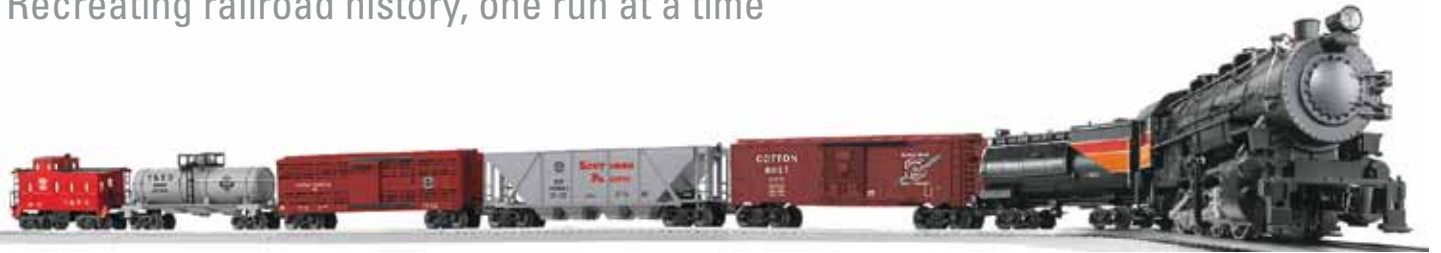


### Long story short...

The Ringmaster packs "Big Top" fun in a compact, HO scale package. Want to join the circus? Here's your chance!

# LIONEL® SOUTHERN PACIFIC® MERGER SET O SCALE

Recreating railroad history, one run at a time



www.gpdealer.com

- 0-8-0 steam locomotive features a RailSounds® RTR sound system, forward/reverse/neutral modes, operating headlight, smoke, Vanderbilt tender, and two figures
- Includes a highly detailed boxcar, a 4-bay "quad" hopper, a stock car, a tank car and a caboose. All have operating couplers; all (except the caboose) have diecast metal sprung trucks
- 40" x 60" (102 cm x 152 cm) FasTrack® layout
- Set also includes a CW-80 transformer

6-30167 LNLU0167 Southern Pacific® Merger Set O Scale



## Long story short...

*The Southern Pacific Merger set has everything budding conductors need to roam the rails right out of the box!*

# LIONEL® ROCK ISLAND ROCKET FREIGHT SET O SCALE

Thunder across the Great Plains



- FT diesel locomotive features a RailSounds® RTR sound system, forward/reverse/neutral modes, two motors, operating headlight, operating couplers, interior lighting and two figures
- Includes a boxcar, a 4-bay "quad" hopper, an Allis-Chalmers® heat exchange car and an extended vision caboose. All have operating couplers; all (except the caboose) have diecast metal sprung trucks
- 40" x 60" (102 cm x 152 cm) FasTrack® layout
- Set also includes a CW-80 transformer

6-30179 LNLU0179 Rock Island Rocket Freight Set O Scale



## Long story short...

*Make your way across the Midwest with the Rock Island Rocket Freight – the ready-to-run set with dynamite detail!*

# LIONEL® KCS SOUTHERN BELLE FREIGHT SET O SCALE

The Kansas City Southern, ready to shuffle



- GP-38 diesel locomotive features a RailSounds® RTR sound system, forward/reverse/neutral modes, two motors, a metal frame, an operating headlight and dual operating couplers
- Includes a high-cube boxcar, a single-dome tank car, a two-bay ACF hopper and a caboose. All have operating couplers; all (except the caboose) have diecast metal sprung trucks
- 40" x 60" (102 cm x 152 cm) FasTrack® layout
- Set also includes a CW-80 transformer

6-30186 LNLU0186 KCS Southern Belle Freight Set O Scale



## Long story short...

*This exciting ready-to-run set recreates one of history's most enduring railroads in dynamic detail!*

# LIONEL® GRAND CENTRAL EXPRESS SET O SCALE

New York's legendary landmark turns 100

- FT diesel locomotive features a RailSounds® RTR sound system, forward/reverse/neutral modes, two motors, operating headlights, dual operating couplers, an illuminated cab interior, and two figures
- Includes two coach cars and an observation car. All feature diecast metal trucks and operating couplers
- 40" x 60" (102 cm x 152 cm) FasTrack® layout
- Set also includes a CW-80 transformer



6-30195 LNLU0195 Grand Central Express Set O Scale



## Long story short...

*Celebrate a century of Grand Central Terminal – one of the world's most iconic transportation hubs – with this feature-packed, ready-to-run Lionel set!*

# AUTO WORLD® 1/64 LEGENDS OF THE QUARTER MILE™ PRO RACING DRAGSTRIP

Nonstop NHRA® funny car action!

- Drive Raymond Beadle's "Blue Max" Ford® Mustang® or "Jungle Jim" Liberman's Chevy® Camaro®!
- Comes with a complete 13' (4 m) layout of 1/64 scale slot car track
- Two variable-speed controllers make it easy for drivers to get in on the action
- Set also includes a full-function electronic Christmas tree, in-track electronic sensors, plus "False Start" and "Win" indicators



SRS257/03 RDZW0257 1/64 Legends of the Quarter Mile™ Pro Racing Dragstrip



## Long story short...

Two fan favorites come together in this Pro Racing Dragstrip set. It's the perfect gift for funny car fans of all ages!

# AUTO WORLD® BATMAN® PURSUIT OF THE PENGUIN SLOT CAR SET

Chill with the Penguin. Fight crime with Batman and Robin

- Chase the Penguin's VW® Bus through the streets of Gotham City® with the '66 Batmobile®
- 18' (5.5 m) track layout features a big 15" (38 cm) loop – multiple set-up options possible!
- Two variable-speed controllers let anyone enjoy the Bat-tastic action
- A Gotham City cardboard backdrop and a Batman and Robin sticker sheet add colorful comic book detail
- 90 track support pillars, 18 flagpoles with stickers, an AC power pack and a track cleaning pad are also included for your convenience



SRS258/03 RDZW0258 Batman® Pursuit of the Penguin Slot Car Set



## Long story short...

The Dynamic Duo returns in this spectacular slot car set that's guaranteed to wow any Batman fan!

# START A NEW FAMILY TRADITION

Ready-to-run train sets make fun and festive additions to your décor!

## Bachmann® Rail Boss 0-6-0 Steam Set HO Scale

Show the rails who's boss this Christmas with this feature packed set!

This set features an 0-6-0 steam locomotive and tender with realistic Pennsylvania Railroad markings. Rolling stock includes a gondola, plug-door box car and bobber cabooses— all equipped with E-Z Mate® knuckle couplers. A full 36 in. (914 mm) circle of snap-fit E-ZTrack® assembles quickly and easily so you can have your train running in minutes!

BACU0687 Rail Boss 0-6-0 Steam Set HO



## Bachmann® Ringling Bros. & Barnum & Bailey® Circus Ringmaster HO Scale

The "Big Top" event of this holiday season!

This fun set features an 0-6-0 steam locomotive and tender with an operating headlight to lead the way to year-round fun. Authentic rolling stock consists of a performer's car, water tank car, horses' stock car and a bobber cabooses. All rolling stock features body-mounted E-Z Mate couplers. A 47 x 38 in. (119 cm x 97 cm) oval of E-ZTrack makes it quick and easy to become the ringmaster of your own circus!

BACU0714 Ringling Bros. & Barnum & Bailey® Circus Ringmaster HO



## Lionel® Pennsylvania Flyer Freight Set O Scale

Hauling holiday happiness for years to come

This realistic model railroad set includes a diecast locomotive with an air whistle, operating headlight and puffing smoke unit. A boxcar, tank car, and cabooses feature operating couplers and moving parts. FasTrack® sections go together quickly to create a 40 x 60 in. (102 x 152 cm) layout. Everything you need to create a realistic scene is included, such as figures, telephone poles and billboards.

LNLU0174 Pennsylvania Flyer Freight Set



## Bachmann® McKinley Explorer N Scale Model Train Set

Visit a real winter wonderland this holiday season

In the heart of one of America's last true wildernesses, a single finger of railroad treats passengers to views of Denali National Park and Mount McKinley. This set includes two EMD F9 diesel locomotives and three detailed full-dome passenger cars. The 34 x 24 in. (86 x 61 cm) oval of E-ZTrack is easy to assemble, so you can build an Alaskan railway in your home in minutes.

BACU6760 McKinley Explorer Set N

## Bachmann® Thomas the Tank Engine® Christmas Set HO

Thomas tugs holiday cheer wherever he goes!

Thomas the Tank Engine comes with a plow, holiday hat and moving eyes. He pulls an open wagon with tree, a candy cane car and a decorated coach. The cars have international-style hook and loop couplers. Includes a 56 x 38 in. (142 x 97 cm) oval E-Z track layout w/steel rails on molded black roadbed to haul happiness into your home.

BACU0682 Thomas the Tank Engine Christmas Set HO



## Lionel® Polar Express Set O-Scale

Bring back your belief

Climb aboard the Polar Express and return to a more innocent time. This set recreates the unforgettable journey from Chris Van Allsburg's story with a Berkshire steam locomotive with headlight and whistle. The two passenger cars and observation car have window silhouettes depicting scenes from the movie adaptation. Four poseable figures let you reenact your favorite scenes as you run on a 40 x 60 in. oval FasTrack layout.

LNLU1960 Polar Express Set



# REV UP SOME FRIENDLY FAMILY COMPETITION

Bring fun and excitement to the season with slot car racing!

All of these great race sets come with:

- Vehicles— Analog or digital, scale or fantasy, these cars are just waiting to zip around the track. Just plug in your controller and race to victory!
- Track— All these sets come with different track sizes and layouts so you can choose where and how you want to race!
- Quality— Built to meet the most exacting racing standards, these sets are ready to run and will be for years to come.

## AFX Giant Raceway Set – HO Scale Slot Car Set

A mammoth race set suitable for all skill levels

Flip a switch and the Tri-Power Pack allows drivers of any skill level to enjoy the Giant Raceway Set! This track set gives you 62.5 feet (19 m) of side-by-side racing thrills. Have fun arranging the massive track in one of dozens of configurations. Then get together with friends and family for hours of racing fun!

AFXW0289 AFX Giant Raceway Set



## AFX® Super International Race Set – HO Scale

Four lanes of fun for all skill levels! With the Tri-Power Pack, any skill level racer can compete. Four Formula One Mega-G racers race around 25 feet (7.7 m) of 4-lane track. You can arrange your course in 18 configurations for a different race every time. The challenges and the fun of this four-lane thrill ride will have you speeding to the finish time after time!

AFXW0292 Super International Race Set



## Auto World® KISS® Funny Cars 13' Drag Set

Race to rock and roll fame! Become a KISS band member and race to the stage with this set. Four 4-Gear™ drag racers with KISS logos and graphics race across 13 feet (4 m) of track. Lights add realism to the scene and tell you who made it past the stage towers and to the big win first.

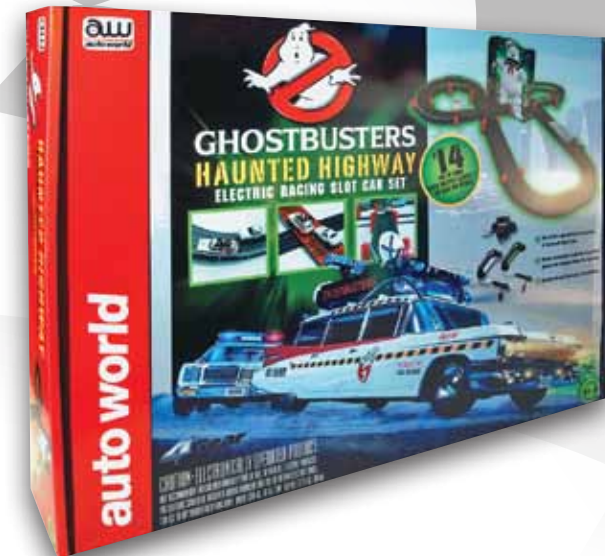
RDZW0256 KISS Funny Cars Set



## Auto World Ghostbusters® Haunted Highway HO Scale

Race the Ecto-1 to slot car fun Race two 1/64 scale slot cars, the Ecto-1 and an NYPD patrol car, around 14 feet (4.3 m) of haunted highway. This set comes with everything you need to get the Ghostbusters started on new adventures and enjoy past capers. Watch out for the Stay-Puft Marshmallow Man and try not to get slimed!

RDZW0260 Ghostbusters Haunted Highway



## SCX® Compact 1/43 Scale GT Racing Series

High-speed GT racing – in 1/43 scale! Get ready to watch your four-year-old race a Porsche®! Set two 911 GT3 racers against each other on a 25 feet (7.7 m) track! Racers of all ages will agree that the GT Racing Series is a sure-fire winner! Set it up today and let your friends and family get in on the action.

SCXW0105 Compact GT Racing Series



## SCX® 1/32 Scale DS GT Basic 3-Car Set

The “fast track” to becoming a slot car superstar. Feel like you’re stuck in a rut with other slot sets? The digital GT Basic lets you change lanes, overtake your opponents and win. This set includes three race cars and enough track to create a 9’6” x 3’7” (3 x 1 m) layout. The whole family can enjoy the scale looks and white-knuckle fun of this set!

SCXW1010 DS GT Basic 3-Car Set



TURN HERE FOR RADIO CONTROL PRODUCTS

