

GREAT NEWS[®]

GREAT PLANES MODEL DISTRIBUTORS

RADIO CONTROL • APRIL 2012



AX10[™] RIDGECREST[™]

Pages 2-3



PLUS:

Flyzone[™] Calypso[™]
Pages 4 - 5

HPI Limited Edition
Savage X 4.6SE
Pages 14 - 15

Free Merchandise
Pages 21 - 29, 34 - 35

NEW
Tx-R[™]
TRANSMITTER-READY
INFORMATION

Pages 4-5



GREAT NEWS[®]

GREAT PLANES MODEL DISTRIBUTORS

GENERAL HOBBY • APRIL 2012

STACEY DAVID'S

GLOBAL



MODEL CAR CHAMPIONSHIPS



PLUS:

Revell[®] Balsa Wood
Pages 4 – 5

New Plastic Models
Pages 6 – 10

AutoWorld NHRA TFD Drag Set
Page 11



GREAT PLANES[®]
MODEL DISTRIBUTORS

ALL-TERRAIN – ALL PURPOSE



Key upgrades make the AX10 Ridgecrest nearly unstoppable!

- Tube style chassis design
- WB8 Wild Boar™ splined driveshafts
- AR60 OCP-Axles™
- 4-link suspension
- High-performance shocks
- 2.2 Ripsaw™ mounted on 2.2 Raceline Renegade wheels



AX10™ RIDGECREST

Power is provided by a 20T motor and AE-2 ESC that's mounted vertically to help shield it from debris and water. An AX-3 2.4GHz radio system delivers secure, precise control, with the receiver protected inside a waterproof box. The battery tray adjusts to accept a number of configurations.



AXIAL

AXID9019 AX10 Ridgecrest 1/10 Scale Electric 4WD RTR

Length: 18.4 in (467 mm)
Width: 11.6 in (295 mm)
Height: 9.4 in (238 mm)
Wheelbase: 12.1 in (307 mm)
Ground Clearance: 3 in (76.2 mm)
Weight (w/o battery): 4.2 lb (1.9 kg)

From the Experts:

The AX10™ Ridgecrest™ is a highly capable, affordable starting point for anyone. If you are not sure what you want to do and how you want to do it within the various segments of crawling, the AX10™ Ridgecrest™ is the most versatile truck with scale looks, performance driven components and the right amount of speed mixed with technical crawling prowess – all in one rig.

Long story short...

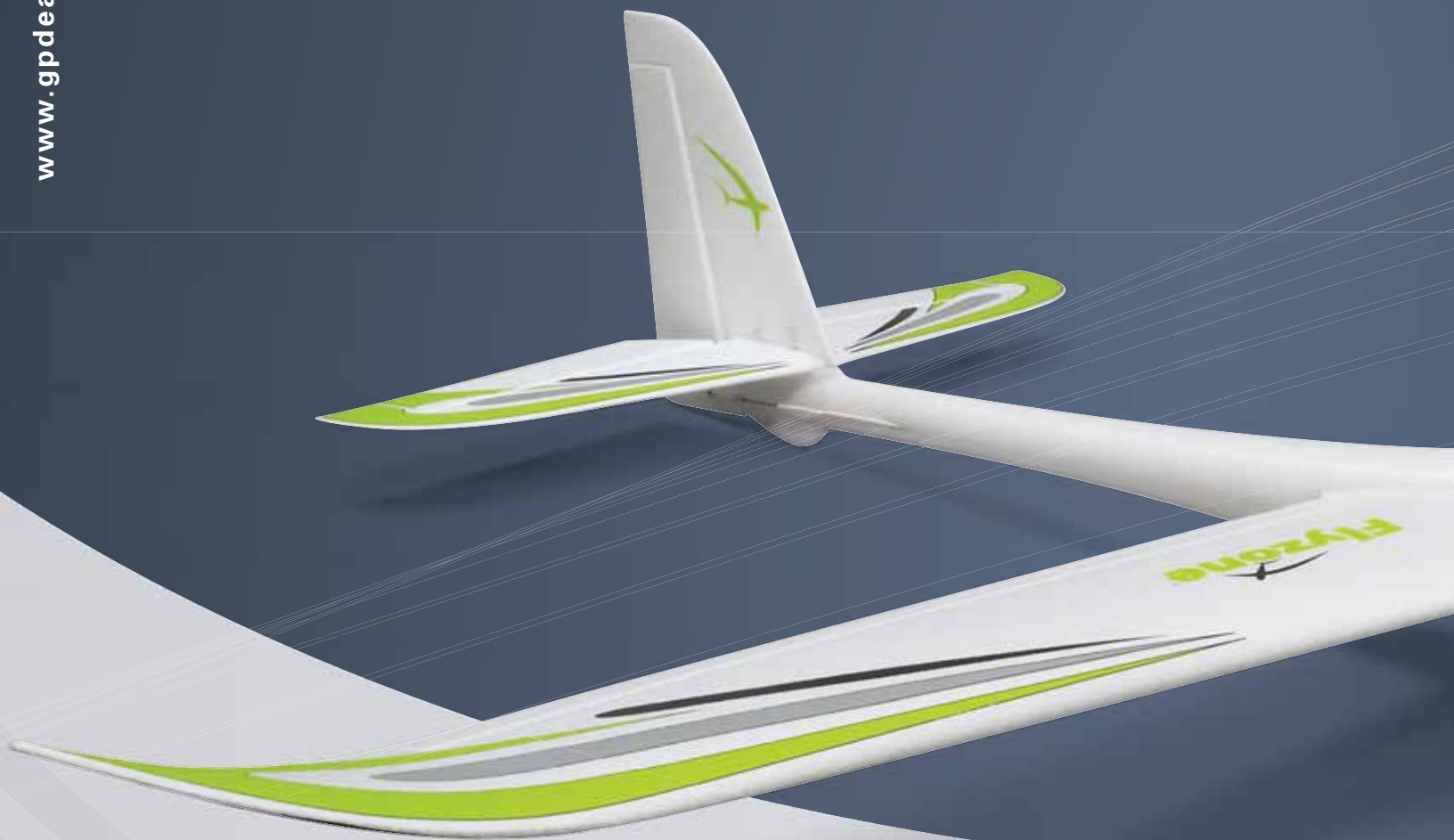
***All hail R/C's new consummate crawler:
the AX10 Ridgecrest!***



NEW PRODUCT

SMOOTH, CONFIDENT SOARING.

www.gpdealer.com



- Durable AeroCell™ foam construction
- Brushless power system is factory-installed
- Very low overall parts count — only five main pieces
- Two-piece wing removes easily for transport
- No glue required — only a Phillips screwdriver
- Large on-board compartment accepts a variety of batteries
- Bold green and black trim scheme stands out at high altitudes
- Includes landing wheel plus nose and tail skid plates



A large on-board compartment with magnetic hatch allows easy access to the flight battery.



Out of the box the Calypso is an excellent beginner glider. By utilizing the included ailerons (with independent servos) and adding optional flaps*, more experienced pilots can take advantage of mixing for increased maneuverability.

*Flap hardware sold separately.

..MADE EASY.

calypso™

EP Glider



RTF
READY-TO-FLY

Offers "all-in-one" convenience!

RTF Includes: Tactic™ 4-channel TTX400 2.4GHz radio, brushless power system with outrunner motor and 18A ESC, 15C 1300mAh LiPo battery, balancing charger and (4) "AA" batteries *RTF Requires:* Nothing

HCAA2513 Calypso EP Glider RTF
HCAA2516 Calypso EP Glider Tx-R

Wingspan: 73 in (1855 mm)
Wing Area: 526 in² (33.9 dm²)
Length: 47 in (1195 mm)
RTF Weight: 29 oz (820 g)

Tx-R
TRANSMITTER-READY

Lets you fly with YOUR favorite transmitter!

Tx-R Includes: Brushless power system with outrunner motor and 18A ESC, AnyLink™-compatible receiver, 4 micro servos, 15C 1300mAh LiPo battery and balancing charger *Tx-R Requires:* AnyLink and compatible 4-5 channel transmitter, or a Tactic 2.4GHz transmitter with SLT™

From the Experts:

Ideally your first sailplane should be easy to assemble and fly - and the Calypso delivers. What's more, included ailerons and optional flaps let you expand your soaring experience with increased control. Choose the RTF that comes with everything you need, or the Transmitter-Ready version that allows you to use your favorite radio system.

Long story short...

The Calypso makes soaring fun and effortless!

Flyzone™

REINTRODUCTION

THIS CAT CAN'T BE TAMED!

www.gpdealer.com



The Tactic 2.4GHz TTX240 2-channel radio delivers reliable, interference-free control with Secure Link Technology™, and the convenience of no crystals.



The rudders feature a unique "break away" system, which swings back upon impact to prevent hull damage.

Replacement Nylon Break-Away Bolts available separately (AQUB7901)

- Ready to attack the water!
- A powerful 1800kV outrunner brushless motor is pre-installed, and water-cooled for efficient operation
- The brushless 50A ESC is water-cooled, LiPo-compatible and features a stutter-bump, low-voltage cutoff and a Deans® Ultra Plug® connector
- Operates on a single 3S LiPo battery
- Seal the hatch with the included tape to keep on-board electronics dry

Deans® and Ultra Plug® are registered trademarks of W.S. Deans Co. U.S. Patent No. 5,533,915

AQUB1810 Wildcat Brushless 2.4GHz RTR

Length: 26.5 in (673 mm)

Beam: 9 in (229 mm)

Weight: 32 oz (907 g)



AQUACRAFT®

Models


WILDCAT™ EP

From the Experts:

Unleash the brushless power of the Wildcat EP, and watch it pounce! The 1800kV outrunner motor delivers top speeds with a single 3-cell LiPo battery, and the included Tactic 2.4GHz radio provides precise, secure control. The decaled ABS hull will look sharp as it flies across the water — and if the rudder should hit something, it's designed to swing back upon impact to prevent catastrophic damage!

Long story short...

Let the Wildcat EP loose on the water and you'll agree: this is not your typical cat!

DIGITAL PRECISION MADE EASY

4PKS 2.4GHz FASST w/R614FS



- Navigating the menus is made simple with the multi-functional jog button with red LED
- View up to 36 functions (including Crawler functions) on the adjustable-contrast LCD Menu screen
- Built into the grip is a vibrator that can be used as a lap timer, up timer, navigation aid or to alert you to low battery levels
- A drop-down adapter is included for repositioning wheel height and angle for maximum comfort
- Extra protection features include High Voltage and Low Battery alarms, and automatic system shut-down after ten minutes of non-use

Featuring the R614FS 2.4GHz FASST 4-Channel Receiver

- Dual Antenna Diversity selects the best reception between two antennas
- Pre-Vision™ scans and filters incoming data for an even clearer signal
- A lightweight (0.28 oz/7.8 g), ultra-compact, high-voltage receiver!

FUTL7635 R614FS 2.4GHz FASST 4-Channel Receiver

FUTK4902 4PKS 2.4GHz FASST System w/R614FS

From the Experts:

The 4PKS offers advancements never before incorporated into a surface system — and the included R614FS receiver allows for even greater precision. All functions (such as 40-model memory, menu customizing and much more) are displayed on the easy-to-read LED screen, and 2.4GHz FASST technology provides the ultimate in security!

Long story short...

With performance features galore that are easy to access and use, the 4PKS is the premier surface system for competitive drivers.

Futaba®

AN EXCELLENT VALUE IN AN 8-CHANNEL SYSTEM

8J 2.4GHz S-FHSS w/R2008SB



You get all this...and much more!

- S-FHSS 2.4GHz security
- Wireless model data transfer between 8J transmitters
- 6 programmable mixes (2 with curves)
- 5 heli flight conditions
- 3-axis gyro support
- 5-point pitch/throttle curves
- Backlit LCD screen
- Full-range internal antenna
- Easy access and programming with a jog dial and three buttons



R2008SB 2.4GHz S-FHSS Receiver

- Equipped with Dual Antenna Diversity
- Features 8 PWM channels and is S.Bus-compatible
- Operates at up to 8.4V

FUTL7608 R2008SB 2.4GHz S-FHSS Receiver

FUTK8100 8JA 2.4GHz S-FHSS w/R2008SB
FUTK8101 8JH 2.4GHz S-FHSS w/R2008SB

Futaba®

From the Experts:

The 8J has so many extraordinary features, it's impossible to list them all. With its sophistication and programming ease it's the ideal system for pilots of virtually all skill levels. Perhaps best of all, the 8J delivers all of this performance and convenience at a very competitive price!

Long story short...

For the same price as some 7-channel systems, the 8J offers much more — plus S-FHSS frequency-hopping technology!



FUTK8100 & 8101



FUTL7608

AN ELECTRIC HOT ROD!

Titan X50E Flybarless 600-Size Electric Heli



This machine is loaded!

- Precision CNC-machined aluminum flybarless rotor head
- One-piece carbon main frames with a slim profile
- Lightweight, rigid one-piece metal main rotor hub
- Metal tail blade grips, with dual radial bearings and one thrust bearing
- Accepts a wide range of motor sizes, top-mounted for better CG
- Large battery bay that accommodates 8-12S LiPo batteries
- Torque tube-driven tail
- Titanium turnbuckle pitch linkages
- V2 carbon fiber main blades included and tail blades included
- Much, much more!

ThunderTiger's 50/06-50H Brushless Motor is the ideal power plant for the Titan X50E!
TTRG9789



TTRE0053 Titan X50E Flybarless 600-Size Electric Heli w/CF Blades

Main Rotor Diameter: 53 in (1345 mm)
Main Rotor Blade Length: 23.6 in (600 mm)
Tail Rotor Blade Length: 3.74 in (95 mm)
Length: 47.25 in (1200 mm)
Weight w/o batteries: 6.06 lb (2748 g)

From the Experts:

Start with the proven, popular Titan X50, equip it with a flybarless head and electric power, and you have the Titan X50E, one of the most eagerly anticipated helis ever introduced. Besides the advantages of flybarless technology, this machine also features machined aluminum control arms, hardened main and feathering shafts, carbon fiber blades, a 120° CCPM control system and torque tube-driven tail rotor.

Long story short...

The Titan X50E makes 3D heli flight look effortless, and will make you the envy of the flying field!



THE 3D MACHINE YOU'VE BEEN WAITING FOR

Titan X50F Flybarless Heli



You'll blow the competition away with the Titan X50F!

- Precision CNC-machined aluminum flybarless rotor head
- Torque tube-driven tail
- Titanium turnbuckle pitch linkages
- V2 carbon fiber main blades included
- Carbon fiber tail blades included

TTRE0076 Titan X50F Flybarless Heli w/CF Blades
 TTRE0077 Titan X50F Flybarless Heli w/RL .53 Engine & CF Blades
 Main Rotor Diameter: 53 in (1345 mm)
 Tail Rotor Diameter: 10.25 in (260 mm)
 Length: 47.25 in (1200 mm)
 Flying Weight: 6.94 lb (3150 g)



From the Experts:

Everything about the Titan X50F has been designed with performance in mind. In addition to the advantages of the flybarless rotor, this machine boasts long metal control arms for precise control, a rigid and lightweight one-piece main rotor hub, titanium turnbuckle linkages and 3-piece metal main rotor grips.

Long story short...

The Titan X50F's outstanding precision and maneuverability has earned it a big "thumbs up" from Thunder Tiger Team pilots!

NEW PRODUCT

SUPER SCALE NITRO RALLY

1/8 Scale WR8 3.0 2011 Ford Fiesta Abu Dhabi Castrol RTR

The WR8 3.0 2011 Ford Fiesta RTR is the complete package, engineered to withstand the unrelenting conditions of rally car racing and equipped with a powerful Nitro Star G3.0 High Output engine for exceptional speeds. Top it off with officially licensed Michelin tires, OZ wheels and the Ford Fiesta RS WRC body with authentic Abu Dhabi/Castrol livery, and you have the ultimate 1/8 scale rally machine!



www.gpdealer.com



Ford oval and nameplates are official trademarks owned and licensed by Ford Motor Company. CASTROL and the CASTROL logos are trademarks of Castrol Limited used under license. The HELIOS and BP, ULTIMATE and the ULTIMATE livery are trademarks of BP p.l.c. used under license. Abu Dhabi and associated marks are registered trademarks owned and licensed by the Abu Dhabi Tourism Authority.



EXCITEMENT!



This car is all about performance!



HPID6949 1/8 Scale WR8 3.0 2011 Ford Fiesta Abu Dhabi Castrol RTR
Length: 19.1 in (485 mm)
Width: 9 in (227 mm)
Height: 6.8 in (172 mm)
Wheelbase: 11.8 in (300 mm)
Drivetrain: Full-time shaft 4WD

Long story short...

Rallying is the ultimate test of a road car, and you can feel free to push the WR8 3.0 2011 Ford Fiesta RTR to its limits – it's built to take it!



NEW PRODUCT

CELEBRATING 10 YEARS OF

1/8 Scale Savage™ X 4.6 Special Edition RTR

SAVAGE X 4.6

Big Block



This version of the Savage X 4.6 is strictly limited, and super-equipped!

It's not just a take-no-prisoners monster, it's also a collector's item! The Savage X 4.6 SE features numbered TVP chassis plates to ensure authenticity, and that's just the beginning. Orange-anodized chassis parts set this beast apart from the rest, and a massive F4.6 engine delivers ground-pounding power to Savage monster truck tires mounted on black Warlock wheels. Control is courtesy of a secure 2.4GHz radio system, and it's all topped off with a scale-looking Dodge Charger R/T body!



SAVAGE DOMINATION!



45+ mph

All of these difference-making accessories are included!

- Heavy-duty racing clutch and steel spur gear
- Sintered bulletproof diff
- Engine stop system
- SB-5 high-torque metal gear steering servo
- Aluminum Big Bore shocks with dual stage springs
- Adjustable upper arms
- Aluminum tuned pipe
- Super HD driveshafts and axles
- 250cc fuel bottle
- Glow igniter with dry C cell
- Plazma Roto-Start with stick pack and wall charger
- Plazma receiver battery

HPID6464 1/8 Scale Savage X 4.6 Special Edition RTR

Length: 21 in (534 mm)

Width: 16.8 in (427 mm)

Wheelbase: 13.25 in (336.5 mm)

Drivetrain: Full-time 4WD

Long story short...

Only 1000 numbered models of the Savage X 4.6 Special Edition RTR will be made available in the U.S. — get your hands on R/C history!



BUILD THIS SAVAGE XS TO YOUR SPECS!

Savage™ XS SS 4WD Electric Kit

www.gpdealer.com



The Savage XS Super Sport edition is a “DIY” kit that already includes many super upgrades — with the potential for even hotter looks and greater performance with a long list of option parts and accessories!

These are just some of the features you'll find on the Savage XS SS:

- Bulletproof all-metal drivetrain
- Waterproof receiver box
- Aluminum shocks with threaded bodies and orange-anodized hardware
- Front and rear universal driveshafts
- Tough steel adjustable turnbuckles
- Dual pad slipper clutch
- TVP (Twin Vertical Plate) chassis



Equip it with the electronics you want!

Choose a servo for fast, nimble action, or one with more torque. Drop in a 2S-compatible motor and speed control for all-around speed and performance, or go all-out with a 3S-capable combination!

HPID7021 Savage XS Super Sport 4WD Electric Kit

Length: 14.17 in (360 mm)

Width: 11 in (280 mm)

Wheelbase: 12.8 in (325 mm)



Long story short...

The Savage XS Super Sport Kit lets you build the off-roader of your dreams!

TAKING ELECTRIC ON-ROAD TO THE EXTREME!

1/12 RC12R5.1 Factory Team 2WD EP Pan Car Kit w/LiPo Conversion

www.gpdealer.com



Everything is included to equip your RC12R5.1 for all-out LiPo-powered performance: chassis and brace, pod plates, top plate, shock mount uprights and more.



All of the 12R5.1's proven technology is still here:

- Wide, three-point rear pod is optimized for brushless motors as well as heat dissipation
- Pivot ball-link chassis allows for independent adjustment of roll, bump and alignment
- "Active Strut" front end features symmetric components with adjustable caster and track width
- Through-shaft design shocks equalize damping throughout the full stroke

ASCC4020 1/12 RC12R5.1 Factory Team 2WD
EP Pan Car Kit w/LiPo Conversion

Length: 10.4 in (265 mm)

Width: 6.7 in (170 mm)

Wheelbase: 7.7 in (196 mm)

Weight: 1.83 lb (830 g)



Long story short...

This new version does the 12R5.1 one better, by accepting 1S LiPo batteries for smoother mid-corner steering in high-traction conditions!



BREAK INTO ON-ROADING

TC4 Club Racer 1/10 Scale Race Roller Kit

The TC4 Club Racer Kit is an excellent platform for Spec Class racing, drifting and anyone who wants Team Associated engineering at a great price!

- Pre-built "race roller" chassis accepts most 1/10 scale on-road bodies, electronics, wheels and tires
- Efficient shaft drive system with blue anodized drive shaft
- Rear ball differential with lightweight composite outdrives
- Front spool to ensure maximum power delivery to all four wheels
- Lightweight composite CVD drive bones
- Composite VCS fluid-filled shocks with adjustable ride height
- 22 precision ball bearings
- Machined aluminum motor mount with cooling fins
- Impact-resistant front bumper system



ASCC0101 TC4 Club Racer 1/10 Scale Race Roller Kit

Length: 14.7 in (373 mm)

Width: 7.5 in (190 mm)

Wheelbase: 10.2 in (259 mm)

Weight*: 3 lb (1375 g)

*Final weight will vary with parts installed.



WITHOUT BREAKING THE BANK



Shown with optional aftermarket bodies, tires and wheels.

Required for completion:

- 1/10 scale brushed or brushless electric motor
- 1/10 scale brushed or brushless ESC
- 7.4V LiPo, 6.0V LiFe, or 6-cell NiMH or NiCd battery pack
- Compatible battery charger
- 2-channel radio system with steering servo
- 1/10 scale on-road wheels and foam or rubber on-road tires
- 1/10 scale (190 mm) polycarbonate on-road body

Trick out your TC4 Club Racer with genuine Team Associated equipment!

Reedy Sonic 17.5 Motor

Designed for competition and proven at the highest levels. Lightweight case features extra-large vents that optimize air flow. Precision balanced sintered rotor is supported by dual ball bearings. Adjustable timing and completely rebuildable. ASCC0941



LRP SPX Zero Brushless ESC

Boost Zero Mode restricts power to set limits while still allowing the motor to run very efficiently. Six power profiles for fine-tuning to meet all track conditions. Advanced digital operation with 4 adjustable modes. ASCM0705



Reedy Wolfpack 7.4V 3300mAh 35C LiPo Battery

Generous discharge capabilities for increased power and speeds. High capacities for extended run times. Molded hard case for maximum crash protection. ASCC0731



Long story short...

Build a Spec Class racer the way you want, with the affordable TC4 Club Racer kit!

HPI 1978 Pontiac Firebird Body (200 mm)

An iconic Hollywood motoring legend!

- Recreate the gold-on-black Special Edition version made famous in the hit movie "Smokey and the Bandit"!
- The huge vinyl pre-cut decal sheet features official Pontiac and Special Edition logos, plus the gold firebird and pinstriping
- Other decal details include window frames, headlights, grill, tail lights and more



HPIC7201
1978 Pontiac
Firebird Body
Vehicle sold separately

HPI Skorpion Short Course Body

Make your 1/10 scale SC truck your own!

- 0.0030" polycarbonate body is marked for Blitz body post drill locations, and is clear to allow for personalization
- Overspray film and pre-cut vinyl window masks make painting fast and simple
- Decal sheet includes photorealistic headlights, grill, tail lights, window frames, door handles and logos



HPIC0259
Skorpion Short
Course Body
Vehicle sold separately

HPI Weld X JZX100 Toyota Mark II Body

A replica body of the Weld/HPI drift car!

- Be the envy of everyone at the track with this scale body of Koichi Yamashita's ride at the prestigious D1-GP drift championships
- Fits all 200mm chassis
- Premium vinyl decals include window frames, headlights, grill, tail lights, full body wrap, official logos and more



HPIC0727
Weld X JZX100 Toyota
Mark II Body
Vehicle sold separately

Venom Racing® Red Edition 540 Sensored Brushless Motors

Ideal for both on-road and off-road vehicles!

- Made from the highest quality materials
- Each features a ball bearing-supported, precision balanced, Nickel-plated sintered Neodymium rotor for smooth operation
- Easily identifiable timing marks on the adjustable end bell allow for optimal tuning
- Available in both standard (10.5, 13.5, 17.5) and modified (5.5, 6.5, 7.5, 8.5, 9.5) turns; visit gpdealer.com for the complete list



VNRC3010
Red Edition 540
Sensored Brushless
Motors

Venom Racing® PS350 Dual Output DC Power Supply

Allows you to run two different chargers at the same time!

- Capable of up to 350 watts of output between two power ports
- Twin cooling fans dissipate heat buildup
- All-aluminum case stands up to years of daily use
- An input selector switch for 110v and 220v allows for greater flexibility



VNRP0666
PS350 Dual Output
DC Power Supply

THIS MONTH FREE SPEED GREASE MAKES MINI BOATS A MAX VALUE!



Mini Reef Racer™ 2
AQUB14*



Mini Rio™
AQUB15**



MiniThunder™
AQUB16**

- For a limited time when you purchase an AquaCraft EP Mini Boat you'll get a FREE 2-ounce jar of GrimRacer Speed Grease!
- Speed Grease provides superior lubrication that reduces wear on flex cable and direct drive systems — it's the perfect performance accessory!
- AquaCraft EP Mini Boats deliver big-time boating fun without the need for a big body of water!

FREE!



GrimRacer™ Speed Grease™ Cable Lube
AQUB9500

There's an AquaCraft mini boat for every taste!

- AQUB14** Mini Reef Racer 2 EP Deep Vee RTR
- AQUB15** Mini Rio EP Offshore Racer RTR
- AQUB16** MiniThunder EP Hydroplane RTR
- AQUB19** Mini Wildcat EP Catamaran RTR



Hurry...this offer ends April 30, 2012!

©2012 Hobbico®, Inc. All rights reserved. This offer is available only to residents of the U.S.A. and Canada, and only from participating hobby retailers. Items are subject to availability with no substitutions. Ask your participating hobby retailer for details.

ANYLINK: IT'S AMAZING, IT'S



AnyLink™ is the little black box that makes Transmitter-Ready™ aircraft work and turns your radio into a 2.4GHz powerhouse. It's compact, lightweight, and installs in seconds. It's compatible with virtually any transmitter, regardless of brand, band or modulation, and gives you the power to:

- fly all Tx-R™ aircraft
- fly any plane with a Tactic 2.4GHz SLT™ receiver
- fly on a secure 2.4GHz signal with the reliability of a frequency-hopping, spread-spectrum system

Please note: Most transmitters are compatible with AnyLink. Some require an optional adapter cable (available separately). Check for system compatibility and cable requirements before buying on the compatibility chart at tx-ready.com. All trademarks are the property of their respective owners. AnyLink has a range of 1,000 feet (307.7 meters), making it ideal for slow flyers, park flyers and other small electrics.

Check out all of these Transmitter-Ready™ models –

Micros

Park Flyers

Great Planes® F-86 Sabre EDF

Fly a true micro jet!
Wingspan: 15 in (381 mm)
 GPMA1771



- HCAA2555 Flyzone Fokker Dr.1
- HCAA2556 Flyzone Super Cub
- HCAA2557 Flyzone Albatros
- HCAA2558 Flyzone Playmate™



Look for this display and get AnyLink FREE through

"It's great that modelers can now pull older radios out of the closet and put them to good use again."

A \$24.99 value!

— Frank's Hobby House,
 Phoenix, AZ

**Hurry!
 This offer ends
 April 30, 2012!**

Optional AnyLink Cables

- TACJ0003 AnyLink Cable Futaba/Hitec Round
- TACJ0004 AnyLink Cable Hitec Aurora
- TACJ0005 AnyLink Cable Power Adapter Spektrum DX4e/DX5e/DX7s/DX8/DX10t
- TACJ0006 AnyLink Cable Futaba 12Z/14MZ

TACZ0001 Tactic AnyLink/Tx-R Counter Display

REVOLUTIONARY...AND IT'S FREE!



AnyLink is designed to work with transmitters from:

Futaba® JR®
 Hitec® Spektrum®

— with many more to come!



Flyzone™ Sensei™
 Master the art of flying
 Wingspan: 58 in (1475 mm)
 HCAA2537

"I was selling Tx-R planes before I could even get them unpacked and on the shelves."

— Tom Thumb Hobbies, Columbus, OH



Flyzone™ Select Scale Focke Wulf Fw190
 Combat on command
 Wingspan: 44.5 in (1130 mm)
 HCAA2540

- HCAA2520 Flyzone Select Scale Cessna® 182 Skylane®
- HCAA2526 Flyzone Select Scale Super Cub
- HCAA2529 Flyzone Switch™
- HCAA2532 Flyzone Select Scale Cessna® 350 Corvalis®

CESSNA, CESSNA 350, SKYLANE, CORVALIS, emblems, logos and body designs are trademarks of Textron Innovations and are used under license by Hobbico®, Inc.

April 30, 2012!



Look for hobby shops displaying Tx-R posters, window clings and stickers!

TACZ0003 Tx-R Available Here Window Cling
 TACZ0004 Tx-R Available Here Airplane Poster



GET ON THE FAST TRACK TO ...AND GET UP IF YOU ACT NOW!

REALFLIGHT⁶ R/C FLIGHT SIMULATOR



Purchase RealFlight 6 along with a new model, and receive a certificate towards quality R/C products!

Go to realflight.com to find the rebate form.

- The best way to learn to fly an airplane or heli (or to sharpen your piloting skills) is to fly it first on RealFlight before taking it out to the field...and that's what this offer is all about!
- When you purchase a RealFlight 6 flight simulator and any of a number of select aircraft models by April 30, 2012, you'll receive a Merchandise Certificate worth UPTO \$50 from any of 30 top R/C brands!
- Many of R/C's finest aircraft are featured in RealFlight 6 — including all of the ones listed here!

Void where prohibited. Some terms, conditions and restrictions apply, and only while supplies last. Available at participating local hobby shops only. Go to bestrc.com for official rules and the downloadable request form to have in your store. All trademarks are the property of their respective owners. ©2012 — Hobbico®, Inc.

FLYING SUCCESS... TO \$50 IN FREE MERCHANDISE!

Customers get a \$50 merchandise certificate rebate when they purchase RealFlight 6 and:

GREAT PLANES

GPMA1219	Curtiss P6-E Hawk ARF
GPMA1286	1/3 Scale Matt Chapman Eagle 580 ARF
GPMA1290	Giant Scale 38% Extra 330S ARF
GPMA1349	PT-17 Military Stearman ARF
GPMA1411	Yak 54 1.60 ARF
GPMA1420	Reactor™ 3D ARF

HOBBICO

HCAA09**	NexSTAR™ Select Brushless EP Trainer ARF
HCAA17**	NexSTAR .46 Select ARF

THUNDERTIGER

TTRE0074	X50T (Torque Tube) Heli Kit
TTRE0094	Raptor® G4 E720 FBL Electric Heli Kit
TTRE0098	Raptor 90 G4 FBL Nitro Heli Kit

TOP FLITE

TOPA0906	Cessna® 182 Skylane® GP/EP Gold Edition™ ARF
----------	--

\$50
rebate



Customers get a \$25 merchandise certificate rebate when they purchase RealFlight 6 and:

GREAT PLANES

GPMA1018	Revolver™ .46-.70 ARF
GPMA1200	Escapade™ Sport ARF
GPMA1270	U-Can-Do™ 3D .60 ARF
GPMA1320	CosmicWind Little Toni .61 ARF
GPMA1472	Combat P-40 Warhawk .25 GP/EP ARF
GPMA1478	Combat Spitfire .25 GP/EP ARF

ELECTRIFLY

GPMA1573	Matt Chapman Eagle 580 EP 50" ARF
GPMA1580	Reactor Bipe 3D EP ARF
GPMA1800	Evader™ EDF Sport Jet ARF
GPMA1805	Rifle™ EP Sport ARF
GPMA5750	Seawind® EP Seaplane ARF

HELI-MAX

HMXE0800	Axe™ 400 3D 2.4GHz RTF Heli
----------	-----------------------------

HOBBICO

HCAA2076	TwinStar™ ARF
HCAA2505	Cessna® 182 Skylane® 2.4GHz RTF

FLYZONE

HCAA2530	Switch™ EP 2.4GHz RTF
----------	-----------------------

THUNDERTIGER

TTRE0009	Mini Titan E325 V2 Heli Kit
----------	-----------------------------

\$25
rebate



Heli-MAX®

HOBBICO®

TF TOP FLITE®

ElectriFly®

THUNDER TIGER®

Flyzone™

Cessna 182, Skylane, emblems, logos, and body designs are trademarks of Textron Innovations Inc. and are used under license by Hobbico®, Inc.

DURING APRIL: BUY A DURATRAX VEHICLE, AND THE PIT MAT IS FREE!

- Through April 30, 2012 when you purchase a select Duratrax RTR vehicle you'll also get a large Duratrax Pit Mat AT NO CHARGE!
- With top-of-the-line performance features and an affordable price, Duratrax models are the best value in R/C cars and trucks — and the Free Pit Mat makes them an even bigger value!
- Pit Mats keep your pit area clean and organized, and the 29" x 19" size can hold a car, truck, heli or even a small airplane — it's the "must-have" accessory for every R/C enthusiast!



VW Baja Bug EP
A blast from the past!
DTXD36**



Evader™ Brushless
Non-stop high-speed action!
DTXD37**



DXR500 Motorcycle
Engineered for speed, strength and style!
DTXD04**

Large 29" x 19" Pit Mat
DTXP2050

FREE!



Tools & accessories shown not included.

**A \$39.99
retail value!**

DX450 Motorcycle
A manic motocross machine
AND sizzling street racer!
DTXD02**



©2012 Hobbico®, Inc. All rights reserved. This offer is available only to residents of the U.S.A. and Canada, and only from participating hobby retailers. Items are subject to availability with no substitutions. Ask your participating hobby retailer for details.

- DTXD36** 1/10 VW Baja Bug EP 2.4GHz RTR
- DTXD37** 1/10 Evader Brushless EP 2.4GHz RTR
- DTXD02** 1/5 DX450 Brushless EP 2.4GHz RTR
- DTXD04** 1/5 DXR500 Brushless EP 2.4GHz RTR

LAST MONTH TO GET A FREE PIT STAND WITH A THUNDER TIGER MODEL!

- Thunder Tiger vehicles are fast, agile and built to take it — and through April 30, 2012, you'll score a great accessory when you buy one!
- The Duratrax® Pit Stand makes maintenance easier, and it's yours **ABSOLUTELY FREE!**
- Choose from any of the 10 models listed below and get your Free Pit Stand today!

1/8 EB-4 S2.5 2.4GHz RTR

TTRD2781



1/10 Sparrowhawk

XXT 2.4GHz RTR

TTRD7541



1/8 MT4-G3 2.4GHz RTR

TTRD80**



FREE!



Pit Stand
DTXC2370

A \$15.99
retail value!

The Deluxe Pit Stand's rotating upper plate makes for easy access, and molded rubber insert grips keep your vehicle in place. A large parts tray is built into the base. It's a "must-have" accessory, and it's yours **FREE** when you purchase a Thunder Tiger model!

Get your FREE Pit Stand with the purchase of any of these models!

- | | |
|----------|---|
| TTRD2781 | 1/8 EB-4 S2.5 Pro Nitro 2.4GHz RTR Red |
| TTRD2782 | 1/8 EB-4 S2.5 Pro Nitro 2.4GHz RTR Blue |
| TTRD2783 | 1/8 EB-4 S2.5 Pro Nitro 2.4GHz RTR Gray |
| TTRD7000 | 1/8 EB-4 G3 Brushless 2.4GHz RTR Yellow |
| TTRD7001 | 1/8 EB-4 G3 Brushless 2.4GHz RTR Blue |
| TTRD7541 | 1/10 Sparrowhawk XXT Brushless 2.4GHz RTR |
| TTRD7542 | 1/10 Sparrowhawk XXB Brushless 2.4GHz RTR |
| TTRD76** | 1/10 Phoenix STII EP 2.4GHz RTR |
| TTRD80** | 1/8 MT4-G3 Brushless 2.4GHz RTR |
| TTRD85** | 1/10 Phoenix XT EP Brushless 2.4GHz RTR |

©2012 Hobbico®, Inc. All rights reserved. This offer is available only to residents of the U.S.A. and Canada, and only from participating hobby retailers. Items are subject to availability with no substitutions. Ask your participating hobby retailer for details.



DON'T MISS OUT ON YOUR FREE XOAR™ PROP!

- Compact power and smooth performance are two great reasons for buying AX and FX engines — and now you have an EXTRA incentive: a quality Xoar propeller ABSOLUTELY FREE!
- Through April 30, 2012, when you buy a select AX or FX engine you'll also receive a performance-matched Xoar prop at no charge
- It's an unbeatable combination of value-packed power!

Buy a 46AX engine...get an 11x6 prop **FREE**
 Buy a 55AX engine...get a 12x8 prop **FREE**
 Buy a 65AX engine...get a 13x5 prop **FREE**
 Buy a 75AX engine...get a 14x8 prop **FREE**
 Buy a 95AX engine...get a 15x6 prop **FREE**
 Buy a 120AX engine with muffler...get a 16x8 prop **FREE**
 Buy a 120AX engine w/o muffler...get a 16x8 prop **FREE**
 Buy a 160FX engine with muffler...get a 17x8 prop **FREE**
 Buy a 160FX engine w/o muffler...get a 17x8 prop **FREE**

O.S. ENGINE
UNEQUALLED QUALITY PRECISION & PERFORMANCE

©2012 Hobbico®, Inc. All rights reserved. This offer is available only to residents of the U.S.A. and Canada, and only from participating hobby retailers. Items are subject to availability with no substitutions. Ask your participating hobby retailer for details.



Xoar props retail for up to \$16.99 — and you can get one FREE!

THROUGH APRIL 2012 — GET A QUALITY FUTABA SERVO FREE!

- Purchase a select Futaba 2.4GHz radio by April 30, and get an S3004 standard servo at no extra charge
- This versatile servo can be used in a wide variety of applications, and features the smoothness of dual bearings
- Some of Futaba's best-selling systems are included in this special offer, with FASST, FHSS and S-FHSS spread spectrum technologies

Get a FREE S3004 servo with any of these 2.4GHz systems:

FUTK1300 3PL 2.4GHz FHSS w/R2004GF
FUTK1400 4PL 2.4GHz S-FHSS w/R2104GF
FUTK2021 3PMX 2.4GHz FASST w/R603FF
FUTK3100 3PRKA 2.4GHz FHSS w/R203GF
FUTK4200 4YF 2.4GHz FHSS w/R2004GF
FUTK6000 6J 2.4GHz S-FHSS w/R2006GS
FUTK6001 6JA 2.4GHz S-FHSS w/R2006GS & (4)S3004
FUTK6002 6JH 2.4GHz S-FHSS w/R2006GS & (4)S3001

FREE!

**S3004 Standard
 BB Servo
 FUTM0004**

**A \$19.99
 retail value!**



Futaba

©2012 Hobbico®, Inc. All rights reserved. This offer is available only to residents of the U.S.A. and Canada, and only from participating hobby retailers. Items are subject to availability with no substitutions. Ask your participating hobby retailer for details.

LAST MONTH TO GET A FREE POWER FLOW™ PROP!

Through April 30, 2012, when you purchase 5 Power Flow props* you'll receive a 6th prop ABSOLUTELY FREE!

*All props purchased must be the same stock number.

Get the most out of your electric plane with Power Flow props!

- Specially shaped to optimize performance
- Blade ends are turned back to reduce drag
- Less motor power used than other props, for longer flight times
- All are sold in pairs (except GPMQ6801, sold one per package)

GPMQ6608	8x3.5 Indoor (2)
GPMQ6610	8x6 Slo-Flyer (2)
GPMQ6630	9x4.5 Slo-Flyer (2)
GPMQ6640	9x6 Slo-Flyer (2)
GPMQ6655	10x3.5 Slo-Flyer (2)
GPMQ6660	10x4.5 Slo-Flyer (2)
GPMQ6675	10x7 Slo-Flyer (2)
GPMQ6695	11x4.5 Slo-Flyer (2)
GPMQ6801	11x8.5E Electric

A retail value of up to \$5.99!



GPMQ6660



©2012 Hobbico®, Inc. All rights reserved. This offer is available only to residents of the U.S.A. and Canada, and only from participating hobby retailers. Items are subject to availability with no substitutions. Ask your participating hobby retailer for details.

GREAT REBATES ON GREAT CHARGERS... THIS MONTH ONLY!

- Simply purchase an ElectriFly Triton™ EQ or Triton2™ EQ charger by April 30, 2012, and receive a certificate worth up to \$30 on quality products from 30 top brands
- These are two of the top-selling chargers in R/C, with the features you need most
- Imagine having a state-of-the-art charger AND up to \$30 to spend on R/C merchandise!

GPM3155

\$20 MERCHANDISE CERTIFICATE



GPM3156

\$30 MERCHANDISE CERTIFICATE



©2012 Hobbico®, Inc. All rights reserved. Void where prohibited. Some terms, conditions and restrictions apply, and only while supplies last. Available only at participating local hobby shops in the U.S. and Canada. Rebates apply to purchases made between February 1 and April 30, 2012. Rebates are not distributed in stores. Rebate request forms and official rules are available at electrifly.com. All required materials to receive the merchandise certificate must be submitted by May 31, 2012.



MAKE SHORT WORK OF THE

SC10 4x4 Factory Team 4WD EP Race Truck Kit

www.gpdealer.com

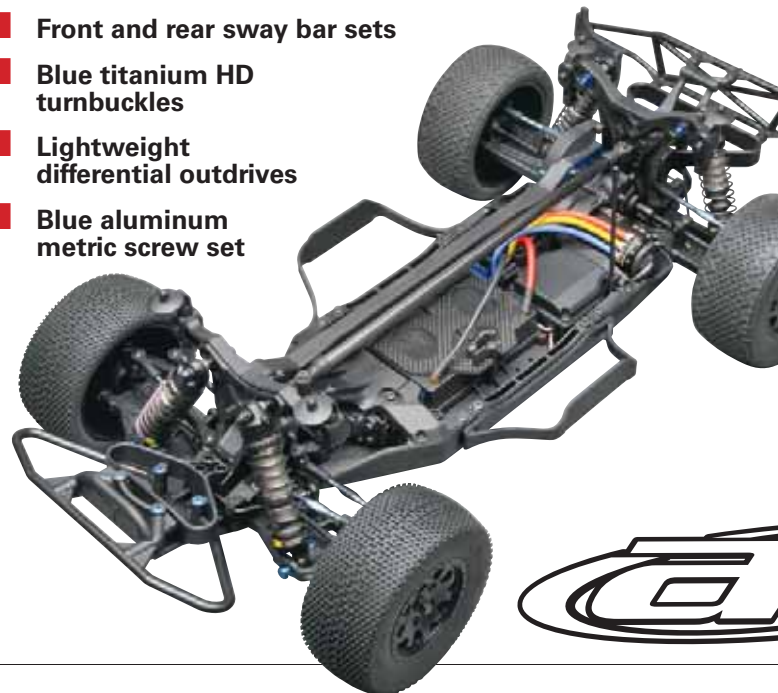


When you give the proven SC10 4x4 Race Truck Kit the "Factory Team" treatment, you've got a sure-fire winner, both in the dirt and on the track! Area 51 designers started with the same composite modular chassis, but then went all-out with performance perks that give this off-roader an obvious advantage. And if you're wanting even more speed, power and durability, check out the top-of-the-line accessories featured here!

- Reconfigured chassis layout with centralized-mass battery mount
- VTS4 Variable Torque slipper clutch with 4 drive surfaces
- 13mm hard-anodized aluminum big bore threaded shocks
- CVA drives with 6mm heavy-duty axles and captured pins
- SC10 Contender body (clear)

Factory Team upgrades galore!

- Carbon fiber chassis brace rod
- TiN-coated shock shafts and inner hinge pins
- Blue aluminum clamping wheel hex adapters
- Front and rear sway bar sets
- Blue titanium HD turnbuckles
- Lightweight differential outdrives
- Blue aluminum metric screw set



ASCD9010 SC10 4x4 Factory Team 4WD EP Race Truck Kit

Length: 21.6 in (550 mm)

Width: 11.5 in (293 mm)

Wheelbase: 12.9 in (327 mm)

Weight*: 6.0 lb (2750 g)

*Actual weight will depend on electronics and tires used.



SHORT COURSE COMPETITION

Take already awesome SC10 4x4 performance to the next level!

Looking for options to match your SC10 4x4 Race Truck to track conditions and your driving style? Reedy, LRP and Factory Team have you covered!



Reedy 7.4V 5200mAh 60C LiPo Saddle Pack

Optimize the weight distribution of your SC10 4x4's reconfigured chassis layout with this saddle pack! Competition tested and proven by top drivers, it has the high capacity needed for maximum duration, with compact dimensions and a molded hard case. ASCC0627



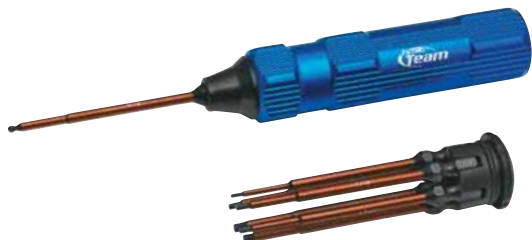
Reedy Sonic 550 4.5T Brushless Motor/LRP SXX TC-Spec V2 ESC Combo

Perfect for high-current draw applications, this combo features a brushless Sonic 550 4.5T motor paired with an advanced SXX TC-Spec V2 speed control. The motor delivers maximum RPM and reliability — and meets ROAR, EFRA and IFMAR specs. ASCC0969



Reedy 526-S AC/DC 2S-6S Cell LiPo/LiFe Balance Charger

The one-stop charging solution for electric racers wanting the flexibility to charge a variety of battery types and configurations. ASCP0604



Factory Team 8-Piece 1/4" Hex Driver Set

Comes with all of the most popular standard and metric hex sizes, conveniently stored inside the handle. The hardened tips can be used with power drivers for tackling heavier jobs. ASCR1655



XP Digital High Torque/High Speed DS1015 Digital Servo

An ultra-precise metal gear and advanced microprocessor deliver sharp output and super-quick response. The aluminum heat sink mid case lowers temps for fade-free performance. ASCM9167



Reedy "AA"
Alkaline Batteries
ASCP0302



Reedy NIMH
"AA" 2700mAh
Rechargeable Batteries
ASCP0303



DON'T JUST TAME THE TERRAIN...

EXO™ Terra Buggy 4WD Kit

www.gpdealer.com



Go on the offensive with the EXO Terra Buggy — it's built to dish it out!

- Three oil-filled gear diffs transfer power to all four wheels
- Tapered tub chassis provides an extra ½" of ground clearance
- Licensed Hankook Dynapro MT tires reinforced with internal ribbing
- Hinged front and rear bumpers that flex upon impact
- Aluminum skid plate inserts for an extra level of crash protection
- Durable 4mm center chassis made of 6061 aluminum
- Patent pending Adjustable Motor Mount and Quick Release Battery Mount
- Threaded shock bodies with multiple shock positions
- Adjustable toe, kickup, camber, roll center and Ackerman
- Robust molded cage design
- Steering pins are coated in titanium nitride



ATTACK IT!



Officially licensed 2.2/3.0 Raceline Renegade wheels add authentic looks. An integrated light bar with licensed PIAA light covers holds up to five LED lights, and the built-in rear diffuser/wing has light buckets for up to four LED lights*.
*LED lights not included.

AXIC9015 1/10 EXO Terra Buggy 4WD Kit
Length: 19.3 in (490 mm)
Width: 11.2 in (285 mm)
Height: 6.75 in (171.5 mm)
Wheelbase: 13.2 in (334 mm)
Max. Ground Clearance: 2 in (50 mm)
Weight: 4.5 lb (2.03 kg)



THE ARRMA RAIDER: MORE METAL,

ARRMA™

WE ARE RADIO CONTROL



RAIDER



The ATX300 transmitter is a classic example of ARRMA innovation!

With the press of a button, the transmitter can be switched from left-handed to right-handed and back again. It allows anyone to hold the radio the way that feels most comfortable — and only ARRMA has it!

Design Patent No. 29/384,679

Standard on all
ARRMA vehicles



MORE INNOVATION, MORE VALUE



FREE!

**A \$24.99
retail value!**

The perfect power package for getting your Raider RTR up to speed — and it's FREE! This month only — get more than just a great 2WD Ready-To-Run buggy...get a convenient Power Kit too, at no extra charge!

Contains:

- 110V AC Wall Charger
- Onyx™ 6-cell 1500mAh NiMH pack
- (8) "AA" alkaline batteries

Duratrax® Power Kit
DTXP4615

ACT NOW! This offer ends April 30, 2012!

Void where prohibited. Some terms, conditions and restrictions apply, and only while supplies last. Available at participating local hobby shops only.

The Raider is all about looks, durability and performance...at a great price!

- Fully independent suspension
- Oil-filled gear diff and shocks
- Aluminum TVP (Twin Vertical Plates) chassis and alloy front chassis plate
- Tough steel turnbuckles, driveshafts and axles
- Brushless-ready all-metal transmission components
- Powered by a MEGA 15T brushed motor with waterproof ESC
- Quick-change battery compartment
- Pre-glued all-terrain dBots "Dunerunner" tires with foam inserts
- Chrome spoked wheels
- Molded rear wing



The factory-printed polycarbonate body is available in 3 WOW-factor colors!

ARAC2011 Raider 1/10 2WD Buggy 2.4GHz RTR-Yellow

ARAC2021 Raider 1/10 2WD Buggy 2.4GHz RTR-Green

ARAC2031 Raider 1/10 2WD Buggy 2.4GHz RTR-Red

Length: 15.75 in (400 mm)

Width: 9.9 in (252 mm)

Height: 5.5 in (140 mm)

Weight: 3 lb (1360 g)

Requires: 7.2V NiMH battery, charger, "AA" batteries for the transmitter

www.arrma-rc.com

TURN HERE FOR GENERAL HOBBY PRODUCTS



TIME IS RUNNING OUT.

GET YOUR ENTRIES IN BY MAY 15, 2012!



Do you have the goods?
Enter Stacey David's GearZ and Revell Hot Rod
Model Building Contest!

Modelers must submit their entries by May 15, 2012.

Win these awesome prizes!

- Your model, featured on GearZ
- Replica Revell/GearZ Cup trophy, inscribed with the winner's name
- A year's supply of Revell model kits (12 max.)
- A Badger™ airbrush
- 1-year subscriptions to Car Craft® and Model Cars magazines
- Free Testors® products
- Licensed GearZ apparel
- An embroidered jacket with contest logo
- ...and more!

Go to revell.com to:

- get complete contest details
- submit entry photos
- see a cool video starring Stacey David!

**AS SEEN
ON TV!**

Watch GearZ
Mondays @ 9:00 p.m. EST
on the Speed Channel

Entry Categories:

Box Stock Division

(100% original parts)

- 15 years and younger
- 16 years and older – **NOVICE**
(fewer than 10 models built in the past 3 years)
- 16 years and older – **SKILLED**
(10 or more models built in the past 3 years)

Unlimited Division

(50% original parts must be used)

- 15 years and younger
- 16 years and older – **NOVICE**
(fewer than 10 models built in the past 3 years)
- 16 years and older – **SKILLED**
(10 or more models built in the past 3 years)



Get complete contest details at revell.com



18 models eligible for contest



- RMXS2342 '68 Firebird 400
- RMXS2026 '70 Pontiac Firebird
- RMXS4275 '72 Olds Cutlass Supreme Custom
- RMXS2574 '64 Chevy Impala SS Hardtop
- RMXS2045 '66 Chevy El Camino
- RMXS4285 '67 Chevelle SS 396
- RMXS4274 '69 Chevy Nova COPO
- RMXS7457 '69 Camaro Z28 RS
- RMXS4202 '68 Dodge Charger
- RMXS4217 '68 Dodge Hemi Dart
- RMXS2596 '70 Dodge Challenger T/A
- RMXS4215 '68 Ford Mustang GT
- RMXS4290 '69 Ford Mustang Mach 1 Cobra
- RMXS2149 '70 Ford Mustang Boss 429
- RMXS2715 '70 Chevelle
- RMXS2943 '71 Plymouth Hemi Cuda 426



- MONS0890 '64 Pontiac GTO
- MONS4293 '66 Shelby Mustang GT350



Stacey David, host of Speed Channel's GearZ[®] asks, "What are YOU workin' on?"[®]

Raised in Idaho, Stacey David earned his reputation as the local hot-rodder by driving his 1930 5-window coupe to school every day. "It was a real hot rod . . . fast and dangerous! It's a wonder I'm still alive!" His intrigue for all things with a motor started way before that. Stacey helped restore his first car when he was 12 years old – his sister's 1963 VW[®] bug. But even before that he was building blindingly fast go-karts with 440 snowmobile engines! However, it was Stacey's father's old flat-fender Willys Jeep[®] that ignited his passion for 4-wheel drive and off-roading that continues to this day.

When he's not building a full-size vehicle on the set of his hit SPEED Channel[®] series, GearZ host and executive producer, Stacey David, can often be found working on a model car. As a way to relax while still maintaining his creative edge, Stacey has been a hobbyist as long or longer than he's been fixing and modifying real cars. Starting his 6th season of GearZ in 2012 David previously hosted and produced another popular automotive series on Spike TV[®] for eight years.

Stacey David is teaming up with Revell once again to launch the second annual Model Car Championship! Judges will include Stacey himself, along with these experts:

- Bill Bozgan, writer and Research Consultant to Ford Licensing and Archives;
- Roy Sorenson, publisher/editor of Model Car Builder model car magazine;
- Bill Coulter, feature writer for Model Cars Magazine and author of numerous model car building books, including "The Directory of Model Car Kits,"
- David Thibodeau, regular feature article contributor to Model Cars and Scale Auto magazines and "Best in Show" winner at the NNL East contest; and
- Bob Downie, regular feature article contributor in Scale Auto magazine and officer at ACME Model Car Club.

Winners will be announced on GearZ[®] in July, 2012!

NEW PRODUCT

PREMIUM BALSAM

Affordably priced. Exceptional quality.



- "Model grade" balsa has countless applications, including airplanes, boats, railroads, crafts and scale miniatures.
- Easy to cut – use a hobby knife to trim to your desired length or shape.
- Unfinished balsa can be stained or painted to suit any preference.
- Choose from various sizes of sticks, sheets and blocks.
- Stick sizes ranging from 1/16" x 2" to 1/2 x 1" in 36" lengths
- Sheets come in 3 and 4 inch width, ranging in thickness of 1/16" to 1/2" all in 36" lengths
- Block sizes 1" x 1" to 2" x 4" in 12" lengths.



Long story short...

Available in various sizes and quantities, Revell Premium Balsa is a hit with do-it-yourself modelers!

Look for this display featuring a great selection of Revell Premium Balsa!



1/35 SCALE U.D.T. BOAT & FROGMEN Fight with the "Frogmen."

Underwater Demolition Teams were established by the U.S. Navy in 1942 to seek and destroy obstacles left behind by enemy troops. U.D.T. troops were specially trained combat swimmers who could perform tasks like breaching cables and planting limpet mines on enemy boats. Many methods used to train these "Frogmen" are now used to train today's U.S. Navy SEALs! **Kit features** a full-hull Underwater Demolition Team boat with a side raft pick-up unit and display stand, five "Frogmen" figures with air tanks, two sailor crew figures and decals with authentic U.S. Navy graphics.

RMXS0313 Total parts: 63 Skill level 2 Length: 11 in (279 mm)



1/25 SCALE 1956 FORD® F-100 PICK-UP Ed "Big Daddy" Roth's rockin' ride!

Before Ed "Big Daddy" Roth became famous for designing wacky hot rods, he had a popular pin-striping business in southern California. Roth even gave his own '56 Ford F-100 the "Big Daddy" treatment, customizing it with red flame pinstripes and a mural on the tonneau cover. **Kit features** a detailed Thunderbird® V-8 engine, multiple interior style choices, opening doors, soft black tires, chrome-plated parts and Ed Roth decals with wild flame graphics and a tonneau cover mural.

RMXS4914 Total parts: 120 Skill level 3 Length: 7.6 in (194 mm)



1/25 SCALE 1967 CHEVELLE® PRO STREET Street-legal, with style to spare.

When it was originally released, the 1967 Chevelle was the fastest thing on four wheels. It's just as impressive today, especially once it's tricked out with a full Pro-Stock rear axle assembly and large drag slicks. These mods aren't just for show; they help make the Chevelle ready to rock the street-legal Pro-Street drag class. **Kit features** a Pro-Stock rear axle assembly and wheelie bars; custom intake stacks; a matching hood, tube headers and side exhaust; chrome-plated parts; soft black tires and decals with custom graphics.

RMXS4923 Total parts: 99 Skill level 2 Length: 7.9 in (200 mm)



CALIFORNIA WHEELS® 1/25 SCALE CADILLAC® CUSTOM LOWRIDER Tricked-out with plenty of "bling!"

GM® released the last of its full-size Cadillacs in 1984. This rear-wheel-drive behemoth boasted a big 4.1L V-8 engine. Classic "body-on-frame" construction makes this Caddy a hit with the custom "lowrider" crowd. **Kit features** an opening hood with a detailed V-8 engine, an opening trunk lid with lowrider pump detail, a custom moon roof, a choice of stock or custom grilles, an engraved vinyl top with opera lamps, soft black tires, chrome-plated parts, gold-plated lowrider wheels and waterslide decals with custom graphics.

RMXS4991 Total parts: 110 Skill level 2 Length: 8.9 in (225 mm)





1/72 SCALE F-22® RAPTOR®

The finest in 21st century tech.

Marketed by Lockheed Martin® as “today’s best overall fighter,” the first F-22 Raptors were delivered in January 2003. F-22s are equipped with highly advanced, dual afterburning Pratt & Whitney® F119-PW-100 turbofan engines. Maximum speed is estimated at Mach 1.82 in “super-cruise” mode. All Raptors have three internal weapons bays within the aircraft’s fuselage. The final, 187th operational F-22 Raptor was unveiled at Dobbins Air Reserve Base on December 13, 2011. **Kit features** positional rear thrust deflectors and horizontal stabilizers, plus decals with graphics featuring every current F-22 squadron commander’s aircraft.

RMXS5984 Total parts: 116 Skill level 3 Length: 10.5 in (267 mm)
Wingspan: 7.4 in (187 mm)



1/25 SCALE 1929 FORD® RAT ROD® (3 'N 1)

Custom craziness, in commanding 1/25 scale.

Rat rods aren’t your old man’s ride. They’re crazy custom creations covered in rust, blemishes and flat primer – and they’re taking the auto world by storm. Rat rods may not be pristine, but they’ve inspired the hearts and minds of those who like hot rods with attitude. Spirit and speed are the stars here, and rat rods have plenty of both. **Kit features** a choice of two different cab styles, opening doors, soft vinyl tires, chrome-plated parts, three different wheel styles and Rat Rod custom decals.

MONS4932 Total parts: 159 Skill level 3 Length: 6.5 in (165 mm)



1/24 SCALE BAD MEDICINE®

The cure for the common car.

Bad Medicine is one of Tom Daniel’s craziest concoctions, and Monogram has given it the 1/24 scale treatment it deserves! This time out, Daniel has transformed a lightning-fast dragster into a prescription delivery service that can set new land-speed records. One thing’s for sure: your pharmacy doesn’t have anything like it! **Kit features** a long, low dragster body, assorted eye-catching goodies, soft black tires, chrome-plated parts and decals with authentic Tom Daniel graphics.

MONS4937 Total parts: 60 Skill level 2 Length: 8.8 in (222 mm)



SLOT CAR



1/32 SCALE '67 PLYMOUTH® #43 RICHARD PETTY®

The undisputed “King” of stock car racing.

It’s been 20 years since his retirement, yet Richard Petty remains one of the biggest names in auto racing. Over the course of his career, Petty won over 200 races and seven national championships. In 1967, Petty won 27 of the 48 races he entered, earning a second Grand National Championship victory by the season’s end. With these impressive stats, no wonder he’s “The King!” This highly collectible slot car is compatible with all commercial track systems and **features** super-fine details, authentic fine printing and an individually painted driver figure.

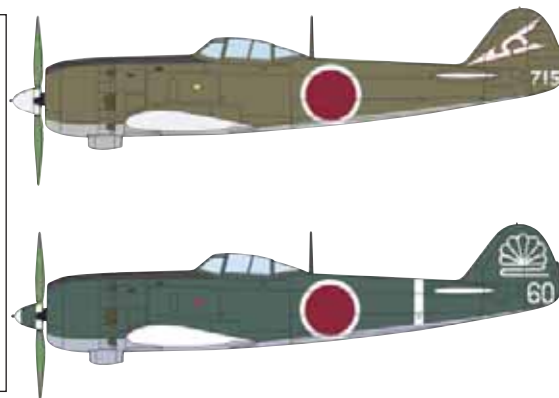
MONW4845

1/72 SCALE NAKAJIMA KI-84 TYPE 4 FIGHTER HAYATE (FRANK) COMBO

The I.J.A.A.F.'s combat-favored fighter.

Nakajima began developing the Ki-84 in 1942, offering improved firepower and tougher armor than the company's Ki-43. The Ki-84-la Type 4 Hayate became the most-produced version of this formidable fighter. Its armament consisted of two 12.7 mm Ho-103 machine guns and two Ho-5 wing-mounted cannons. This limited edition **kit combo features** two Ki-84 kits and three marking options: 1. I.J.A.A.F. 51st F.R., Code: 715, Shimodate A.B., Feb. 1945; 2. I.J.A.A.F. 22nd F.R., Code: 60, Korea, 1945 and 3. I.J.A.A.F. 101st F.R., Code: 85, Fujieda A.B., summer 1945.

01979 HSGS1979 (Limited Edition) Total parts (per kit): 32 Skill level 3



1/72 F-16A ADF FIGHTING FALCON® "VIPER"

The Italian Air Force's Air Defense Fighter (ADF).

As Italy waited for its first fleet of next-gen Eurofighter Typhoons, the country's Air Force flew F-16As on lease from the U.S. Many of these F-16As are stationed at Cervia Air Force Base, home base for the 5th Stormo Caccia Intercettori. Italy began returning the modified Air Defense Fighters in 2010. The remaining aircraft are expected to be returned by June 2012. This limited edition **kit features** new ADF vertical tail wing parts and one marking option: 1. Italian A.F. 5th Stormo, 23rd Gruppo, special marking, Code: MM7244, April 2010.

01980 HSGS1980 (Limited Edition) Total parts: 75 Skill level 3



1/72 SCALE EA-6B PROWLER "VAQ-135 BLACK RAVENS 2010"

Extreme electronic warfare.

Stationed at Naval Air Station Whidbey Island, the "Black Ravens" and "Yellow Jackets" are two of the U.S. Navy's toughest electronic attack squadrons. VAQ-135 and VAQ-138 were both famous for flying the EA-6B Prowler, which was used to jam remote detonation devices during operations in the Middle East. Both squadrons traded in their EA-6B Prowlers for EA-18G Growlers in 2010. This limited edition **kit features** two decal marking options: 1. U.S. Navy VAQ-135 "Black Ravens" CAG, Code: NH500, 2010 and 2. U.S. Navy VAQ-138 "Yellow Jackets" CAG, Code: NG500, 2009.

01981 HSGS1981 (Limited Edition) Total parts: 83 Skill level 3



1/72 SCALE LIGHTNING F MK.6 COMBO

Ready for rocket-fast interception.

The English Electric Lightning first entered service with the Royal Air Force in 1962. Many experts consider the F.6 variant to be the definitive version. One of the fastest interceptors of the Cold War era, the Lightning was retired by the R.A.F. in 1988. This limited edition **kit combo features** two English Electric Lightning F Mk.6 kits, along with two marking options: 1. Royal A.F. No. 5 Sq., Code: AA XR770, 1987 (special markings celebrating the Lightning's retirement) and 2. Royal A.F. No. 11 Sq., Code: BD XR 760, 1983.

01982 HSGS1982 (Limited Edition) Total parts (per kit): 47 Skill level 3





1/72 SCALE EA-18G GROWLER "VAQ-141 SHADOWHAWKS"

The U.S. Navy's specialized Super Hornet.

The EA-18G Growler shares over 90% of the F/A-18E/F Super Hornet's features, including the airframe and AN/APG-79 AESA radar. Growlers are distinguished by their wing fences and aileron "tripper strips" for added stability. Two of the U.S. Navy's most celebrated electronic warfare squadrons – the "Shadowhawks" and "Yellow Jackets" – were among the first to transition to the EA-18G Growler in 2010. This limited edition **kit features** two marking options: 1. U.S. Navy U.S.S. George H.W. Bush, VAQ-141 "Shadowhawks" CAG, Code: AJ500, 2010 and 2. U.S. Navy VAQ-138 "Yellow Jackets," Code: NL510.

01983

HSGS1983 (Limited Edition)

Total parts: 177

Skill level 3



1/700 SCALE HEAVY CRUISER MY?K? WATERLINE DETAIL PHOTO-ETCHED PARTS SET

Add lasting looks to the mighty My?k?!

My?k?-class ships could travel at speeds up to 41 mph (67 km/h). All were equipped with ten 8-inch (203 mm) guns – which was a record for heavy cruisers at the time. After fighting in the Battle of Leyte Gulf, she suffered a torpedo hit from the U.S.S. Bergall. She was later used as a floating anti-aircraft battery in Singapore. Shortly after WWII's end, she was scuttled off the coast of Malaysia. This photo-etched parts set **features** assorted upgrades for the 1/700 scale My?k? kit's waterline details, including rails and aircraft.

72761-8

HSGS2761

Total parts (approx.): 30

Skill level 3



1/700 SCALE HEAVY CRUISER AObA WATERLINE DETAIL PHOTO-ETCHED PARTS SET

First-class upgrades for your Aoba!

Named after the Japanese volcano Mount Aoba, this flagship heavy cruiser was launched on September 25, 1926. She provided cover for several Japanese convoys during WWII. The Aoba was severely damaged following a U.S. air raid on Kure Harbor in April of 1945. She was modified into a floating anti-aircraft battery, which was bombed by U.S. Air Force B-24s in July of 1945. Her wreckage was scrapped the following year. This photo-etched parts set **features** assorted upgrades for the 1/700 scale Aoba kit's waterline details, including rails and aircraft.

72762-5

HSGS2762

Total parts (approx.): 25

Skill level 3



1/32 SCALE FOCKE-WULF FW 190D-9 "JABO"

The dynamic "Dora," in 1/32 scale.

The Focke-Wulf Fw 190D-9 entered Luftwaffe service in September of 1944. This specialized fighter-bomber boasted improved climbing, diving and turning over the A-series, as well as faster horizontal speeds. Jagdgeschwader 26 (JG 26) flew the Fw 190D-9 in air raids against the R.A.F. Schlachtgeschwader 10 (SG 10) used it for close air support in Russia and Eastern Europe. This limited edition **kit features** new bomb resin parts, under-wing panel parts and bomb parts, plus two marking options: 1. Luftwaffe II./JG 26, Yellow 2 and 2. Luftwaffe II./SG 10, Black 6.

08223

HSGS8223 (Limited Edition)

Total parts: 134

Skill level 3

1/48 SCALE OH-6D "J.G.S.D.F."

Japan's observation sensation.

Built by Kawasaki® Heavy Industries, the OH-6D is Japan's license-built version of the Hughes OH-6 Cayuse observation heli. The OH-6D has been flown by multiple military and civilian units, including the Japanese Ground Self-Defense Force (J.G.S.D.F.). The J.G.S.D.F. is currently transitioning to the newer Kawasaki OH-1, but many OH-6Ds are still flown from military bases such as Tachikawa Airfield. This limited edition **kit features** new resin light, FLIR and antenna parts, as well as one marking option: 1. J.G.S.D.F. Eastern Army Aviation Group, Code: EH31300, Eastern Army, Camp Tachikawa, 2011.

09975 HSGS9975 (Limited Edition) Total parts: 50 Skill level 3

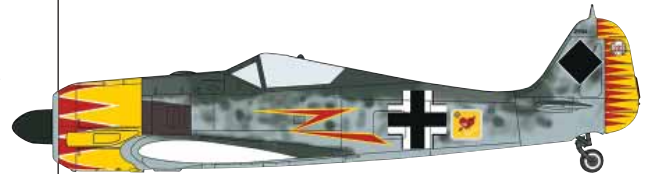


1/48 SCALE FOCKE-WULF FW 190A-5/U7 "GRAF SPECIAL"

Flying high, with a record-setting ace.

An exceptional athlete and glider pilot, Hermann Graf claimed his first victory in 1941's Operation Barbarossa. His reputation grew, and so did his skills. In 1943, he was placed in charge of the Ergänzungs-Jagdgruppe Ost, an advanced fighter pilot school near Bordeaux, France. By World War II's end, Graf had flown over 830 missions, in which he scored a record-setting 212 aerial combat "kills." This limited edition **kit features** new resin air intake parts and one marking option: 1. Luftwaffe Ergänzungs-Jagdgruppe Ost Kommandeur Hptm. Hermann Graf, W.Nr 2594, France 1943.

09976 HSGS9976 (Limited Edition) Total parts: 83 Skill level 3



1/48 SCALE MITSUBISHI® J2M3 RAIDEN (JACK) TYPE 21 "352ND FLYING GROUP"

Packed with "Rising Sun" realism.

Designed by Jiro Horikoshi, the Mitsubishi J2M could fly faster – and climb even higher – than the celebrated A6M Zero. The I.J.N. often outfitted J2M3s with two 132-pound (60 kg) bombs or two 53-gallon (200 L) drop tanks. While it was no match for the P-51D Mustang, it was successful against strategic bombers like the B-29 Superfortress. This limited edition **kit features** two marking options: 1. I.J.N. 352nd Naval F.G., Lt. J.G. Yoshihiro Aoki, Code: 352-20, Omura A.B., March 1945 and 2. I.J.N. 352nd Naval F.G., Code: 352-50, Omura A.B.

09977 HSGS9977 (Limited Edition) Total parts: 81 Skill level 3



AIRFIX® 1/400 SCALE R.M.S. TITANIC GIFT SET

The White Star Line's most lavish liner.

A century after her maiden voyage, the R.M.S. Titanic still fascinates people all over the world. This legendary, lavish liner first set sail on April 10, 1912, from Southampton, England, on a course to New York City. At maximum capacity, she could carry up to 2,453 passengers and 885 crewmen. Power was provided from 29 boilers, two steam engines and one low-pressure turbine. This special edition 100th anniversary **kit features** a display stand and a nameplate. Set also includes 20 acrylic paints, 3 paintbrushes and 1 container of modeling cement.

ARXS5146 Total parts: 381 Length: 26.4 in (670 mm)

Plastic Models





**SRS248/03
RDZW0248**
1/64 Scale NHRA®
Top Fuel Dragster
Pro Racing Set

Auto World® 1/64 Scale NHRA® Top Fuel Dragster Pro Racing Set

Become a drag race ace!

- Set includes two chrome edition Top Fuel Dragsters, representing drivers Spencer Massey and Tony Schumacher.
- Both 4Gear racers feature an extended pancake chassis, which houses dual Neodymium traction magnets for great gripping power.
- Set also features 13' (4 m) of track, two variable-speed controllers, a full-function LED Christmas tree, an electronic starting gate, an electronic finish line with "Win" lights and a red foul light with in-track sensors.
- "Pro" and "Sportsman" modes make it easy for all skill levels to race.
- Features a UL-approved power pack.

Quest™ Water Rockets

Engineered to amaze you.

- A little air and some H₂O is all you need to fly!
- All feature die-cut foam fins, molded high-performance nozzles, fuel measuring flasks, streamer recovery systems and self-adhesive decals.
- Both **Class Packs** include 6 rockets, fins, nozzles and durable PET plastic bottles. **All-Inclusive** pack adds a complete launch system.
- **Deluxe TIGA Starter Set** includes a TIGA water rocket and a fuel measuring flask. 8-piece **Dealer Starter Assortment** comes with a display tray for easy, hassle-free presentation.
- All require water and a bicycle pump with pressure gauge.



QUSH7331

- | | |
|----------|--|
| QUSH7390 | 7390 Dealer Starter Assortment & Display Tray |
| QUSH7360 | 7360 Deluxe "TIGA" Single Water Rocket Starter Set |
| QUSH7330 | 7330 "Stoked" Single Water Rocket |
| QUSH7331 | 7331 "Manic" Single Water Rocket |
| QUSH7308 | 7308 Complete Launch System |
| QUSH7316 | 7316 6-Piece Water Rocket Class Pack |
| QUSH7324 | 7324 All-Inclusive 6 Water Rocket Class Pack |



QUSH7360



QUSH7390

SPRING INTO ROCKETRY!

New season. New possibilities.



All include:

- Laser-cut wood fins
- Decals
- Tumble recovery or recovery parachute

All (except launch sets) require:

- Launch pad
- Launch controller

Ages 10 and up. Adult supervision recommended.

All require:

- Assembly
- Engines
- Igniters
- Recovery wadding
- Tools
- White or yellow glue
- Finishing supplies

Launch sets:

Be flight-ready in minutes, with minimal assembly required.

Features:

- A Ready-to-Fly (RTF) or an easy-to-assemble (E2X®) rocket
- A launch controller
- A launch pad

Sky Twister™ RTF Launch Set

Ready to Fly **RTF**

Vibrant looks. Spectacular flights.

Max. Altitude: 650 ft. (198 m)

Length: 19.5 in. (49.5 cm)

EST1438 1438



Shuttle Xpress™ E2X Launch Set

Easy to Assemble **E2X**

Launch two shuttles at once.

Max. Altitude: 600 ft. (183 m)

Length: 17.7 in. (45 cm)

EST1462 1462



Skill level 1:

Both require moderate gluing, painting and sanding. Assembly takes up to a few hours.

Mini Mosquito™

Skill Level **1**

Small size. Big sting.

Max. Altitude: 800 ft. (244 m)

Length: 3.8 in. (9.6 cm)

EST1345 1345



Crossfire ISX™

Skill Level **1**

Hot looks. High altitudes.

Max. Altitude: 1,150 ft. (351 m)

Length: 15.6 in. (39.6 cm)

EST7220 7220



Skill level 2:

Both require additional gluing, painting and sanding (compared to skill level 1 kits). Assembly can take up to a day.

Hyper Bat™

Skill Level **2**

The two-stager with teeth.

Max. Altitude: 2,125 ft. (648 m)

Length: 21.9 in. (55.6 cm)

ESTT72177217



Mini Comanche 3™

Skill Level **2**

3 stages of outta-sight flight.

Max. Altitude: 900 ft. (274 m)

Length: 31.1 in. (79 cm)

ESTT24482448



Pro Series™ II:

Crowd-pleasing rockets for experienced modelers!

Features:

- New 29 mm composite motors
- Revolutionary quick-release motor retention system
- Laser-cut plywood fins with "through-the-wall" mounting

Easy to Build
High Power
Rocketry

- Laser-cut centering rings
- Motor mounts
- Thick walled body tubes
- 24 in. nylon recovery parachutes

Leviathan™

High Power **29 mm**

A stargazing goliath.

Max. Altitude: 2,000 feet (457 m)

Length: 41.5 in. (105 cm)

ESTT97009700



Partizon™

High Power **29 mm**

Suited for superb soaring.

Max. Altitude: 1,800 feet (549 m)

Length: 56 in. (142 cm)

ESTT97029702



Ventris™

High Power **29 mm**

Set off for the far side of the moon.

Max. Altitude: 2,000 feet (457 m)

Length: 46.3 in. (118 cm)

ESTT97019701



Argent™

High Power **29 mm**

Primed for outstanding heights.

Max. Altitude: 1,700 feet (518 m)

Length: 56 in. (143 cm)

ESTT97039703



TURN HERE FOR RADIO CONTROL PRODUCTS

GREAT



NEWS[®]

T PLANES[®]

D I S T R I B U T O R S