

# GREAT NEWS<sup>®</sup>

GREAT PLANES MODEL DISTRIBUTORS

RADIO CONTROL • JULY 2011

**Flyzone**<sup>™</sup>  
how high will you soar

## sensei

Pages 2 & 3



**PLUS:**

**AquaCraft<sup>®</sup> Minimono**

Pages 4 & 5

**AquaCraft<sup>®</sup> Summer Fun Rebate**

Pages 20 & 21

**Free Futaba<sup>®</sup> Upgrades**

Pages 22 & 23

the  
really **big** ARF  
rebate  
Pages 16 & 17

# GREAT NEWS

GREAT PLANES MODEL DISTRIBUTORS

GENERAL HOBBY • JULY 2011



Pages 2-3

## NATIONALLY ADVERTISED



**PLUS:**

**New Plastic Models**  
Pages 4-10

**SCX new Slotcar Sets**  
Page 11

**Nanodots™ – fun and educational!**  
Page 14



# EVERYTHING YOU COULD

www.gpdealer.com



- Durable AeroCell™ foam construction requires no glue — assembles with a screwdriver and pliers
- Long flight times and a stable, high-wing design combine to make learning to fly easier
- Comes with a powerful brushless motor, 30A ESC and 5 micro servos preinstalled
- The RTR includes a Tactic™ 6-channel 2.4GHz radio and 11.1V 2100mAh LiPo battery, for the ultimate in convenience
- The Rx-R™ offers you the flexibility to install your preferred radio system and LiPo battery

The Sensei RTF comes with a 6-channel Tactic™ 2.4GHz radio system with dual rates that's perfect for learning to fly!

# WANT IN AN EP TRAINER

# sensei™

master the art of flying



## Fun Feature!



Operate the "Drop Door" from the radio to deploy a parachute or other creative payloads while in flight!

**Flyzone™**  
how high will you soar

HCAA2535 Sensei EP Trainer RTF  
HCAA2536 Sensei EP Trainer Rx-R  
Wingspan: 58 in (1475 mm)  
Wing Area: 566 in<sup>2</sup> (36.5 dm<sup>2</sup>)  
RTF Weight: 3.2 lb (1450 g)  
Rx-R Weight: 3.25-3.5 lb (1470-1590 g)  
Length: 48 in (1220 mm)

### ***From the Experts:***

The Sensei brings together all of the elements you look for in a trainer aircraft. With a couple of household tools you can have your model flight-ready in just a few minutes, and the lightweight foam airframe is easy to repair. The design is classic, and the high wing produces gentle flight that builds confidence. And you can choose between the all-inclusive Ready-To-Fly version and the Sensei that's Receiver-Ready, so you can equip it with your choice of radio and battery.

### ***Long story short...***

***No matter which Sensei version you choose, you'll have an easy-flying, traditional-looking EP trainer that you'll be proud to take to the field.***



# MINI SIZE... MAX

# MINIMONO



- Powered by a water-cooled 28-30-2200kV brushless outrunner motor
- The 20A ESC is designed for LiPo batteries, and comes equipped with a Deans® Ultra Plug® connector
- A Tactic™ 2.4GHz radio is included that features interference-free control, no-crystal convenience and Secure Link Technology™

If the Minimono strikes an object in the water, a breakaway feature allows the rudder to swing back and avoid damage. It quickly snaps back into place.

Deans® and Ultra Plug® are registered trademarks of W.S. Deans Co. U.S. Patent No. 5,533,915

# PERFORMANCE!



Only 18" long!

**AQUACRAFT**<sup>®</sup>  
Models

AQUB1805 Minimono Brushless 2.4GHz RTR  
**Hull Length:** 16 in (406 mm)  
**Overall Length:** 18 in (458 mm)  
**Width:** 5.5 in (140 mm)  
**Weight (less battery):** 10 oz (283.5 g)

### ***From the Experts:***

The Minimono represents a new breed of boat: a mini-sized model equipped with a brushless motor and an ESC that uses a LiPo battery! This advanced power system makes the Minimono one fast boat that's lots of fun to drive. Its smaller size and responsive handling let you race on smaller bodies of water — and it's very affordable to operate too!

### ***Long story short...***

***No one had ever thought of making a mini boat that used brushless motor power and a LiPo battery...until the Minimono!***



**UNLEASH YOUR  
INNER AEROBAT!**

**RAPTOR**  
E720 EP Heli  
**G4**

- Mounting the motor higher and positioning the battery tray between the frames allows for easier interior access and improved balance and CG
- A helical main gear transfers torque more efficiently, and provides more surface area for added strength
- The Quick-Calibration System makes setup a snap
- Available in two versions: traditional flybar design and one with cutting-edge flybarless technology



**From the Experts:**

Precision aerobatics and 3D competition can be intense. It demands a heli that's superbly engineered — and the Raptor G4 E720 takes full advantage of ThunderTiger expertise and innovation to meet the challenge of performing precise aerobatic maneuvers. And even with advancements such as the Quick-Calibration System, strategic motor and battery positioning and helical main gear, the Raptor G4 E720's flying weight is up to one pound less than comparable helis!

**Long story short...**

*The Raptor G4 E720 raises the bar for competition machines — in versions both with and without a flybar!*

TTRE0093 Raptor G4 E720 Electric Heli  
TTRE0094 Raptor G4 E720 Electric Heli-Flybarless  
Main Rotor Diameter: 63 in (1604 mm)  
Tail Rotor Diameter: 11 in (280 mm)  
Fuselage Length: 53.3 in (1354 mm)  
Flying Weight: 8.27 lb (3750 g)



**STRIKING  
IN 90-CLASS  
COMPETITORS**

**RAPTOR**  
90-Class Glow Heli

**G4**

- The head is all metal, with the main rotor shaft made of hardened steel
- Setup is a snap with the Quick-Calibration System
- A helical main gear provides more surface area for more strength, while also transferring torque more efficiently
- Collective pitch range is a very impressive +/- 15°
- Available in two versions: traditional flybar design and one with cutting-edge flybarless technology



TTRE0096 Raptor G4 90-Class Nitro Heli  
 TTRE0098 Raptor G4 90-Class Nitro Heli-Flybarless  
 Main Rotor Diameter: 62.4 in (1584 mm)  
 Tail Rotor Diameter: 11 in (280 mm)  
 Fuselage Length: 53.3 in (1354 mm)  
 Flying Weight: 9.7 lb (4400 g)



### ***From the Experts:***

From the ground up the Raptor G4 Glow heli was designed to dominate all other 90-Class machines. The rotor head is a technical marvel, delivering exceptional stability for 3D or precision aerobatics. Many components have been strengthened to withstand extreme aerobatic maneuvers, and setting it up is a breeze. Plus, the Raptor G4 is surprisingly lightweight, which enhances its agility and performance even more!

### ***Long story short...***

***Both the flybar and flybarless versions of the Raptor G4 90-Class heli are gaining more admirers with every competition they enter!***





# HPI RACING® 1/10 SWITCH EP FWD RTR W/SCION xB BODY

HPI's first front-wheel drive racer makes getting into R/C easy!

- All components are housed in a durable composite tub chassis
- Both the width and wheelbase are adjustable
- Power comes from a high-torque 35T Saturn motor and ESC with reverse
- A mid-ship motor layout and McPherson struts deliver stable handling
- Black chrome wheels are mounted on molded rubber tires
- Includes a 7.2V 1500mAh NiCd battery and AC wall charger
- Officially licensed Scion xB body

**HPID06\*\***  
1/10 Switch EP FWD RTR  
w/Scion xB Body-Gold

**Length:** 11.25 in (285 mm)  
**Width (adjustable):** 6.5 in (164 mm)  
**Weight (w/o body):** 38 oz (1080 g)  
**Wheelbase:** 8.25-8.9 in (210/225 mm)



Available in Gold Rush, Super White and Classic Silver Scion xB bodies!



**HPID07\*\***  
1/10 Switch EP FWD  
RTR w/Scion xB  
Body-Super White



**HPID08\*\***  
1/10 Switch EP FWD  
RTR w/Scion xB  
Body-Silver

Top off your on-roader with unique utilitarian style!



**HPIC5019**  
1/10 Scion xB  
Clear Body

- The clear polycarbonate Scion xB body comes with premium decals
- Includes front and rear light buckets for adding optional lights
- Fits the HPI Cup Racer and Switch, along with other mini-size chassis



## Long story short...

*The Switch EP FWD RTR is affordable, free-wheelin' fun for drivers of all skill levels!*

# HPI RACING® SAVAGE XS FLUX BRUSHLESS WATERPROOF AND 2.4GHZ RTR

## The World's Fastest Mini Monster Truck

- Authentic Savage looks and legendary Savage durability — scaled down for fun on smaller tracks
- Enjoy blazing speeds with 2S and 3S LiPo batteries!
- Brushless power system makes for easy operation and low maintenance
- Waterproof electronics let you keep going even in adverse conditions
- 4WD with all metal gear bulletproof drivetrain and full ball bearings
- The twin Vertical Plate chassis carries on the Savage tradition
- Full size 1/10 scale power in a mini monster truck!

# 65<sup>+</sup> mph



**HPID7671**  
Savage XS Flux  
Brushless 2.4GHz RTR



**Length:** 14 in (360 mm)  
**Width:** 11 in (280 mm)  
**Wheelbase:** 8.9 in (225 mm)

### Long story short...

*The Savage XS Flux RTR packs power, performance and toughness in a complete, compact package with all the asked-for extras!*



# READY RIGHT NOW FOR SPORT AEROBATICS



## **Super Sportster**<sup>™</sup> **Rx-R**<sup>™</sup> RECEIVER-READY

- A powerful brushless motor, ESC and micro servos are all factory-installed
- Features durable AeroCell™ foam construction
- Fast, easy assembly with no gluing
- Simply add your transmitter, receiver and LiPo battery

**GPMA6006 Super Sportster Rx-R**  
**Wingspan:** 40 in (1015 mm)  
**Wing Area:** 267 in<sup>2</sup> (17.2 dm<sup>2</sup>)  
**Weight:** 20-22 oz (565-605 g)  
**Length:** 32.5 in (825 mm)

### **From the Experts:**

For years the Super Sportster has been a classic “second” airplane — the ideal model for initiating pilots to low-wing flight and sport aerobatics. This Receiver-Ready version makes getting a Super Sportster to the flight line even easier, with foam construction, a brushless electric power system and 4 micro servos already in place. And you get to install your choice of radio system and LiPo battery!

### **Long story short...**

*It's an easier way to enjoy the low-wing flight characteristics that the Super Sportster is famous for!*



# DURATRAX® SHORT COURSE PERFORMANCE TIRES & WHEELS



Popular DuraTrax treads and compounds designed for Short Course trucks!

- SC Performance Tires feature race-proven Lockup, Lineup, Shotgun and Posse tread patterns, in C2 Soft and C3 Super Soft compounds
- New wheels are made to fit all popular Short Course trucks, including the Traxxas® Slash™, HPI Racing® Blitz and Associated® SC10
- Also available: 16 pre-mounted sets pairing C2 tires with black wheels
- Durable, color-coded sidewall markings make for easy identification
- Tires come in a resealable bag



See the complete line of DuraTrax Performance Tires at gpdealer.com!

## Long story short...

*DuraTrax Performance Tires for Short Course trucks are designed specifically for spirited Short Course competition...and they're value-priced too!*

# O.S.® ENGINE .21 MARINE ENGINES

Race-winning performance for both inboard and outboard modelers!

## .21XZ-M 3.5cc Inboard Marine Engine

- Based on the race-proven 21XZ-R on-road powerhouse, and adapted for marine racing with a water-cooled cylinder head
- The crankshaft is silicone-filled for more efficient intake; two tungsten weights improve overall balance
- Excellent mid-range torque and power, with better fuel economy
- An RP7 turbo plug is included

OSMG1621

## .21XM VII Air-Cooled Outboard Marine Engine

- Cooling the head with air is more reliable than water cooling, and prevents overcooling
- The larger muffler boosts engine power for greater speeds
- Retains many of the features of the highly successful .21XM
- Comes with a #8 glow plug and a carbon prop

OSMG1720



**OSMG1621**  
.21XZ-M Inboard Marine Engine

**OSMG1720**  
.21XM VII Outboard Marine Engine

## Long story short...

*O.S. continues its legacy of marine racing dominance with two .21-sized engines engineered to take down the competition!*



## AKA 1/10 Scale Rebar Buggy Tires

*An elite electric buggy tire from Mark Pavidis and Jared Tebo!*

- Designed to tame both indoor and hardpacked, bluegrooved outdoor tracks
- Double side rails on the edges provide extra support for more side bite and stability in the turns
- Wide staggered center lugs mean forward traction for higher speeds and more "air"
- Available in Soft and Super Soft compounds for Rears and 2WD and 4WD Fronts. Visit gpdealer.com for a complete list.



**AKAC6400**  
1/10 Buggy  
Rebar Tire  
Rear-Soft (2)

## Futaba® R2106GF 2.4GHz 6-Channel Micro Receiver

*Hassle-free reception for indoor flyers!*

- Super-small (1.5 x .85 x .40 inches) and lightweight (4g w/case)
- High voltage capability (4.8-7.4V)
- Offers the option of High Speed mode with digital servos and fail safe on all channels, and is compatible with all Futaba FHSS/S-FHSS transmitters\*

\*FHSS/S-FHSS is not compatible with FASST™ systems.



**FUTL7605**  
R2106GF 2.4GHz  
6-Channel Micro  
Receiver

## Futaba® R6203SBE 2.4GHz FASST™ Mid-Range Micro Receiver

*Advanced FASST technology for park flyers!*

- Features 3 "normal" channels or as many channels as your transmitter has available if using S.Bus
- High voltage capability (3.5V-8.4V)
- Ideal for use with the CG750 Gyro or any S.Bus applicat



**FUTL7666**  
R6203SBE 2.4GHz  
FASST Mid-Range  
Micro Receiver

## Futaba® S3306MG 1/5 HT HS 3P 2BB WP Metal Gear Servo

*Metal gears make this an even better option for 1/5 scale vehicles!*

- This 3-pole, waterproof servo is equipped with many features racers enjoy, including high torque, high speed and dual bearings
- Metal gears are designed to stand up to the demands of 1/5 scale racing
- At 6.0V it delivers 333 oz.-in. torque and 0.16 sec./60° speed



**FUTM0021**  
S3306MG 1/5  
Metal Gear Servo

## Futaba® SBE-1 S.Bus PWM Adapter

*Enjoy S.Bus simplicity with virtually any receiver!*

- Makes almost any receiver instantly compatible with S.Bus programmable servos, as well as the CGY750 and other S.Bus-capable equipment
- Converts input from up to 10 PWM channels into a single S.Bus output



**FUTM4194**  
SBE-1 S.Bus  
PWM Adapter



**HRCM4425**  
HFP-25 Digital Servo  
Programmer & Tester

## Hitec® HFP-25 Digital Servo Programmer & Tester

*Programming servos has never been easier...or more affordable!*

- A lightweight, streamlined accessory for programming Hitec's digital servos
- Features an easy-to-read LCD screen and low battery warning for the included NiMH battery
- Other advantages include factory default reset, end and center points and failsafe



**JCOC1126**  
Illuzion Durango DNX408  
Hi-Flow Body-Clear

## JCConcepts Illuzion Durango DNX408 Hi-Flow Body-Clear

*Giving the Durango buggy a futuristic look!*

- Hi-Flow styling combines flowing design with raised side-pod scoops for increased tune-ability
- Race-inspired, with a forward placed, center raked cab
- Includes window mask and detailed Illuzion decal sheet

Body in the image is painted. Actual body is clear.



**JCOC1201**  
Illuzion SCT Manta V2  
Body OSFM-Clear

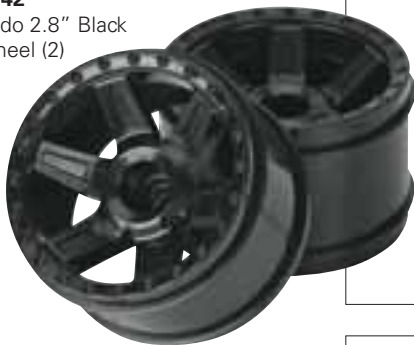
## JCConcepts Illuzion SCT Manta V2 Body OSFM-Clear

*Sleek Manta styling — One Size Fits Most versatility!*

- Scale-inspired body, cab and window design
- Aggressive headlight and grill treatment
- Front and rear fender flares for maximum clearance
- Fits most every 1/10 scale short course truck chassis

Body in this image is painted. Actual product is a clear body sold separately from the vehicle.

**PROC2742**  
Desperado 2.8" Black  
Front Wheel (2)



## Pro-Line® Desperado 2.8" Wheels

- An aggressive 6-spoke wheel with molded-in beadloc ring for awesome scale looks
- Made of durable nylon, and will work with all 2.8" Traxxas® style bead tires to give you lots of rubber options
- Designed for Traxxas Jato®, Stampede® and Rustler® trucks in three styles: nitro front wheels, nitro rear/electric front wheels and electric rear wheels. Visit gpdealer.com for a complete list.



**VNRC1539**  
7.2V 3000mAh NiMH  
Battery-Tamiya

## Venom Racing® 7.2V 3000mAh NiMH Battery-Tamiya®

*A true Venom value in a NiMH pack!*

- Ideal for use with a Roto-Start, Easy Start...or just to run in your car or truck
- Comes equipped with a Tamiya connector
- Backed by Venom's Lifetime Battery Replacement Plan

FEATURED MANUFACTURER

# MAKE THE RC8Be YOUR NEXT OFF-ROADER...

The RC8Be picks up where the RC8e left off, adding many performance and durability-enhancing features pioneered by Associated's Area 51 engineers and world-class team of pro drivers. With upgrades such as Big Bore shocks, Pro-Line® Holeshots tires and lots of blue anodized parts, it's no wonder the RC8Be took the 2010 ROAR National 1/8 Scale Electric Buggy Championship!



#### ASCC0904

RC8Be 1/8 Scale Electric 4WD  
Factory Team Buggy Kit

**Length:** 18.5 in (470 mm)

**Width:** 12.01 in (305 mm)

**Wheelbase:** 12.72 in (323 mm)

**Weight:** 7.87 lb (3570 g)

## THIS BUGGY IS LOADED!

- Factory Team 16mm Big Bore threaded hard-anodized shocks
- 7075 blue aluminum shock towers, suspension mounts and top plate
- Pro-Line M3 Holeshots tires with molded inserts
- Lightweight 3mm hard-anodized chassis
- Optimized steering geometry
- Molded bushings for quick and easy adjustment of rear toe-in, rear anti-squat and front kick-up
- Molded composite front and rear chassis braces
- Molded battery tray that supports two R.O.A.R.-approved 1/10 scale 7.4V LiPo battery packs
- 4.30:1 ratio gearboxes for maximum punch
- 3.5 mm CVA drivetrain with full ball bearings
- And much, much more

## HERE'S WHAT THE MAGAZINES ARE SAYING:

"After putting it through its paces, I can see why it has won so many races and is considered one of the leaders in its class. The drivetrain is bulletproof, the handling is crisp and precise, and the styling of the body and wing really make this a complete package. Throw in Factory Team go-fast goodies and you have a smokin' deal!"

— *RC Driver January, 2011*

"Team Associated again hits the nail on the head with the Factory Team version of the RC8Be. You'll be hard-pressed to find another buggy on the market as well equipped, well thought out and tunable. The fact that the stock setup is already dialed in is a bonus — and by following Team tuning tips in the instruction manual this buggy can win on any track."

— *Radio Control Car Action December, 2010*

# ...AND BE SURE TO ADD THESE AWESOME ACCESSORIES!



## Reedy 5500mAh 14.8V 60C LiPo Battery

- A perfect fit for 1/8 scale buggies and truggies!
- High capacity for maximum duration and a 60C output rating for maximum power
- Molded hard case helps protect against crash damage
- Equipped with a low-resistance Deans® Ultra Plug® connector



ASCC1626



## Reedy 526-S AC/DC 2S-6S Cell LiPo/LiFe Balance Charger

- The one-stop solution for nitro racers who need to charge receiver, transmitter and starter box batteries
- Also the ideal option for electric enthusiasts wanting a flexible unit for charging different battery types and configurations
- Compact and easy to use — all functions are controlled with a single button
- Selectable charge rate of 1, 2, 3, 4, or 5 amps
- Features an internal cooling fan



ASCP0604



## Factory Team 8-Piece 1/4" Hex Driver Set

- All of the most popular standard and metric hex sizes are included and conveniently stored inside the machined aluminum handle
- The hardened tips can be used with power screwdrivers for tackling heavier jobs such as 1/8 scale vehicle maintenance
- A "must have" tool for racers of all skill levels!



ASCR1655



## LRP Quadra Pro 2 Charger

- An intuitive menu makes the Quadra Pro 2 extremely easy to use!
- Charges, cycles and discharges NiCd, NiMH, LiPo and LiFe cells
- The blue backlit LCD display is easy to read
- Comes with 3 factory pre-set profiles that can be customized and saved in memory



ASCP4128





the really **big** ARF rebate

WE'RE TALKING REBATES OF UP TO \$100, ON OVER 70 ARFS!

Been thinking about a new ARF? Here's an extra incentive to get one now: FREE MERCHANDISE! The Really Big ARF Rebate event is going on now through August 31, 2011, and there's something for everyone in this event: electrics, sport models, aerobats, warbirds, giant scale — all top-quality ARFs from the most respected brands in R/C.

It's easy — just send in the required items after you've bought your model and you'll receive a Merchandise Certificate in the mail. Take it to the hobby shop where you purchased your ARF and use it towards your choice of quality hobby products from nearly 30 top brands!

GET ALL THE DETAILS AT [BESTRC.COM](http://BESTRC.COM)™!

We can't show you all the ARFs featured in this event here. To see the complete list, go to BestRC.com and click on the Really Big ARF Rebate banner. Then visit your participating hobby retailer before August 31, 2011.



**\$100**  
Merchandise Certificate



Great Planes  
Matt Chapman Eagle 580 85-100cc  
GPMA1286

**\$50**  
Merchandise Certificate



Great Planes  
Giant Scale 38% Extra 330S  
GPMA1290



Great Planes  
Yak-55M 50-55cc Sport/3D  
GPMA1230

\$30

Merchandise Certificate



Great Planes  
Waco YMF-5D Biplane .91-120  
GPMA1295



Great Planes  
25% Pitts M-12s 50cc  
GPMA1421



Top Flite  
Giant P-40 Warhawk  
TOPA0705



Top Flite  
Cessna® 182 Skylane®  
TOPA0906

\$25

Merchandise Certificate



Great Planes  
Super Stearman 1.20  
GPMA1350



Top Flite  
P-47 Thunderbolt .61  
TOPA0955

\$15

Merchandise Certificate



ElectricFly  
Evader EDF  
GPMA1800



Great Planes  
Big Stik™ .60  
GPMA1221



Great Planes  
Piper J-3 Cub 40 Fabric Covered  
GPMA1311



Top Flite  
P-51D Mustang w/Retracts  
TOPA0950

\$10

Merchandise Certificate



ElectricFly  
Cirrus SR-22 Turbo  
GPMA1166



Great Planes  
Revolver™ .61-91/EP  
GPMA1019



Great Planes  
Cherokee .40-.56/EP  
GPMA1033



Hobbico  
NexSTAR™ .46 Trainer  
HCAA2025

Available only at participating hobby dealers in the U.S. and Canada. Rebates apply to purchases made between June 1 and August 31, 2011. Rebates are not distributed in stores. Rebate request forms and official rules are available at BestRC.com. Rebate requests must be submitted by September 30, 2011.

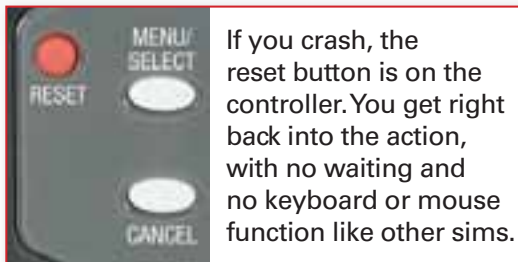
# ONLY REALFLIGHT® OFFERS THE INTERLINK ELITE CONTROLLER

**Not a toy** – it's a full-feature, hobby-quality controller!

## INTERLINK® ELITE CONTROLLER by Futaba®

No other R/C flight simulator's controller comes close to RealFlight's InterLink Elite! It was patterned after Futaba's 6EX transmitter – one of the most popular systems in radio control – complete with digital trims. Using the InterLink Elite saves wear and tear on your radio, but the interface is already built in for you to use your own system with RealFlight. And with MultiMode™ you can use the InterLink controller AND your radio simultaneously – a feature that no other flight sim has!

### Push-Button Resets



### QuickSelect™

- QuickSelect controls all of your basic software functions, right from the transmitter
- Provides instant access to aircraft and flying site selections, as well as customizing options
- By applying filters to the easy-to-use menu you can streamline your aircraft options for faster selection



# REALFLIGHT®

# GET A GREAT BIKE AND THE GOODIES THAT GO WITH IT!

DuraTrax's 1/5 scale brushless R/C motorcycles deliver 2-wheel thrills like nobody else — and get the most out of your model with hot hop-ups!

## Both models share style and performance features galore!

- Scale-enhancing dimensions
- Pre-painted driver figure
- A flywheel gyro system that keeps the bike upright
- A powerful 3800kV brushless motor and ESC
- A Tactic™ 2.4GHz radio system
- Available in 4 hot colors

## DX450

Go both on-road  
AND off-road with  
this rugged machine!



## DXR500

The speed,  
strength and style  
for street-racing  
success!



**DTXD02\*\* DX450 1/5 Brushless  
Motorcycle RTR**  
Length: 17.3 in (440 mm)  
Height: 15.3 in (390 mm)

Give your DX450 an even bigger edge  
with these parts and accessories!

DTXC4482 Wheelie Bar  
DTXC4610 Frame Main Left/Right Carbon  
DTXC4611 Frame Upper Left/Right Carbon  
DTXC4612 Frame Rear Left/Right Carbon  
DTXC4625 Steering Set Oil  
DTXC4640 Steering Rod Set Pro/High Sensitivity  
DTXC4641 Hub Front Aluminum  
DTXC4644 Main Gear Steel  
DTXC4650 Arm Rear (Carbon Texture)  
DTXC4651 Wheel Front (Carbon Texture)  
DTXC4652 Wheel Rear (Carbon Texture)  
DTXC4653 Shock Body Front (Carbon Texture)  
DTXC4655 Handlebar Muffler Foot Peg Set (Carbon Texture)  
DTXC4656 Hub Carrier Front (Carbon Texture)  
DTXC4665 Arm Rear (Gold)  
DTXC4666 Suspension Mount Front Aluminum (Gold)  
DTXC4667 Oil Shock Set Front Aluminum (Gold)  
DTXC4669 Battery Case (Carbon Texture)

**DTXD04\*\* DXR500 1/5 Brushless  
Motorcycle RTR**  
Length: 16.75 in (425 mm)  
Height: 11 in (280 mm)

These upgrades will boost your  
DXR500's speed and power to the max!

DTXC4459 Steel Sprocket 26T  
DTXC4748 Body Cowling Bottom PC  
DTXC4756 Disc Brake Conversion Set Front  
DTXC4767 Fender Front/Rear PC  
DTXC4769 Fork Support Front  
DTXC4772 Gyro Flywheel Lightweight Aluminum  
DTXC4784 Motor Mount Aluminum  
DTXC4791 Rear Arm Aluminum  
DTXC4794 Shock Mount Front Aluminum  
DTXC4796 Shock Body Front Air Aluminum  
DTXC4798 Shock Set Rear Oil Aluminum  
DTXC4805 Shock Set Front Oil Aluminum  
DTXC4827 Steering Damper Body Oil Aluminum  
DTXC4828 Steering Set Oil Aluminum  
DTXC4830 Stabilizer Set  
DTXC4863 Wheel Front Aluminum  
DTXC4865 Wheel Rear Aluminum

**DURATRAX**<sup>®</sup>

# AQUACRAFT® SummerFunRebate

Summer is the time to have fun on the water with an exciting R/C boat...and NOW's the time to get a great deal on some of the best boat models anywhere!

All you have to do is purchase any of the AquaCraft boats featured here by August 31, 2011. When you do you'll be eligible to receive a Merchandise Certificate worth **UP TO \$50** towards your choice of quality hobby products from nearly 30 well-known brands!

**Get all the details at BestRC.com™!**

To view the official rules and download the Rebate Request form go to BestRC.com and click on the Summer Fun Rebate banner.

Then visit your local participating hobby retailer by August 31, 2011.

**This offer is  
good now through  
August 31, 2011!**

## Rio™ 51z

AQUB41\*\*

**\$50**  
MERCHANDISE CERTIFICATE

*Over 4 feet long, and powered  
by a 26 cc Zenoah® engine!*

Available only at participating hobby dealers in the U.S. and Canada. Rebates apply to purchases made between June 1 and August 31, 2011. Rebates are not distributed in stores. Rebate request forms and official rules are available at BestRC.com. Rebate requests must be submitted by September 30, 2011.

# ENJOY THRILLING BOAT RACING ACTION AND SUPER REBATES!

Miss **VEGA\$**  
Deuce™



AQUB34\*\*

**\$20**  
MERCHANDISE CERTIFICATE

*A Nitro powered RTR that gets you into the race fast!*

UL-1 **SUPERIOR**™



AQUB20\*\*

*Brushless lightning that's NAMBA and IMPBA Fast Electric legal!*

**NITRO SUPERVEE 27**™



AQUB22\*\*

*Nitro-Powered performance – and beginner-easy right out of the box!*

**\$15**  
MERCHANDISE CERTIFICATE

**V51**™



AQUB0006

*An easy-building version of Mike "Grimracer" Zaborowski's winning design!*

**TOP SPEED 3**™



*Winner of multiple World, National and regional tunnel hull titles!*

**\$10**  
MERCHANDISE CERTIFICATE

AQUB0007 - Orange  
AQUB0008 - Yellow  
AQUB0009 - Red  
AQUB0010 - White



# A FREE SERVICE FOR KEEPING YOUR FUTABA RADIO *ON THE CUTTING EDGE!*

## **Futaba Free Software Upgrades**

Technology is constantly changing and improving — sometimes, it seems, even faster than we can keep up with. Because no R/C pilot wants to buy a radio control system that will soon be rendered obsolete, Futaba has always offered FREE Software Upgrades of their most popular computer radios!

If you own an 8FG, 12FG, 12Z or 14MZ 2.4GHz FASST™ system, simply log onto [futaba-rc.com](http://futaba-rc.com) and check for available upgrades for your radio. These upgrades provide new features — and unlike other companies that charge, Futaba provides this extraordinary service **AT NO CHARGE!**

**8FG**  
FUTK8010 Air  
FUTK8011 Heli



**Software upgrades found on Futaba-rc.com include:**

- 8FG — expanded to 14 channels
- 14MZ — updated to support 3-axis, flybarless gyros such as the CGY750

# **Futaba**®

If you own any of these Futaba FASST computer systems visit [futaba-rc.com](http://futaba-rc.com) to find software upgrades that will keep your radio current:



**12FG**  
FUTK9275 Air  
FUTK9276 Heli



**12Z**  
FUTK9300 Air  
FUTK9301 Heli



**14MZ**  
FUTK9400 Air  
FUTK9401 Heli

Program Extended  
through August!

## Futaba® 2011 TRADE-UP PROGRAM

Due to popular demand, the Futaba Trade-Up Program will continue through August 31, 2011

IT'S MORE TIME FOR YOU TO:

- Trade in your old, worn out and broken 2.4GHz radio when you purchase a new Futaba FASST system
- Receive a certificate worth up to \$400 toward Futaba merchandise
- Discover all of the advantages of Futaba FASST technology

Visit [futaba-rc.com](http://futaba-rc.com) for complete information, a list of qualifying radios and a certificate request form that you can download!

Have a question regarding which radios qualify for trade-in?  
Please email: [tradeup@futaba-rc.com](mailto:tradeup@futaba-rc.com)



# Futaba®



# FIND US ONLINE!

We've made it easy for you to keep up-to-date with Great Planes® exclusive brands and products — with just a few clicks you can instantly access a world of R/C information and news.



- Make this your “go-to” page for quick links to all the web sites for Great Planes® brands
- Promotional banners take you to news of hot deals on super products
- Check out past issues of Great News®



- Get product and promotional info for 20 brands sent directly to your e-mail inbox
- To sign up just fill in your e-mail address in the box on BestRC.com and select the brands for which you'd like to receive information



- See our products in action!
- Choose from over 330 videos uploaded from 17 different brands
- Also includes event footage, promotional videos and instructional/“how-to” videos
- It's a valuable resource for R/C info, and it's free to subscribe — just click on the YouTube logo on BestRC.com



- Connect with fellow modelers to share ideas and helpful tips
- 18 Great Planes brands currently have Facebook pages
- For an easy link, use the Facebook logo on the brand's home page and become a fan



# TACTIC™

## 2.4GHz

# THE RIGHT MOVE IN RADIO CONTROL

Tactic systems put the best of 2.4GHz technology in your hands for less! By offering the advantages of frequency-hopping spread spectrum design and the confidence of Secure Link Technology™ at such an affordable price, Tactic radios are an unbeatable value. Whether you're purchasing your first R/C system or trading up from your old one, the right move in radio control is a move to a Tactic system.

## Three exceptional systems to choose from!

### TTX240 2-Channel Surface System

- Ergonomically designed and lightweight, for maximum comfort
- Includes "must have" features such as servo reversing and throttle and steering trims
- An ideal radio for boats and on-road or off-road vehicles!

TACJ0245



### TTX404 4-Channel Flight System

- Boasts features you wouldn't expect to find on a basic aircraft radio, including ball-bearing gimbals, adjustable stick lengths, servo reversing, digital trims and elevon and v-tail mixing
- A wireless trainer system is built in, to accelerate the learning process
- A great choice for entry-level pilots!

TACJ2404

### TTX600 6-Channel Flight System

- Easy enough for beginners or experienced pilots, and packed with features and flexibility for flying more advanced models
- In addition to all of the TTX404's features, the TTX600 adds a fifth and sixth channel for more functions like flaps and retractable landing gear, plus dual rates that add the flexibility needed for any flying style or skill level
- It's the flagship of the Tactic radio lineup!

TACJ2600



### Tactic Receivers

Both the 3-channel and 6-channel Tactic receivers are very lightweight, and their compact size makes installation a breeze. They're exceptional values in 2.4GHz performance!

TACL0324 TR324 3-Channel FHSS Receiver  
TACL0624 TR624 6-Channel FHSS Receiver



TURN HERE FOR GENERAL HOBBY PRODUCTS

NEW PRODUCT

www.gpdealer.com

# BE A PART OF FREE 4<sup>TH</sup> QUAR REACHING OVER 78



**SLOT CAR RACING  
— WITH A TWIST**



**nickelodeon™ nicktoons™**

Retailers purchasing the new Revell SPIN DRIVE slot car sets will be featured on the [revell.com](http://revell.com) web site Dealer Locator!

- Innovative slot car racing that uses no batteries or electricity — race almost anywhere
- Turning the crank either clockwise or counter-clockwise generates the power
- Complete SPIN DRIVE racing sets include cool cars with light-up wheels, snap-together track, controllers, control box, guard rails and more
- Assemble the track in just minutes to create the layout on the box, or one of your own
- Box doubles as a sturdy carrying case
- SPIN DRIVE cars stay on the track better than electric-powered slot cars
- LEDs on the chassis light up the car's wheels



**YOU are the POWER!**  
*Spin Fast – Go Fast!*



**No Batteries,  
No Electricity Required!**

# 4TH QUARTER NATIONAL ADVERTISING TO REACH OVER 78 MILLION KIDS!

Choose from 4 exciting layouts!



**Apex Master™ Set**  
Track Length: 16.9 ft (5.1 m)  
RMXW6141



**TrackStar Challenge™ Set**  
Track Length: 39 ft (11.9 m)  
RMXW6145



**Turbo Loop™ Set**  
Track Length: 19.4 ft (5.9 m)  
RMXW6142



**Twistin' Turnpike™ Set**  
Track Length: 31.9 ft (9.7 m)  
RMXW6144



**From the Experts:**

With SPIN DRIVE slot cars you're not tethered to an electrical outlet, or at the mercy of battery power. A dynamo in each controller generates power when you turn the crank — the faster you crank, the faster your car moves. And each set comes complete with cool cars, snap-together track, controllers, control box, guard rails and lots more!

**Long story short...**

**Free 4th quarter National Advertising, 78 million kids, your store on Revell's Dealer Locator...a win-win for everyone!**



## REVELL® SNAPTITE® 1/100 SCALE F-4 PHANTOM "THUNDERBIRDS"

Wowing airshow crowds since '69.

The U.S.A.F. Thunderbirds converted their entire fleet to F-4 Phantom IIs in 1969. The Blue Angels also switched to the Phantom that year, marking the only time in history that both demonstration squadrons flew the same aircraft. For five exciting years, the Thunderbirds performed some of the most memorable shows in the squadron's 58-year history flying Phantom IIs. The 1973 oil crisis forced the team to switch to the more fuel-efficient T-38 Talon in 1974. **Kit features** easy, glue-free snap assembly, complemented by factory-decorated, painted plastic construction.

85-1376      RMXS1376      Total parts: 25      Skill level 1      Length: 7.3 in (184 mm)  
Wingspan: 4.7 in (119 mm)



## REVELL® SNAPTITE® 1/100 SCALE F-15 EAGLE

The U.S. Air Force's supersonic superstar.

The F-15 Eagle first appeared in 1976, and it quickly became one of the most successful fighters in aviation history. Recent stats list the F-15 has just over 100 "kills," with no combat losses on record. 367 F-15s are currently being used by the United States Air Force, where they will serve until 2025. F-15 operators from around the world include Japan (202 aircraft), Saudi Arabia (161 aircraft) and Israel (82 aircraft). **Kit features** easy, glue-free snap assembly, complemented by factory-decorated, painted plastic construction.

85-1377      RMXS1377      Total parts: 17      Skill level 1      Length: 7.5 in (191 mm)  
Wingspan: 5 in (127 mm)



## REVELL® SNAPTITE® 1/100 SCALE F-14 TOMCAT

A favorite of "Top Guns" all over the world.

The F-14 Tomcat was retired by the U.S. Navy in September 2006, but it remains one of today's most famous fighter aircraft. That's because the F-14 has been prominently featured in a number of novels, television shows and films since its 1974 introduction. The aircraft most famously appeared in the 1986 blockbuster "Top Gun®," where it was flown by Tom Cruise's character, "Maverick." The film was an instant hit, which propelled the actor – and the aircraft – into superstardom. **Kit features** easy, glue-free snap assembly, complemented by factory-decorated, painted plastic construction.

85-1378      RMXS1378      Total parts: 22      Skill level 1      Length: 7.1 in (180 mm)  
Wingspan: 7.6 in (194 mm)



## REVELL® SNAPTITE® 1/100 SCALE F/A-18 HORNET "BLUE ANGELS"

A significant fighter with serious "sting."

The F/A-18 Hornet was chosen to be the U.S. Navy's Blue Angels' primary aircraft in 1986, which proved to be a significant year for both the squadron and the aircraft. 1986 marked the Blue Angels' 40th anniversary. In the same year, the aircraft was used for the first time in combat, during Operation Prairie Fire. This unique fighter remains in use with the Blue Angels today. **Kit features** easy, glue-free snap assembly, complemented by factory-decorated, painted plastic construction.

85-1379      RMXS1379      Total parts: 22      Skill level 1      Length: 7.3 in (186 mm)  
Wingspan: 5.6 in (143 mm)





## REVELL® SNAPTITE® 1/100 SCALE A-10 THUNDERBOLT

The famed "Warthog," on the attack.

All through the Vietnam War, the U.S. Armed Forces lacked adequate close air support. Fairchild-Republic developed the A-10 Thunderbolt to remedy the situation. The A-10 can fly at altitudes under 1,000 feet (300 m) and 350 mph (560 km/h) speeds. The Thunderbolt's ability to fly "slow and low" makes it better suited for the ground-attack role, where small target detection often plays a part in a mission's success. **Kit features** easy, glue-free snap assembly, complemented by factory-decorated, painted plastic construction.

85-1380      RMXS1380      Total parts: 31      Skill level 1      Length: 6.4 in (162 mm)  
Wingspan: 6.9 in (175 mm)



## REVELL® SNAPTITE® 1/100 SCALE F-16® FIGHTING FALCON®

One of the world's most-produced jet fighters.

General Dynamics® started development of the F-16 in the early '70s, just as tensions in Vietnam were drawing to a close. Preliminary test flights proved the F-16 could execute supersonic speeds with ease. Exceptional maneuverability, long-range performance and affordability also made the F-16 highly sought after by the U.S. Air Force and numerous NATO nations. Today, the F-16 easily ranks among the world's most-produced jet fighters, with over 4,450 models flown by 26 countries in all. **Kit features** easy, glue-free snap assembly, complemented by factory-decorated, painted plastic construction.

85-1381      RMXS1381      Total parts: 19      Skill level 1      Length: 5.8 in (146 mm)  
Wingspan: 4.1 in (103 mm)



## REVELL® 1/25 SCALE "JUNGLE JIM" VEGA NHRA® FUNNY CAR

A true, trend-setting superstar.

In the history of drag racing, there's never been another driver quite like "Jungle Jim" Liberman. His trademark maneuver – driving backwards at 100 mph speeds following a burnout – always managed to entertain spectators each and every race. His flamboyant personality extended to the paint scheme on his cars, like this '72 Vega Pro Stocker, which features a cartoon Jungle Jim sporting shades and flame-streaked hair. **Kit features** a one-piece tubular chassis, a flip-top Vega body, a replica blown fuel engine, narrow front tires, super-wide slicks, mag wheels and chrome-plated parts.

85-4288      RMXS4288      Total parts: 101      Skill level 3      Length: 7.9 in (200 mm)



## REVELL® 1/24 SCALE '70 PLYMOUTH® SUPERBIRD

Pure muscle, on and off the racetrack.

The 1970 Plymouth Superbird combined the power of a high-speed competition racer with the sleek, refined looks of the best-selling Road Runner. Although the Superbird wasn't an initial success, its pure automotive muscle and limited production run have made it highly collectible. **Kit features** an opening hood with a detailed 440 "Six Pack" big-block V-8 engine, an aerodynamic wedge-shaped nose, a huge rear wing, soft black tires, chrome-plated parts and decals with stock markings and "race version" show car graphics.

85-4921      RMXS4921      Total parts: 65      Skill level 2      Length: 9.3 in (235 mm)



### REVELL® 1/24 SCALE '70 FORD® MUSTANG® BOSS 302

Take-charge, top-of-the-line performance.

Few cars are as revered for their performance as 1970's Ford Mustang Boss 302. Built in response to 1969's Trans-Am title-winning Camaro®, the "Boss" featured unique "hockey" stripes, a redesigned dual exhaust system and a 4.9L 302 cu. in. V-8 engine. **Kit features** a detailed 302 cu. in. engine with a choice of stock or "cross-boss" carb/manifold combination. Also includes a stylish hood scoop, a rear spoiler, window louvers, soft black tires, chrome-plated parts and authentic factory stock detailing decals.



85-4943      RMXS4943      Total parts: 90      Skill level 2      Length: 7.8 in (198 mm)

### REVELL® 1/32 SCALE BELL X-1 EXPERIMENTAL AIRCRAFT

Breaking barriers, one historic flight at a time.

Test pilot Chuck Yeager broke the sound barrier on October 14, 1947. This remarkable feat was made possible by the Bell X-1, an experimental supersonic aircraft which was introduced the previous year. Spanning only 28 feet (8.5 m) and measuring 31 feet (9.4 m) in length, the X-1's impact on the future of air and space travel proved immeasurable. **Kit features** a fully detailed cockpit with an optional pilot figure, an optional rocket engine, an opening cockpit door and decals with authentic markings for four versions.



85-5862      RMXS5862      Total parts: 50      Skill level 2      Length: 12.8 in (324 mm)  
Wingspan: 10.6 in (270 mm)

### REVELL® 1/32 SCALE ATOMIC CANNON SSP RENWAL™

The nuclear-capable "Atomic Annie."

The M65 Atomic Cannon was developed in response to a request for an artillery piece that could fire off nuclear shells. Measuring 84 feet (25.6 m) in length and weighing just over 83 tons, the M65 required the use of two specially designed transporters. The weapon was tested at the Nevada Test Site on May 25, 1953 – the first and only time a nuclear shell was ever fired from a cannon. This exciting **kit reissue**, which is scaled from U.S. Army Ordnance blueprints, features movable parts, seven crewmen figures and U.S. Army decals.



85-7811      RMXS7811      Total parts: 292      Skill level 3      Length: 33.5 in (851 mm)

NEW RELEASES



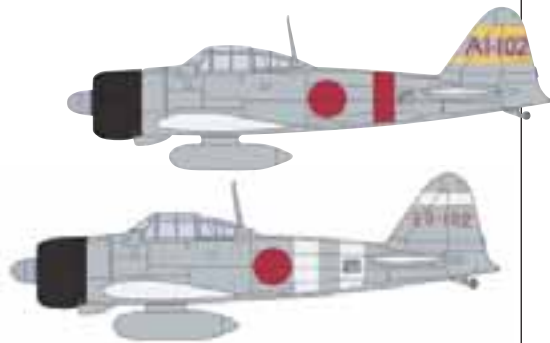
### MONOGRAM® 1/25 SCALE '32 FORD® 3-WINDOW COUPE

A souped-up "deuce coupe" for the 21st century.

Offered in multiple body styles, the first Ford Model Bs rolled off the assembly lines for the 1932 model year. The rare 3-window De Luxe Coupe, was distinguished by its rear-hinged suicide doors. Today, this model remains popular with hot-rodders, who soup it up with V-8 engines and updated suspensions. **Kit features** a choice of a full-fender street rod body, or a high-boy custom body with five-spoke wheels. Also includes a removable hood with a detailed Ford 302 engine, soft black tires, chrome-plated parts and decals with optional custom graphics.



85-0887      MONS0887      Total parts: 115      Skill level 2      Length: 6.6 in (168 mm)



## HASEGAWA® 1/72 SCALE MITSUBISHI A6M2B ZERO FIGHTER TYPE 21 "PEARL HARBOR COMBO"

Recreate history's most infamous date.

On December 7, 1941, the Imperial Japanese Navy attacked the U.S. Naval Base at Pearl Harbor, Hawaii. The following day, the U.S. declared war on Japan, officially entering World War II. This limited edition **kit combo features** two individual A6M2b Zeroes with three marking options: 1. I.J.N. Akagi 1st Sq. 1st Sec. No. 1 A.C. Lt. Saburo Sindo, Code: AI-102, December 1941; 2. I.J.N. Zuikaku 2nd Sec. No. 1 A.C. NAP 1/C Tetsuzo Iwamoto, Code EI-102, December 1941 and 3. I.J.N. Kaga 1st Sq. 13th Sec. No. 1 A.C. NAP/1C Akira Yamamoto, Code: AI-168, December 1941.

01942/01942-3 HSGS1942 (Limited Edition) Total parts (x 2 kits): 46 Skill level 3



## HASEGAWA® 1/72 SCALE SR-71A BLACKBIRD "ICHIBAN"

#1 in rock-and-roll recon.

Capable of reaching speeds exceeding Mach 3, the SR-71 "Blackbird" was a favorite of recon units from day one. The famed 9th Strategic Reconnaissance Wing flew the SR-71A throughout the Vietnam War. While stationed at Beale Air Force Base in Palmdale, California and Kadena Air Base in Okinawa, Japan, the 9th SRW averaged one sortie daily by 1972. This limited edition **kit features** three marking options: 1. U.S.A.F. 9SRW 1SRS (Det. 1) 17974: Ichiban Kadena A.B.; 2. U.S.A.F. 9SRW 1SRS (Det. 1) 17958: Ichiban Kadena A.B. and 3. U.S.A.F. 9SRW 17968: dbx Beale A.B.

01943/01943-0 HSGS1943 (Limited Edition) Total parts: 43 Skill level 3



## HASEGAWA® 1/72 SCALE F-16E FIGHTING FALCON

The famed "Desert Falcon," in 1/72 scale.

Produced exclusively for the United Arab Emirates, the F-16E is equipped with upgraded AN/APG-80 Active Electronically Scanned Array (AESA) radar. This highly advanced feature gives pilots the advantage of tracking and destroying their targets simultaneously. Another F-16E benefit is its ability to carry AIM-132 Advanced Short Range Air-to-Air Missiles and AGM-84E Standoff Land Attack Missiles. This limited edition **kit features** new vertical tail wing parts and three marking options: 1. U.A.E. A.F., Code: 3080; 2. U.A.E. A.F., Code: 3031, 3033, 3056 and 3060 and 3. U.A.E. A.F., Code: 3028, 3029.

01944/01944-7 HSGS1944 (Limited Edition) Total parts: 95 Skill level 3



## HASEGAWA® 1/48 SCALE EA-18G GROWLER

Superbly specialized for electronic warfare.

Designed especially for electronic warfare, the EA-18G Growler is a specialized update of the celebrated F/A-18F Super Hornet. The U.S. Navy's VAQ-129 "Vikings" Electronic Attack Squadron was the first to adopt the aircraft in June 2008. VAQ-129 executed the first carrier-assisted Growler landing aboard the U.S.S. Harry S. Truman (CVN-75) in 2009. 2011's Operation Odyssey Dawn marked the Growler's first use in combat. **Kit features** new electronic pods (ALQ-99 and ALQ-218), antenna fairings, AGM-88 HARM missile parts and markings for 1. U.S. Navy VAQWINGPAC VAQ-129 "Vikings" CVWP, Code: NJ550 2008.

07252/07252-7 HSGS7252 Skill level 3



### HASEGAWA® 1/32 SCALE MESSERSCHMITT BF 109 F-6/U "GALLAND SPECIAL"

Flown by the Luftwaffe's very own Adolf Galland.

While stationed in France in early 1941, the JG26 fighter-wing was outfitted with Messerschmitt Bf 109Fs. Adolf Galland, recently promoted to Oberstleutnant, felt that the "F" variant lacked the armament power pilots needed to successfully shoot down Allied aircraft. As a result, Galland was given the opportunity to test-fly several 109 "specials," which were equipped with weapons like integral wing-mounted 20 mm MG-FF cannons. This limited edition **kit features** new nose panel parts, new under-wing bulge parts and markings for 1. Luftwaffe JG26 Kommodore Oberstleutnant Adolf Galland, France, November, 1941.

08214/08214-4 HSGS8214 (Limited Edition) Total parts: 158 Skill level 3



### HASEGAWA® 1/48 SCALE P-38G LIGHTNING "BOUGAINVILLE"

The 347th Fighter Group's most striking aircraft.

On April 18, 1943, Lt. Rex T. Barber and Capt. Thomas G. Lanphier engaged Japanese bombers over Bougainville, one of which carried Pearl Harbor conspirator Admiral Yamamoto. Both men flew P-38G Lightnings in the chaotic dogfight, but most historians believe Lt. Barber was the pilot responsible for Yamamoto's death. This limited edition **kit features** three marking options: 1. U.S.A.A.F. 347th F.G. 339 F. Sq. Lieutenant Rex T. Barber, Code: 147 "Miss Virginia," April 1943 and 2. U.S.A.A.F. 347th F.G. 339 F. Sq. Captain Thomas G. Lanphier, Code: 122, April 1943. 3. U.S.A.A.F. 347th F.G. 339 F. Sq. Lt. Rex T. Barber, Code: 110, April 1943.

09949/09949-4 HSGS9949 (Limited Edition) Total parts: 110 Skill level 3



## Plastic Models

### Airfix® 1/144 Scale Saturn V Skylab

*Outfitted for out-of-this-world orbit.*

The Saturn V was most famously used to launch astronauts into outer space during the Apollo program. However, this wasn't its only use. The Skylab Space Station was launched into orbit in the summer of 1973, using a Saturn V rocket. Three crews in all lived aboard Skylab, orbiting the Earth 2,476 times in less than a year. **Kit features** separate SI-C, S-II and INT-21 (payload) stages, with the option to separate and rejoin all three stages after assembly. Kit also includes an optional display base and decals.

A11150 ARXS1150 Length (approx.): 29.9 in (759 mm)



### Airfix® 1/72 Scale Canadair Sabre F.4 / North American F-86E(M)

*Transcending transonic flight.*

The F-86 Sabre's success as a front-line fighter during the Korean War helped make it one of the most revered aircraft of its time. The E(M) variant indicated RAF aircraft that were redistributed to NATO air forces. The Canadair F.4 was produced, under license, for the Royal Canadian Air Force from 1950-1958. **Kit features** engraved panel lines, a cockpit with pilot figure, optional-position landing gear, weighted tires, two nose wheel pattern options, optional-position speed brakes, a two-piece canopy, two wing tanks and decal markings for two aircraft.

A03083 ARXS3083 Total parts: 63 Length: 6.1 in (154 mm)  
Wingspan: 6.2 in (157.5 mm)





## Airfix® 1/144 Scale Boeing® 727™

*The T-tailed titan of the tarmac!*

The three-engine Boeing 727 was designed for smaller airports which could not handle the company's successful, quad-engine 707. Although it was noisier than most commercial aircraft, the 727's versatility and reliability made it the best-selling airliner from 1964-1984. **Kit features** raised panel details, an injection-molded windshield, optional-position landing gear, optional wing root walkways and hatch outlines and decals for two aircraft: 1. EC-CFI of Iberia Airlines, Spain 1996 and 2. LV-OLN of Aerlineas Argentinas, 1987.

A04177      ARXS4177      Total parts: 44      Skill level 2      Length: 12.6 in (320 mm)  
Wingspan: 8.7 in (220 mm)



## Airfix® 1/144 Scale Boeing® 737™

*History's best-selling commercial aircraft.*

Lufthansa® introduced the Boeing 737 on February 10, 1968, becoming the first non-U.S. airline to launch a Boeing aircraft. Since that historic date, the 737 has evolved into the world's best-selling commercial aircraft. Over 6,600 737s have been produced – and production shows no signs of stopping! **Kit features** raised panel details, separate boarding doors and loading hatches, an injection-molded windshield, optional-position landing gear, optional wing root walkways and hatch outlines and decals for two aircraft: 1. ZK-NAI of Air New Zealand, 1998 and 2. VH-CZO of Ansett Airlines, Australia, 1982.

A04178      ARXS4178      Total parts: 48      Skill level 2      Length: 8.3 in (210 mm)  
Width: 7.5 in (190 mm)



## Airfix® 1/72 Scale Heinkel He 111 H-20

*The Luftwaffe's late-WWII powerhouse.*

While it was the final mass-produced variant, the Heinkel He 111 H-20 still boasted plenty of new, notable features. Power came from twin 1,750 hp Junkers Jumo 213E-1 engines, proving so effective that 586 H-6s were modified to become H-20s. **Kit features** raised panel lines, a basic fuselage interior, a rotating turret, hinged control surfaces, optional-position landing gear, two external bombs, three crew figures and markings for two aircraft: 1. "5J & ES" of 8./KG4 at Bardufoss, Norway, autumn 1942 and 2. "6N & CB" of 1./KG100 at Kursk, 1944.

A05021      ARXS5021      Total parts: 79      Length: 8.9 in (227 mm)  
Wingspan: 12.3 in (313 mm)



## Airfix® 1/72 Scale Consolidated B-24 Liberator B.VI

*Armed with Boulton Paul tail turrets!*

Flown by the R.A.F., the B.VI was essentially the B-24H with Boulton Paul tail turrets. The B.VI was also equipped with the H's redesigned bombardier compartment and plexiglass windows. **Kit features** raised panel/riev details, a basic interior, a retractable undercarriage, hinged control surfaces, pivoting turrets, an optional-position boarding ladder, eight crew figures in various poses and decal markings for two aircraft: 1. R.A.F. Liberator B.VI ES267 "Wandering Witch," No. 335 Squadron, Southeast Asia Command, 1945 and 2. "Kentucky Belle," 706th B.S., 446th B.G., 8th A.F., R.A.F. Bungay, Suffolk, U.K., 1944.

A06010      ARXS6010      Total parts: 124      Length: 10.4 in (263 mm)  
Wingspan: 18.3 in (465 mm)



## Maisto® 1/12 Scale Assembly Line™ Ducati® Multistrada 1200S

*Retuned and revamped, for all-road racing.*

The Ducati Multistrada 1200 first roared onto the scene in 2010, and it has quickly become a fan favorite. This unique supermoto/sport touring hybrid is designed to race on all road types, ranging from asphalt to unpaved surfaces. Upgrades over previous Multistrada models include electronic throttle control, adjustable traction control, anti-lock brakes and an electronically adjustable suspension. Selectable engine mapping lets riders further fine-tune power and throttle response to suit their needs. This diecast metal model **kit features** a pearl white paint scheme, a screwdriver and collectible window box packaging.

39188      MAIS9188      Total parts (approx.): 20      Skill level 2

# Plastic Models

## Maisto® 1/24 Scale Assembly Line™ Mercedes-Benz® SLK

*The classy convertible with the retractable hardtop.*

Celebrated for its compact size and exquisite elegance, the SLK-Class roadster made its U.S. debut in 1997. Among the SLK-Class' most revolutionary features is its retractable steel roof, which protects drivers from the elements far more effectively than standard folding cloth tops. The latest, third-generation SLK – the R172 – retains this "Vario Roof" option. However, "Magic Sky Control," which can make the sunroof turn opaque for reduced glare, is new. **Kit features** a painted, detailed diecast metal body, opening doors, rolling wheels, bonus custom wheels and a screwdriver for easy assembly.

39206

MAIS9206

Skill level 2



## Maisto® 1/24 Scale Assembly Line™ '10 Chevrolet®

### Camaro® SS™ RS™

*Retro style, modern machinery.*

2010's Chevrolet Camaro combines cool retro styling on the outside, with sophisticated modern machinery on the inside. The SS package – one of five possible choices – was available with a manual transmission and a 426 hp LS3 V-8 engine. It was also offered with an automatic transmission and a 400 hp L99 V-8 engine. An RS appearance package added HID headlights with integrated halo rings, a spoiler and specially designed taillights and wheels. **Kit features** a painted diecast body, opening doors, rolling wheels, bonus custom wheels and a screwdriver.

39207

MAIS9207

Skill level 2



## Maisto® 1/24 Scale Assembly Line™ Audi® R8 Spyder®

*Germany's sporty, all-wheel drive sensation.*

Introduced in 2009, the open-top Audi R8 Spyder is equipped with all-wheel drive, for improved on-road handling and torque distribution. The R8 Spyder is also distinguished by an automatic retractable folding cloth roof, as well as an aluminum space frame chassis with carbon composites. Drivers can now choose between a 428 hp, V-8-powered model (top speed: 185 mph, 299 km/h) or the 518 hp, V-10 model (top speed: 197 mph, 317 km/h). **Kit features** a painted, detailed diecast metal body, opening doors, rolling wheels, bonus custom wheels and a screwdriver.

39213

MAIS9213

Skill level 2



## Polar Lights® 1/25 Scale 1966 Batmobile™ Snap Kit

*Just like in the classic 1960s series!*

Fans familiar with the 1960s series "Batman" will, no doubt, recognize the iconic 1966 Batmobile. However, not all fans know the following factoid. Designer George Barris had only three weeks to transform the rare 1959 Lincoln Futura concept car into a crime-fighting hot rod. The end result became an instant pop culture phenomenon that continues to attract large car show crowds to this very day. **Kit features** easy snap assembly, a detailed black plastic body with chrome and clear accents, metal axles and figures of Batman® and Robin®.

POL824

PLLS0824

Skill level 2



## Trumpeter® 1/700 Scale AOE Fast Combat Support Ship U.S.S. Detroit AOE-4

*Set sail on the U.S. Navy's "Dirty D."*

The U.S.S. Detroit (AOE-4), the last of four Sacramento-class fast combat support ships, ranks as one of the largest ships ever built on the west coast. During her 35-year stint serving the U.S. Navy, she was on station in the Red Sea for nine months – six of them were while Operation Desert Storm was in progress! **Kit features** slide-molded upper and lower hulls, a finely detailed deck, a choice of waterline or full-hull assembly, assorted photo-etched parts, two CH-46 Sea Knights, two MH-60 Seahawks and a display stand.

5786

TSM5786

Total parts (approx.): 340

Length: 13.7 in (347 mm)



## SCX® 1/32 SCALE DS GT PIT BOX SET

Decide the winning strategy with digital precision.

- Digital technology lets you race multiple cars, switch lanes and more!
- Set includes three cars: the Chevrolet® Corvette® C6R™, the BMW® M3 GT2 and the Porsche® 911 GT3 Cup.
- Complete track layout consists of 1 Pit Box start terminal track, 1 standard straight, 1 each of left/right access tracks, 2 single-lane pit box straights, 2 single-lane straights, 5 standard straights, 3 changeover tracks and 8 standard curves.
- Also features 3 electronic hand throttles, 1 pit box control unit, 4 pit box barriers, 8 tapered borders with barriers, 8 standard curve borders with barriers and an electronic transformer.
- Length: 19'7" (6 m). Dimensions: 9'6" x 3'7" (294 cm x 113 cm).

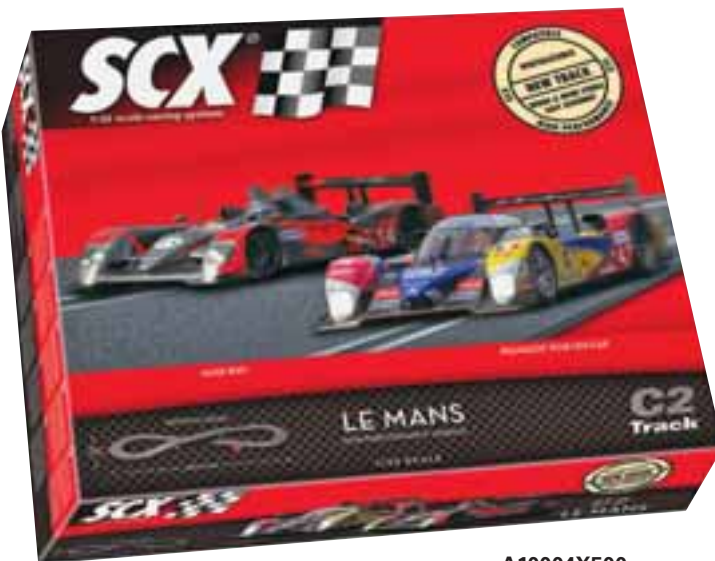


### Long story short...

Grab your chance to cross the finish line first with the Grand Touring greatness of the GT Pit Box set!

## SCX® 1/32 SCALE C2 GT LE MANS SET

High-speed, high-performance GT racing



A10004X500  
SCXW5104



- Featuring wider, digital-compatible track!
- Includes two GT vehicles: the Audi® R10 "Albers" and the Peugeot® 908 HDI FAP.
- Complete track layout consists of 2 half-straights, 6 standard straights, 1 terminal track, 10 standard curves, 2 bridge supports and 8 barriers.
- Set also features 2 hand throttles and 1 electronic transformer.
- Length: 16'7" (5 m). Dimensions: 7'8" x 2'7" (238 mm x 82 cm).

### Long story short...

Enjoy authentic 24 Hours Le Mans action any time with this fully-featured slot car racing set from SCX!

## Quest™ Penetrator Quick Kit Starter Set

*The tallest rocket in the Quest fleet!*

- Quest Quick Kits require less than one hour assembly – Skill Level 0.
- Includes three powerful C6-3 motors, two parachutes, launch pad and Q2 launch controller.
- Max. alt.: 700' (214 m). Height: 38.7" (98.4 mm).



**QUEST1412**  
Mfg# 1412

## Quest™ Seeker Quick Kit Starter Set

*Virtually everything you need to fly!*

- Quest Quick Kits require less than one hour assembly – Skill Level 0.
- Includes 3 motors (A6-4, B6-4 and C6-3), recovery parachute, launch pad and Q2 launch controller.
- Max. alt.: 1,000' (305 m). Height: 26" (66 cm).



**QUEST1413**  
Mfg# 1413

## Quest Aerospace SuperBird Rocket Kit

*Designed for long, slow and impressive flights!*

- Features 2 parachutes and balsa fins. Requires finishing materials and motor (B6-4, C6-3 and C6-5).
- 31.3 in. (795 mm) tall. Max. altitude: 800 feet (243 m). Skill level 2.



**QUEST2010**  
Mfg# 2010

## Quest™ RTF - Micro Roc Critical Mass Single Set

*Only requires a small, 50-foot (1,524 cm) radius!*

- Set includes one decorated and ready-to-fly rocket, three high-performance Micro Maxx motors with igniters and a complete launch system with launch pad and Q2 controller.
- Rocket features a unique bayonet motor lock and a piston-actuated recovery system.
- Reusable range box packaging lets you take it virtually anywhere!



**QUEST5620**  
Mfg# 5620

## Quest™ RTF - Micro Roc No Mercy Dual Set

*Compact and completely ready-to-fly!*

- Set includes two decorated RTF rockets, six high-performance Micro Maxx motors with igniters and a complete launch system with launch pad and Q2 controller.
- Rockets feature a unique bayonet motor lock and a piston-actuated recovery system.
- Reusable range box packaging makes this set extra-portable. Each rocket requires a 50-foot (1,524 cm) radius.



**QUEST5621**  
Mfg# 5621



**QUEST5622**  
Mfg# 5622

## Quest™ RTF - Micro Roc Alien Invasion Dual Set

*Blast off, for out-of-this-world excitement!*

- Includes two decorated, ready-to-fly rockets: the "Space Fighter" and "Flying Saucer." Set also features six high-performance Micro Maxx motors with igniters and a complete launch system with launch pad and Q2 controller.
- Both rockets include a unique bayonet motor lock.
- Launching requires a 50-foot (1,524 cm) radius. Reusable range box packaging adds ease and portability.



**QUEST5623**  
Mfg# 5623

## Quest™ RTF - Micro Roc Space Pioneers Dual Set

*Two of America's most celebrated spacecraft!*

- Set includes two replicas of the popular "Saturn V" and the "Space Shuttle". Also included are six high-performance Micro Maxx motors with igniters and a complete launch system with launch pad and Q2 controller.
- Each decorated, ready-to-fly rocket features a unique bayonet motor lock.
- Launching requires a 50-foot (1,524 cm) radius. Reusable range box packaging provides portability.



**MDPU9033**  
Mfg# 90



## Model Power® Freight Car Assortment – HO Scale

*24 freight cars – one incredible collection!*

- Includes two Kodak® chemical tanks, two CSX® B&O 40' gondolas, two State of Maine 40' reefers, two CN 40' boxcars with sliding doors...and 16 more!
- All items in this Great Planes® exclusive set are equipped with knuckle couplers.



**MDPU9034**  
Mfg# 81

## Model Power® Freight Car Assortment – N Scale

*Get 24 fantastic freight cars in an instant!*

- A Great Planes® exclusive.
- Collection includes two each of the Shell® 40' 3-dome tanker car, the Brach's® 4-bay hopper, the Hood's® Milk 40' refrigerator car – and 18 more!



**HWMV2796**  
Mfg# V2796

## Hot Wheels® 1/50 Scale Cars 2 Diecast Assortment

*Great for kids and kids at heart!*

- Set includes 24 characters from the animated blockbuster.
- Vehicles include Lightning McQueen® with Racing Wheels, Race Team Mater®, Finn McMissile and Jeff Gorvette.
- Assortments may vary. Ages 3 and up.

## HEXBUG® Nano™ Micro Robotics Assortment

*Palm-sized robots that glow-in-the-dark!*

- They behave like real bugs, and flip over by themselves.
- Set includes 30 battery-powered 'bots in all.
- Batteries included. Ages 3 and up. Assortments may vary.



**IFIX1050**  
Mfg# 451-1743-30PK

## HEXBUG® Spiders 10-Pack Micro Robot Assortment

*You'll go "buggy" for these 'bots!*

- Set includes ten palm-sized crawling spiders with 360° rotating heads.
- They can move in any direction, thanks to a 2-channel infrared remote control.
- Batteries are also included. Assortments may vary. Ages 8 and up.



**IFIX1060**  
Mfg# HEXBUG-Spider

## HEXBUG® Nano™ Glow-in-the-Dark Habitat Set Assortment

*Instant mega set – collect and connect with other Hex Bug Nano habitats!*

- Assortment includes four sets, each with two rare Nano bug mutations and ten easy-to-collect pieces.
- Glow-in-the-dark 'bots behave like real bugs, with the ability to flip over by themselves.
- "Mutations" also feature working doors. Ages 3 and up.



**IFIX2000**  
Mfg# 477-1929

## Nano Magnetics Nanodots™ Magnetic Constructors

*The toy anyone can enjoy that's educational, too!*

- Mini-sized Neodymium beads are engineered for durability and strength.
- Create cool geometric models, sculptures, wacky designs and more – the possibilities are endless!
- Each set includes 216 Nanodots, a plush carrying pouch and assembly instructions.
- Flexible **Nanopad™ Nano Game Pad** features a full-size chess board on one side. IronWeave™ technology provides impact resistance and durability.

**Also Available:**

<b>NANX0002</b>	216BLK	Black
<b>NANX0003</b>	216SLV	Silver
<b>NANX0004</b>	216GLD	Gold
<b>NANX0005</b>	NANOPAD	Nano Game Pad



**NANX0001**  
Mfg# 216OR  
Original





**MAIC1057**  
Mfg# 81057

## Maisto® 1/24 Scale Lamborghini® Aventador LP 700-4 RTR

*Refined "super sports car" racing.*

- Includes a dashboard-style radio controller.
- Requires 2 "AAA" batteries and 1 9V battery.
- Colors may vary. Ages 8 and up.



**CFKY1659**  
Mfg# 1659000

## Creativity for Kids® Recycled Cardboard Zoo

*Design the zoo of your dreams.*

- 100-piece set lets you turn any play area into an animal-packed attraction.
- Recycled cardboard packaging becomes a color-in playmat.
- Includes six dual-tip washable markers, 11 velvet-flocked animals, sparkly stickers, self-adhesive wiggly eyes and more.
- Contents may vary. Ages 4 and up.



**LATY2320**  
Mfg# 20320

## Artesania Latina® London Telephone Box Kit

*Britain's trademark telephone booth, in 1/10 scale!*

- This highly detailed wooden replica features a functional door and an illustrated, step-by-step instruction manual.
- Length: 3.8 in (97 mm). Height: 10.6 in (270 mm).



**LATY2321**  
Mfg# 20321

## Artesania Latina® Gutenberg Printing Press Kit

*Reading revolutionized.*

- This fully functional kit is made from solid Oregon pine wood. Includes illustrated, step-by-step instructions.
- Length: 7.6 in (192 mm). Height: 7.9 in (201 mm). Base: 4.7 in (120 mm).



**LATY2341**  
Mfg# 20341

## Artesania Latina® 1/15 Scale 7th Cavalry Wagon Kit

*Join General Custer's cavalry!*

- Functional features include a rear door, a forward hatch, a side hatch and wheels. Paint and glue required.
- Accessories include an optional set of pulling horses.
- Length: 17.7 in (450 mm). Height: 8.3 in (210 mm).



# GREAT



**NEWS<sup>®</sup>**

**T PLANES<sup>®</sup>**

**D I S T R I B U T O R S**