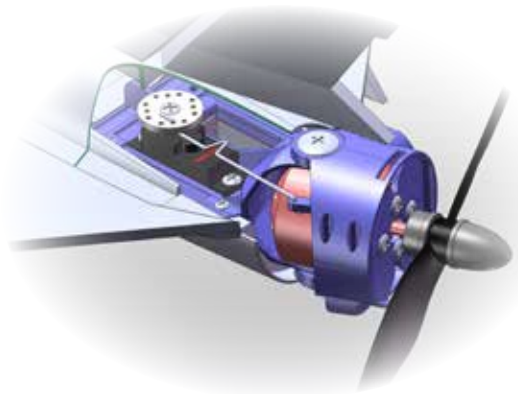


hadron™



execute extreme maneuvers

With nearly all of their flying surfaces horizontal by design, flying wings are limited when it comes to yaw authority. The Flyzone Hadron stretches the envelope to include knife edge, violent spinning maneuvers and extreme aerobatics. How? Credit the large fin, plus a thrust vectoring unit that allows the Hadron's experienced pilot to tilt the motor and redirect the thrust — giving the model greater maneuvering potential in addition to exciting speed!

Recommended Products

TACJ2650	Tactic TTX650 6-Channel 2.4GHz SLT Computer Transmitter - <i>or</i> -
FUTK6000	Futaba 6J 6-Channel 2.4GHz S-FHSS Computer Radio and
TACJ2005	Tactic AnyLink2 2.4GHz Radio Adapter (Tx-R only)
TACL0624	Tactic TR624 6-Channel 2.4GHz SLT Receiver (Only for Rx-R and SLT radio use)
GPMP0861	ElectriFly 11.1V 2200mAh 30C LiPo Battery (Rx-R only)
GPMM3318	ElectriFly 3S AC/DC LiPo Smart Balancing Charger (Rx-R only)

Recommended Options

TACJ2600	Tactic TTX600 6-Channel 2.4GHz SLT Radio System
GPMP0862	ElectriFly 14.8V 2200mAh 30C LiPo Battery
GPMM3155	ElectriFly Triton EQ AC/DC Charger/Discharger/Cycler

Ask your hobby dealer for additional recommendations.

WARNING: The Hadron requires advanced flying skills and is not suitable for beginning or intermediate pilots. It can reach high speeds and should only be flown at an AMA-chartered club's flying site. Because it can quickly disappear from sight, pilots should remain focused on the plane at all times.

For more information on the AnyLink2, transmitter compatibility and requirements, see tacticrc.com/anylink2.

Tx-R
TRANSMITTER-READY™

FLZA3612

Wingspan: 33.5 in (850 mm)

Weight: 29.6 oz (840 g)

Length: 33.5 in (850 mm)

Includes: 35-36-2200kV brushless outrunner motor, 40A ESC, 6-Channel SLT receiver, 4 servos, 11.1V 2200mAh LiPo battery, DC LiPo balancing charger & props for 11.1V & 14.8V operation

Requires: 6-channel SLT computer transmitter - *or* - AnyLink2 **and** compatible 6-channel transmitter

Rx-R
RECEIVER-READY™



FLZA3614

Wingspan: 33.5 in (850 mm)

Length: 33.5 in (850 mm)

Weight: 29.6-31.3 oz

Includes: 35-36-2200kV brushless outrunner motor, 40A ESC, 4 servos & props for 11.1V & 14.8V operation

Requires: 6-channel computer transmitter, 6-channel receiver, 11.1V-14.8V 2200mAh LiPo battery & LiPo charger

Deans' and Ultra Plug® are registered trademarks of W.S. Deans Co.