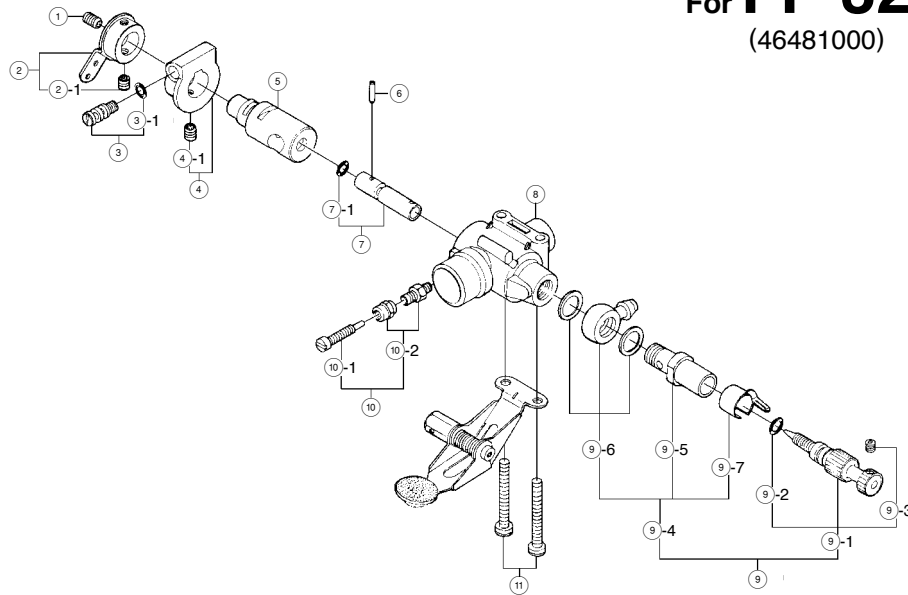


For **FF-320**
(46481000)



Note: The choke valve assembly is not included in the carburettor complete.

For FF-320 < Pegasus320 >

No.	Code No.	Description
①	2 6381 501	Set-screw
②	2 4981 405	Throttle Lever Assembly
②-1	2 6381 501	Set-screw
③	4 6481 320	Mixture Control Screw
③-1	2 2781 800	"O" Ring (2pcs.)
④	4 6481 330	Mixture Control Screw Holder Assembly
④-1	2 6381 501	Set-screw
⑤	4 6481 200	Carburettor Rotor
⑥	4 6281 340	Mixture Control Valve Pin
⑦	4 6481 310	Mixture Control Valve Assembly
⑦-1	2 2781 800	"O" Ring (2pcs.)
⑧	4 6481 100	Carburettor Body
⑨	4 6281 900	Needle Valve Assembly
⑨-1	2 9081 952	Needle
⑨-2	2 4981 837	"O" Ring (2pcs.)
⑨-3	2 6381 501	Set-screw
⑨-4	4 6181 940	Needle Valve Holder Assembly
⑨-5	4 6181 941	Needle Valve Holder
⑨-6	4 6181 950	Fuel Inlet
⑨-7	2 6711 305	Ratchet Spring
⑩	2 6781 619	Throttle Stop Screw Assembly
⑩-1	2 6681 305	Throttle Stop Screw
⑩-2	2 6681 803	Throttle Stop Screw Holder
⑪	4 5581 700	Carburettor Fixing Screw