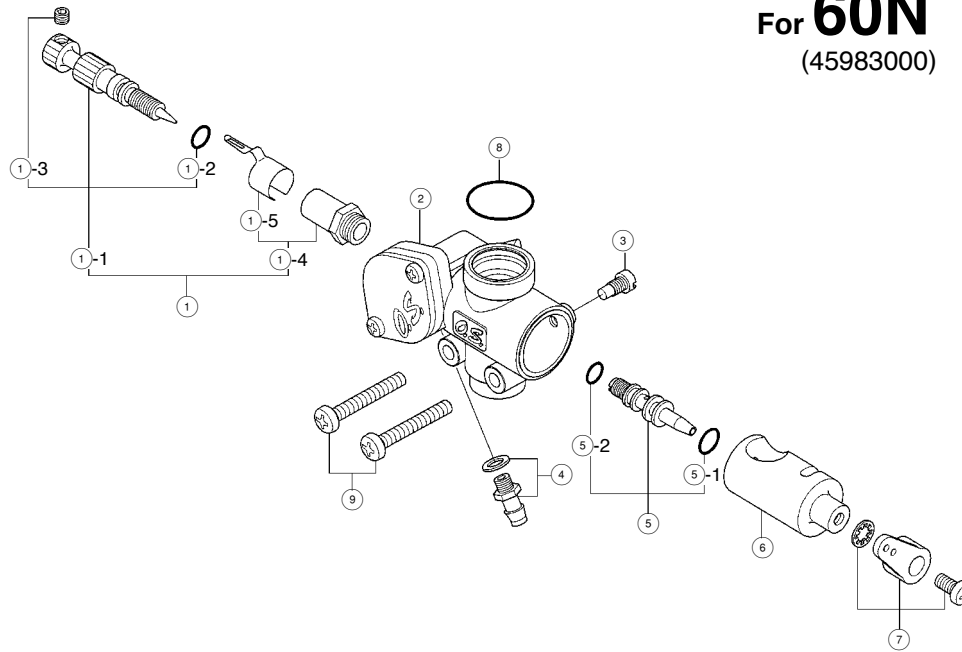


For **60N**  
(45983000)



For FS-91S II -P

No.	Code No.	Description
①	2 7681 900	Needle Valve Assembly
①-1	2 7681 970	Needle
①-2	2 4981 837	"O" Ring
①-3	2 6381 501	Set Screw
①-4	2 7381 940	Needle Valve Holder Assembly
①-5	2 6711 305	Ratchet Spring
②	4 5983 100	Carburettor Body
③	4 5581 820	Rotor Guide Screw
④	2 2681 953	Fuel Inlet
⑤	4 5582 300	Mixture Control Valve
⑤-1	4 6066 319	"O" Ring(L)
⑤-2	2 4881 824	"O" Ring(S)
⑥	4 5983 200	Carburettor Rotor
⑦	2 7881 400	Throttle Lever Assembly
⑧	4 6115 000	Carburettor Rubber Gasket
⑨	4 5581 700	Carburettor Fixing Screw