

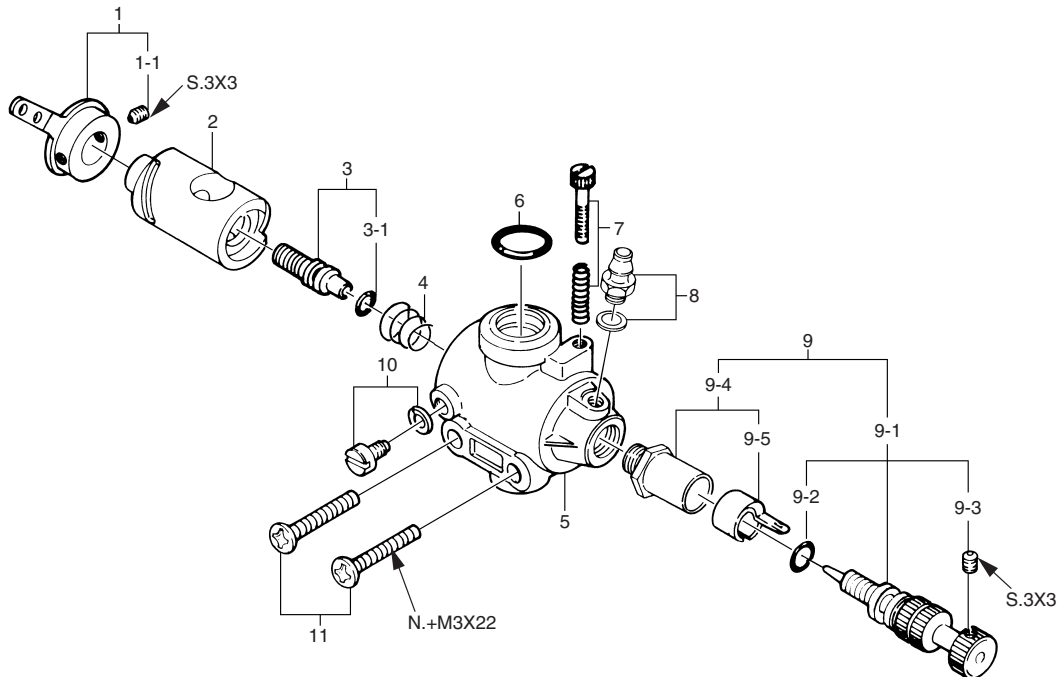
\*Type of screw

C...Cap Screw M...Oval Fillister-Head Screw

F...Flat Head Screw N...Round Head Screw S...Set Screw

| No. | Code No. | Description                                 |
|-----|----------|---|
| 1   | 45513010 | Screw Set                                   |
| 2   | 45504210 | Rocker Cover                                |
| 3   | 45561401 | Rocker Support Assembly                     |
| 3-1 | 45561410 | Rocker Support                              |
| 3-2 | 45761600 | Rocker Arm Retainer (2pcs.)                 |
| 4   | 45561010 | Rocker Arm Assembly (1pair)                 |
| 4-1 | 45561110 | Rocker Arm (1pc.)                           |
| 4-2 | 45061202 | Tappet Adjusting Screw                      |
| 5   | 45560030 | Intake Valve Assembly (1pair)               |
| 5-1 | 45560130 | Intake Valve (1pc.)                         |
| 5-2 | 45560210 | Valve Spring (1pc.)                         |
| 5-3 | 45560310 | Valve Spring Retainer (1pc.)                |
| 5-4 | 45560410 | Split Cotter (2ps./1pair)                   |
| 6   | 45560040 | Exhaust Valve Assembly (1pair)              |
| 6-1 | 45560140 | Exhaust Valve (1pc.)                        |
| 6-2 | 45560220 | Valve Spring (1pc.)                         |
| 6-3 | 45560310 | Valve Spring Retainer (1pc.)                |
| 6-4 | 45560410 | Split Cotter (2ps./1pair)                   |
| 7   | 45504111 | Cylinder Head (w/Gasket)                    |
| 8   | 45504021 | Cylinder Head (W/Gasket and Valve Assembly) |
| 9   | 45569420 | Intake Pipe Assembly                        |
| 10  | 45581000 | Carburetor Complete                         |
| 11  | 45484000 | Choke Valve Assembly                        |
| 12  | 45503400 | Piston Ring                                 |
| 13  | 45503210 | Piston                                      |
| 14  | 45506010 | Piston Pin                                  |
| 15  | 29017004 | Piston Pin Retainer                         |
| 16  | 45505010 | Connecting Rod                              |
| 17  | 45503100 | Cylinder Liner                              |
| 18  | 45507010 | Cover Plate                                 |

| No.  | Code No. | Description                     |
|------|----------|---------------------------------|
| 19   | 45502011 | Crankshaft                      |
| 20   | 45530010 | Crankshaft Ball Bearing (Rear)  |
| 21   | 45514010 | Gasket Set                      |
| 22   | 45501020 | Crankcase                       |
| 23   | 22681953 | Breather Nipple (No.1)          |
| 24   | 45231100 | Camshaft Ball Bearing (1pcs.)   |
| 25   | 45562010 | Camshaft                        |
| 26   | 45501110 | Cam Cover                       |
| 27   | 45566000 | Push Rod (2pcs.)                |
| 28   | 45566101 | Push Rod Cover Assembly (2pcs.) |
| 28-1 | 45566111 | Push Rod Cover (1pcs.)          |
| 28-2 | 45566310 | Push Rod Cover "O" Ring (2pcs.) |
| 29   | 45564000 | Cam Follower (2pcs.)            |
| 30   | 29031009 | Crankshaft Ball Bearing (Front) |
| 31   | 45520000 | Thrust Washer                   |
| 32   | 45508030 | Drive Hub                       |
| 32-1 | 45508200 | Woodruff Key                    |
| 33   | 45510100 | Lock Nut Set                    |
|      | 45525001 | Silencer Assembly               |
|      | 45525011 | Silencer Body                   |
|      | 45526010 | Exhaust Header Pipe Assembly    |
|      | 45526100 | Exhaust Header Pipe             |
|      | 45526200 | Exhaust Joint                   |
|      | 45526300 | Exhaust Joint Nut               |
|      | 45526400 | Header Pipe Nut                 |
|      | 71615009 | Glow Plug Type F                |



\* Type of screw  
 C...Cap Screw M...Oval Fillister-Head Screw  
 F...Flat Head Screw N...Round Head Screw S...Set Screw

| No. | Code No. | Description                        |
|-----|----------|------------------------------------|
| 1   | 24981405 | Throttle Lever Assembly            |
| 1-1 | 26381501 | Set Screw                          |
| 2   | 45581200 | Carburetor Rotor                   |
| 3   | 26781309 | Mixture Control Valve Assembly     |
| 3-1 | 24881824 | "O" Ring (2pcs.)                   |
| 4   | 26781506 | Rotor Spring                       |
| 5   | 45581100 | Carburetor Body                    |
| 6   | 45515000 | Carburetor Rubber Gasket           |
| 7   | 22381300 | Throttle Stop Screw                |
| 8   | 22681953 | Fuel Inlet (No.1)                  |
| 9   | 27481900 | Needle Valve Assembly              |
| 9-1 | 45581970 | Needle Assembly                    |
| 9-2 | 24981837 | "O" Ring (2pcs.)                   |
| 9-3 | 26381501 | Set Screw                          |
| 9-4 | 27381940 | Needle Valve Holder Assembly       |
| 9-5 | 26711305 | Ratchet Spring                     |
| 10  | 45581820 | Rotor Guide Screw                  |
| 11  | 45581700 | Carburetor Retaining Screw (2pcs.) |

**O.S. GENUINE PARTS & ACCESSORIES**

| Code No. | Description   |
|----------|---|
| 71904200 | Radial Motor Mount                                  |
| 72200080 | Needle Valve Extension Cable Set                    |
| 72109200 | EX Exhaust Header Pipe (Inside fuselage)            |
| 72109300 | EX Exhaust Header Pipe (Outside fuselage)           |
| 72108201 | Flexible Exhaust Pipe A (120mm)                     |
| 72108211 | Flexible Exhaust Pipe B (240mm)                     |
| 45910200 | Propeller Locknut Set (For Spinner)                 |
| 45910300 | 5/16"-M5 Propeller Locknut Set For Truturn Spinners |
| 72200130 | Booster Terminal Kit                                |
| 72200110 | Booster Cable Set                                   |
| 72403050 | Super Filter (L)                                    |
| 71531000 | Non-Bubble Weight                                   |
| 72200060 | Valve Adjusting Tool Kit                            |
| 79871020 | M2.6x7 Cap Screw Set (10pcs.)                       |
| 79871050 | M2.6x15 Cap Screw Set (10pcs.)                      |
| 79871080 | M3.5x12 Cap Screw Set (10pcs.)                      |
| 79871100 | M3.5x20 Cap Screw Set (10pcs.)                      |
| 71521000 | Long Socket Wrench With Plug Grip                   |