

CAP SCREW SETS (10pcs./sets)

Code No.	Size	Pcs. used in an engine
79871020	M2.6x7	Cam Cover Retaining Screw (2pcs.) Intake Manifold Retaining Screw (2pcs.)
79871040	M2.6x12	Rocker Cover Retaining Screw (2pcs.)
79871110	M3x8	Cover Plate Retaining Screw (4pcs.)
79871150	M3x15	Rocker Support Retaining Screw (1pc.)
79871200	M3x20	Cylinder Head Retaining Screw (5pcs.)

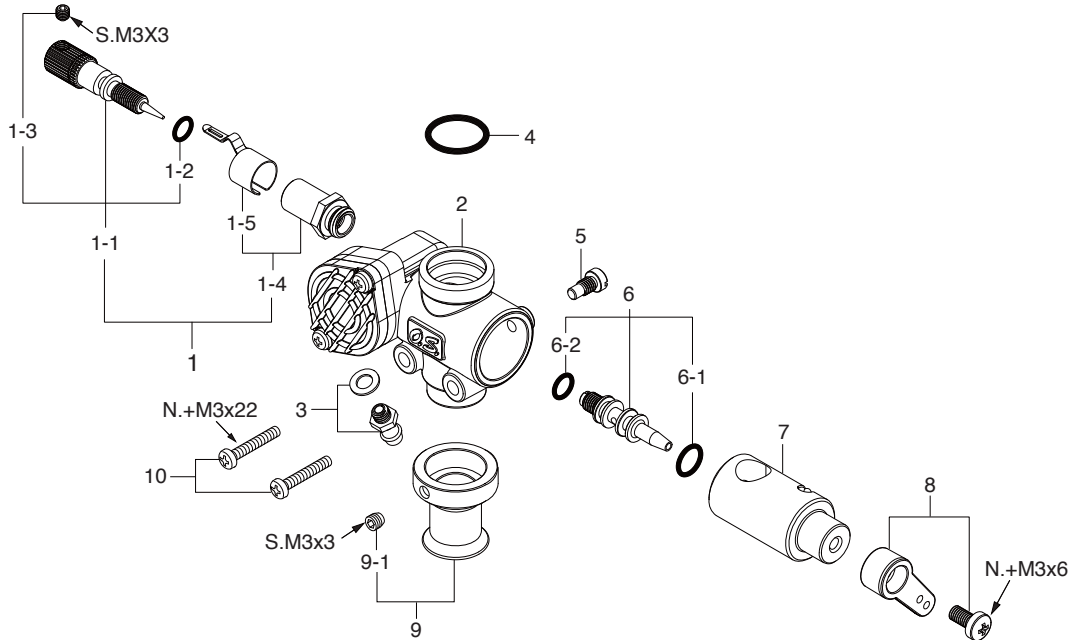
* Type of screw

C...Cap Screw M...Oval Fillister-Head Screw

F...Flat Head Screw N...Round Head Screw S...Set Screw

No.	Code No.	Description
1	44804200	Rocker Cover
2	45761600	Rocker Arm Retainer (2pcs.)
3	45961410	Rocker Support (1pc.)
4	47161100	Rocker Arm (1pc.)
5	45061202	Tappet Adjusting Screw (1pair)
6	45960400	Split Cotter (2pcs.)
7	45960310	Valve Spring Retainer (1pc.)
8	45960210	Valve Spring (1pc.)
9	44850000	Intake Valve (1pc.)
10	44851000	Exhaust Valve (1pc.)
11	44804100	Cylinder Head (W/Gasket)
11-1	44714100	Cylinder Head Gasket (1pc.)
12	44868000	Intake Manifold (1pc.)
13	44882000	Carburetor Complete (Type 61R)
14	45903400	Piston Ring
15	45903200	Piston
16	45906000	Piston Pin
17	44805000	Connecting Rod
18	46103100	Cylinder Liner
19	72508100	Pump Unit PD-08
20	44807030	Cover Plate
21	44802000	Crankshaft
22	45630000	Crankshaft Ball Bearing (Rear)
23	44801000	Crankcase
24	45231100	Camshaft Ball Bearing (1pc.)
25	45962000	Camshaft
26	44801100	Cam Cover
27	44066000	Push Rod (2pcs.)
28	44866100	Push Rod Cover (1pc.)

No.	Code No.	Description
29	24881824	Push Rod Cover "O" Ring (2pcs.)
30	45564000	Cam Follower (2pcs.)
31	26731002	Crankshaft Ball Bearing (Front)
32	46120000	Thrust Washer
33	44808000	Drive Hub (W/woodruff key)
33-1	29008219	Woodruff Key
34	45910100	Lock Nut Set
35	44825000	F-5030 Silencer Assembly
35-1	44825100	Silencer Body
35-2	44825400	Assembly Screw
35-3	44625410	Silencer Gasket (1pc.)
35-4	23081706	Plug Screw
35-5	44825200	Exhaust Header Pipe Assembly
35-6	45626030	Exhaust Header Pipe Nut M11 (1pc.)
	71615009	Glow Plug Type F



*Type of screw

C...Cap Screw M...Oval Fillister-Head Screw
F...Flat Head Screw N...Round Head Screw S...Set Screw

O.S. GENUINE PARTS & ACCESSORIES

No.	Code No.	Description
1	29481900	Needle Valve Assembly
1-1	29481970	Needle Assembly
1-2	24981837	"O" Ring (2pcs.)
1-3	26381501	Set Screw
1-4	27381940	Needle Valve Holder Assembly
1-5	26711305	Ratchet Spring
2	44882100	Carburetor Body
3	22681953	Fuel Inlet (No.1)
4	46115000	Carburetor Rubber Gasket (1pc.)
5	45581820	Rotor Guide Screw
6	45582300	Mixture Control Valve Assembly
6-1	46066319	"O" Ring (L) (2pcs.)
6-2	24881824	"O" Ring (S) (2pcs.)
7	44882200	Carburetor Rotor
8	22081408	Throttle Lever Assembly
9	44381300	Air Funnel
9-1	26381501	Set Screw
10	45581700	Carburetor Retaining Screw (2pcs.)

Code No.	Description
71905030	Radial Motor Mount
45910200	5/16"-M4 Propeller Locknut Set For Spinner
45910300	5/16"-M5 Propeller Locknut Set For Spinner
72200130	O.S. Booster Terminal Kit
72109680	M11 In-Cowl Header Pipe Side 60D
72109690	M11 In-Cowl Header Pipe Inverted 80D
72200080	Needle Valve Extension Cable Set
72403050	Super Filter (L)
71531000	Non-Bubble Weight
71531010	Non-Bubble Weight (S)
72200060	Valve Adjusting Tool Kit
71521000	Long Socket Wrench With Plug Grip