

* Type of screw

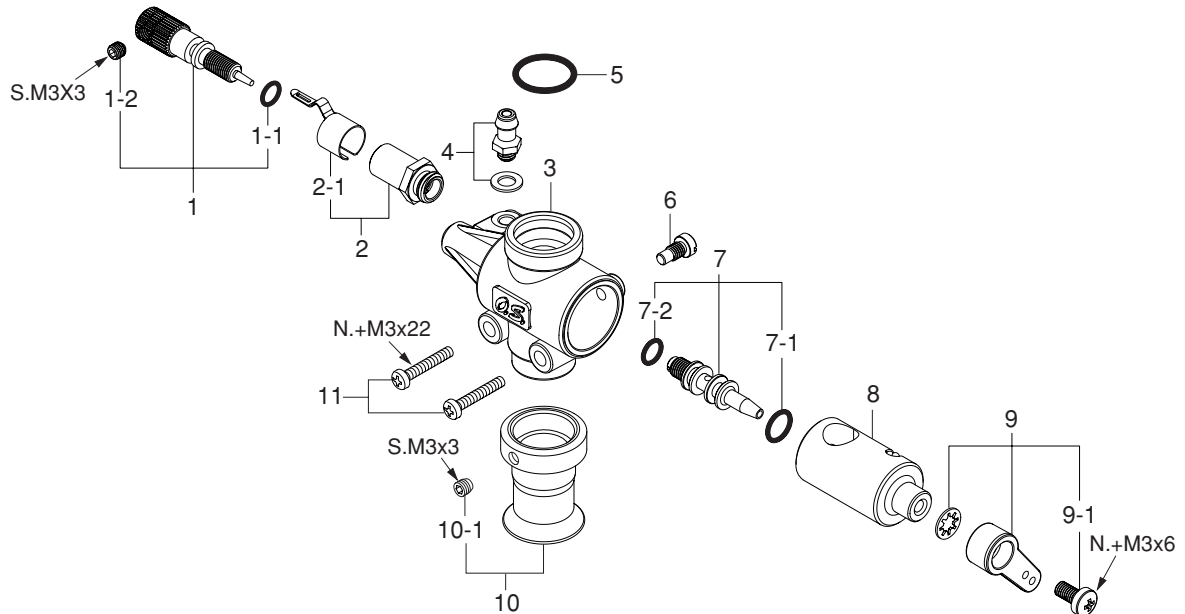
C...Cap Screw M...Oval Fillister-Head Screw
 F...Flat Head Screw N...Round Head Screw S...Set Screw

CAP SCREW SETS (10pcs./sets)

| Code No. | Size | Pcs. used in an engine |
|----------|---------|---|
| 79871020 | M2.6x7 | Cam Cover Retaining Screw (2pcs.) Intake Manifold Retaining Screw (2pcs.) |
| 79871040 | M2.6x12 | Rocker Cover Retaining Screw (2pcs.) |
| 79871110 | M3x8 | Cover Plate Retaining Screw (4pcs.) |
| 79871150 | M3x15 | Rocker Support Retaining Screw (1pc.) |
| 79871200 | M3x20 | Cylinder Head Retaining Screw (5pcs.) |

| No. | Code No. | Description |
|------|----------|---------------------------------|
| 1 | 44804200 | Rocker Cover |
| 2 | 45761600 | Rocker Arm Retainer (2pcs.) |
| 3 | 45961410 | Rocker Support (1pc.) |
| 4 | 44861000 | Rocker Arm (1pc.) |
| 5 | 45061202 | Tappet Adjusting Screw (1pair) |
| 6 | 45960400 | Split Cotter (2pcs.) |
| 7 | 45960310 | Valve Spring Retainer (1pc.) |
| 8 | 45960210 | Valve Spring (1pc.) |
| 9 | 44850000 | Intake Valve (1pc.) |
| 10 | 44851000 | Exhaust Valve (1pc.) |
| 11 | 44804100 | Cylinder Head (W/Gasket) |
| 11-1 | 44714100 | Cylinder Head Gasket (1pc.) |
| 12 | 44868000 | Intake Manifold (1pc.) |
| 13 | 44881000 | Carburetor Complete (Type 60RA) |
| 14 | 45903400 | Piston Ring |
| 15 | 45903200 | Piston |
| 16 | 45906000 | Piston Pin |
| 17 | 44805000 | Connecting Rod |
| 18 | 46103100 | Cylinder Liner |
| 19 | 44807000 | Cover Plate |
| 20 | 44802000 | Crankshaft |
| 21 | 45630000 | Crankshaft Ball Bearing (Rear) |
| 22 | 44801000 | Crankcase |
| 23 | 45231100 | Camshaft Ball Bearing (1pc.) |
| 24 | 45962000 | Camshaft |
| 25 | 44801100 | Cam Cover |
| 26 | 44066000 | Push Rod (2pcs.) |
| 27 | 44866100 | Push Rod Cover (1pc.) |
| 28 | 24881824 | Push Rod Cover "O" Ring (2pcs.) |

| No. | Code No. | Description |
|------|----------|------------------------------------|
| 29 | 45564000 | Cam Follower (2pcs.) |
| 30 | 26731002 | Crankshaft Ball Bearing (Front) |
| 31 | 46120000 | Thrust Washer |
| 32 | 44808000 | Drive Hub (W/woodruff key) |
| 32-1 | 29008219 | Woodruff Key |
| 33 | 45910100 | Lock Nut Set |
| 34 | 44825000 | F-5030 Silencer Assembly |
| 34-1 | 44825100 | Silencer Body |
| 34-2 | 44825400 | Assembly Screw |
| 34-3 | 44625410 | Silencer Gasket (1pc.) |
| 34-4 | 22681957 | Pressure Nipple (No.7) |
| 34-5 | 44825200 | Exhaust Header Pipe Assembly |
| 34-6 | 45626030 | Exhaust Header Pipe Nut M11 (1pc.) |
| | 71615009 | Glow Plug Type F |



*Type of screw

C...Cap Screw M...Oval Fillister-Head Screw

F...Flat Head Screw N...Round Head Screw S...Set Screw

O.S. GENUINE PARTS & ACCESSORIES

| No. | Code No. | Description |
|------|----------|------------------------------------|
| 1 | 44881970 | Needle Assembly |
| 1-1 | 24981837 | "O" Ring (2pcs.) |
| 1-2 | 26381501 | Set Screw |
| 2 | 27381940 | Needle Valve Holder Assembly |
| 2-1 | 26711305 | Ratchet Spring |
| 3 | 44082100 | Carburetor Body |
| 4 | 22681953 | Fuel Inlet (No.1) |
| 5 | 46115000 | Carburetor Rubber Gasket (1pc.) |
| 6 | 45581820 | Rotor Guide Screw |
| 7 | 45582300 | Mixture Control Valve Assembly |
| 7-1 | 46066319 | "O" Ring (L) (2pcs.) |
| 7-2 | 24881824 | "O" Ring (S) (2pcs.) |
| 8 | 44082200 | Carburetor Rotor |
| 9 | 27881400 | Throttle Lever Assembly |
| 9-1 | 22081313 | Throttle Lever Retaining Screw |
| 10 | 44881300 | Air Funnel |
| 10-1 | 26381501 | Set Screw |
| 11 | 45581700 | Carburetor Retaining Screw (2pcs.) |

| Code No. | Description |
|----------|--|
| 71905000 | Radial Motor Mount |
| 72200080 | Needle Valve Extension Cable Set |
| 72200110 | Booster Cable Set |
| 72200130 | O.S. Booster Terminal Kit |
| 45910200 | 5/16"-M4 Propeller Locknut Set For Spinner |
| 45910300 | 5/16"-M5 Propeller Locknut Set For Spinner |
| 72108100 | Flexible Exhaust Pipe 1111A (120mm) |
| 72108110 | Flexible Exhaust Pipe 1111B (240mm) |
| 72108120 | Flexible Exhaust Pipe 1111C (170mm) |
| 72108130 | Flexible Exhaust Pipe 1111D (330mm) |
| 72109500 | EX Exhaust Header Pipe (IN) |
| 72109600 | EX Exhaust Header Pipe (OUT) |
| 71531000 | Non-Bubble Weight |
| 71531010 | Non-Bubble Weight (S) |
| 72403050 | Super Filter (L) |
| 72200060 | Valve Adjusting Tool Kit |
| 79870030 | M3 Blind Nut (10pcs./set) |
| 79870040 | M4 Blind Nut (10pcs./set) |
| 55500002 | M3 Lock Washer (10sets.) |
| 55500003 | M4 Lock Washer (10sets.) |
| 71521000 | Long Socket Wrench With Plug Grip |