

CAP SCREW SETS (10pcs./sets)

Code No.	Size	Pcs. used in an engine
79871020	M2.6x7	Cam Cover Retaining Screw (2pcs.) Intake Manifold Retaining Screw (2pcs.)
79871030	M2.6x10	Rocker Cover Retaining Screw (2pcs.)
79871055	M2.6x18	Carburetor Retaining Screw (2pcs.)
79871110	M3x8	Cover Plate Retaining Screw (4pcs.)
79871140	M3x12	Rocker Support Retaining Screw (1pc.)
79871180	M3x18	Cylinder Head Retaining Screw (5pcs.)

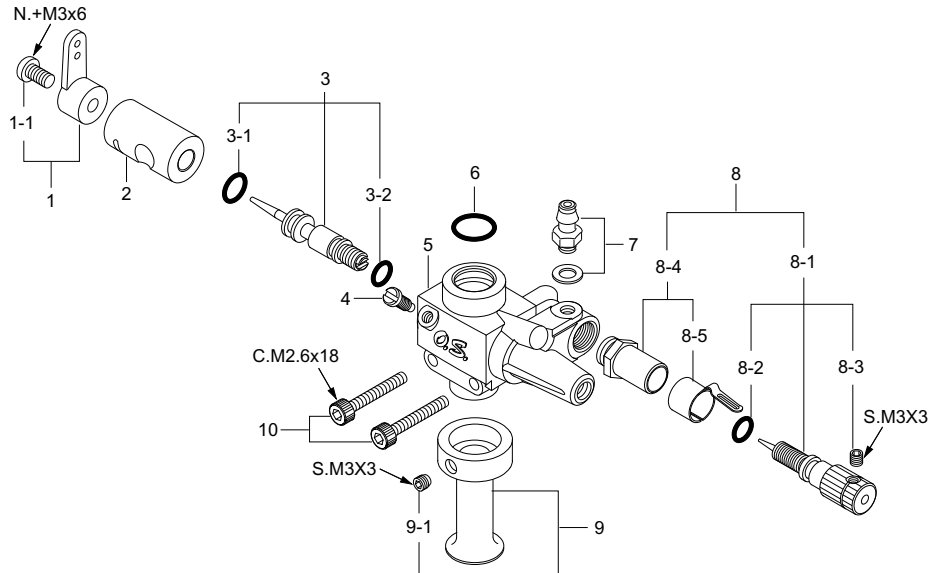
* Type of screw

C...Cap Screw M...Oval Fillister-Head Screw

F...Flat Head Screw N...Round Head Screw S...Set Screw

No.	Code No.	Description
1	44604200	Rocker Cover
2	45761600	Rocker Arm Retainer (2pcs.)
3	45261410	Rocker Support (1pc.)
4	45261110	Rocker Arm (1pc.)
5	45761200	Tappet Adjusting Screw (1pair)
6	46160400	Valve Spring Retainer (1pc.)
7	44660300	Valve Spring Seat (2pcs.)
8	44660200	Valve Spring (1pc.)
9	44650000	Intake Valve (1pc.)
10	44651000	Exhaust Valve (1pc.)
11	44604100	Cylinder Head (W/Gasket)
12	44614100	Cylinder Head Gasket (1pc.)
13	44669400	Intake Manifold (1pc.)
14	44681000	Carburetor Complete (Type 40NA)
15	44603400	Piston Ring
16	44603200	Piston
17	44606000	Piston Pin
18	44605000	Connecting Rod
19	44603100	Cylinder Liner
20	44607000	Cover Plate
21	44602000	Crankshaft
22	44230000	Crankshaft Ball Bearing (Rear)
23	44601000	Crankcase
24	45231100	Camshaft Ball Bearing (1pc.)
25	45262010	Camshaft
26	44601100	Cam Cover
27	44666000	Push Rod (2pcs.)
28	44666100	Push Rod Cover (1pc.)
29	27881840	Push Rod Cover "O" Ring (2pcs.)

No.	Code No.	Description
30	45664000	Cam Follower (2pcs.)
31	26531005	Crankshaft Ball Bearing (Front)
32	45808000	Drive Hub (W/woodruff key)
32-1	27708200	Woodruff Key
33	45810100	Lock Nut Set
34	44625000	F-4040 Silencer Assembly
34-1	44625100	Silencer Body
34-2	44625400	Assembly Screw
34-3	44625410	Silencer Gasket (1pc.)
34-4	22681957	Pressure Nipple (No.7)
34-5	44625200	Exhaust Header Pipe Assembly
34-6	45626010	Exhaust Header Pipe Nut M10 (1pc.)
	71615009	Glow Plug Type F



* Type of screw

C...Cap Screw M...Oval Fillister-Head Screw

F...Flat Head Screw N...Round Head Screw S...Set Screw

O.S. GENUINE PARTS & ACCESSORIES

No.	Code No.	Description
1	22081408	Throttle Lever Assembly
1-1	22081313	Throttle Lever Retaining Screw
2	44681200	Carburetor Rotor
3	44681600	Mixture Control Nozzle Assembly
3-1	46066319	"O" Ring (L) (2pcs.)
3-2	24881824	"O" Ring (S) (2pcs.)
4	21285220	Rotor Guide Screw
5	44281100	Carburetor Body
6	45115000	Carburetor Rubber Gasket (1pc.)
7	22681953	Fuel Inlet (No.1)
8	44281900	Needle Valve Assembly
8-1	44281970	Needle Assembly
8-2	24981837	"O" Ring (2pcs.)
8-3	26381501	Set Screw
8-4	27381940	Needle Valve Holder Assembly
8-5	26711305	Ratchet Spring
9	44681300	Air Funnel
9-1	26381501	Set Screw
10	79871055	Carburetor Retaining Screw (10pcs.)

Code No.	Description
71913000	Radial Motor Mount
45810200	Propeller Locknut Set (For Spinner)
45810300	1/4"-M5 Propeller Locknut Set For 4C Spinner
72108300	Flexible Exhaust Pipe 1010A (120mm)
72108310	Flexible Exhaust Pipe 1010B (240mm)
71531000	Non-Bubble Weight
71531010	Non-Bubble Weight (S)
72403050	Super Filter (L)
72200080	Needle Valve Extension Cable Set
72200060	Valve Adjusting Tool Kit
71521000	Long Socket Wrench With Plug Grip