

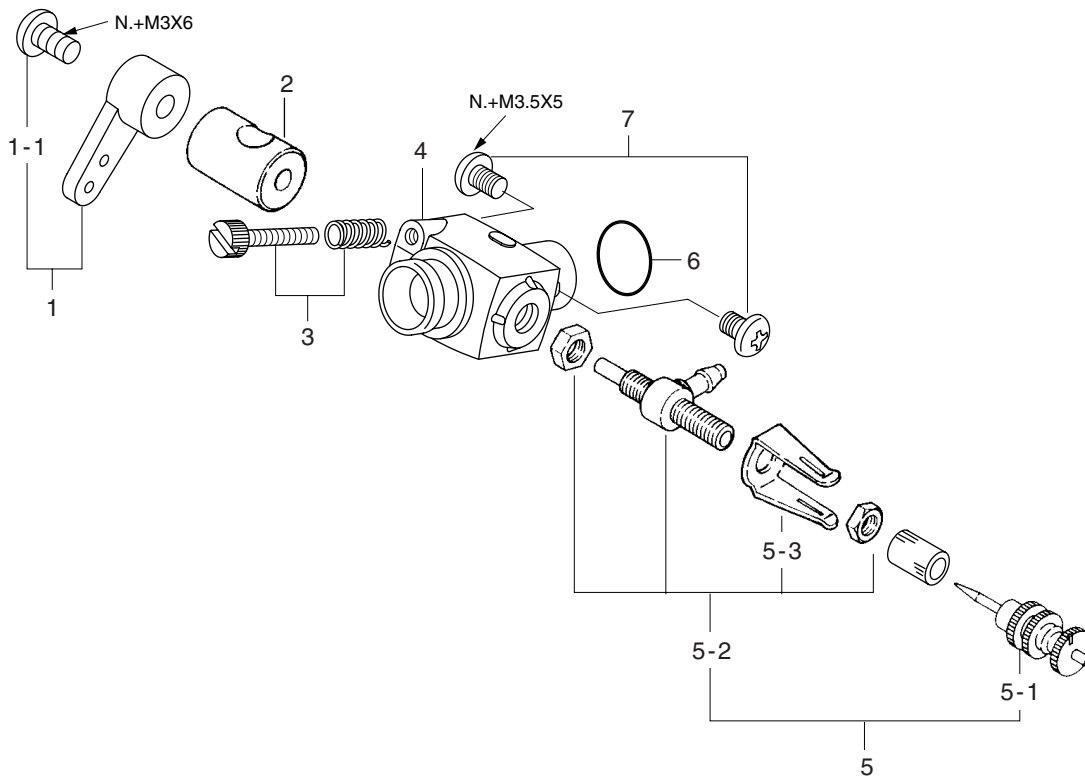
\*Type of screw

C...Cap Screw M...Oval Fillister-Head Screw

F...Flat Head Screw N...Round Head Screw S...Set Screw

| No.  | Code No. | Description                         |
|------|----------|-------------------------------------|
| 1    | 44113000 | Screw Set                           |
| 2    | 45704210 | Rocker Cover                        |
| 3    | 45761400 | Rocker Support Assembly             |
| 3-1  | 45761410 | Rocker Support Retainer             |
| 3-2  | 45761600 | Rocker Arm Retainer (2pcs.)         |
| 4    | 45761000 | Rocker Arm Assembly (1pair)         |
| 4-1  | 45761100 | Rocker Arm (1pc.)                   |
| 4-2  | 45761200 | Tappet Adjusting Screw              |
| 5    | 45760020 | Valve Assembly (1pair)              |
| 5-1  | 45760110 | Valve (1pc.)                        |
| 5-2  | 45760210 | Valve Spring (1pc.)                 |
| 5-3  | 45060309 | Valve Spring Seat (1pc.)            |
| 5-4  | 46160400 | Valve Spring Retainer (2ps.)        |
| 6    | 44104100 | Cylinder Head                       |
| 7    | 44104020 | Cylinder Head Assembly              |
| 8    | 45769200 | Exhaust Pipe Lock Nut               |
| 9    | 21381950 | Insulator                           |
| 10   | 44169400 | Intake Pipe Assembly                |
| 10-1 | 23081725 | Intake Pipe Retaining Screw (2pcs.) |
| 11   | 21381050 | Carburetor Complete (Type 1AB-K6)   |
| 12   | 22714100 | Cylinder Head Gasket                |
| 13   | 44103400 | Piston Ring                         |
| 14   | 44103200 | Piston                              |
| 15   | 22706000 | Piston Pin                          |
| 16   | 45705000 | Connecting Rod                      |
| 17   | 44103100 | Cylinder Liner                      |
| 18   | 73003000 | No.5 Recoil Starter Assembly        |
| 18-1 | 73003100 | No.5 Recoil Starter Body            |
| 18-2 | 73003200 | No.5 One-way Clutch                 |
| 19   | 44121000 | Rear Adaptor                        |
| 20   | 44121200 | Starting Shaft                      |
| 21   | 44102100 | Crankshaft                          |
| 21-1 | 45702100 | Crankshaft Spacer                   |
| 22   | 22630002 | Crankshaft Ball Bearing (Rear)      |
| 23   | 44101020 | Crankcase                           |
| 24   | 45762100 | Thrust Ball (2pcs.)                 |
| 25   | 45762010 | Camshaft                            |

| No.  | Code No. | Description                                 |
|------|----------|---|
| 26   | 45701110 | Cam Cover                                   |
| 27   | 44166000 | Push Rod (2pcs.)                            |
| 28   | 44166100 | Push Rod Cover Assembly (2pcs.)             |
| 28-1 | 44166110 | Push Rod Cover (1pcs.)                      |
| 28-2 | 24881824 | Push Rod Cover "O" Ring (2pcs.)             |
| 29   | 45264000 | Cam Follower (2pcs.)                        |
| 30   | 45231000 | Crankshaft Ball Bearing (Front)             |
| 31   | 23210007 | Propeller Nut                               |
|      | 71615009 | Glow Plug Type F                            |
|      | 72404200 | Engine Mount Spacer                         |
|      | 72403100 | Super Air Cleaner 101 (W/3 filter elements) |
|      | 72403110 | 101 Cleaner Body                            |
|      | 72403120 | 101,102 Filter Element (6pcs.)              |



\* Type of screw

C...Cap Screw M...Oval Fillister-Head Screw

F...Flat Head Screw N...Round Head Screw S...Set Screw

| No. | Code No. | Description                        |
|-----|----------|------------------------------------|
| 1   | 22081408 | Throttle Lever Assembly            |
| 1-1 | 22081313 | Throttle Lever Retaining Screw     |
| 2   | 21781200 | Carburetor Rotor                   |
| 3   | 22081811 | Throttle Stop Screw                |
| 4   | 21381130 | Carburetor Body                    |
| 5   | 21181902 | Needle-valve Assembly              |
| 5-1 | 21181976 | Needle                             |
| 5-2 | 21181967 | Nozzle Assembly                    |
| 5-3 | 21111300 | Ratchet Spring                     |
| 6   | 21015001 | Carburetor Rubber Gasket           |
| 7   | 23081706 | Carburetor Retaining Screw (2pcs.) |

### O.S. GENUINE PARTS & ACCESSORIES

| Code No. | Description   |
|----------|---|
| 44126000 | Hyper Exhaust Set (For Kyosho Super 10)   |
| 44126010 | Hyper Exhaust Set (For Kyosho Spider)   |
| 72103310 | Super Joint Tube 15   |
| 44125100 | F-2000 4C Car Silencer  |
| 72103030 | T-1030 Tuned Silencer For 1/10 off-road buggy and scale car.                      |
| 72103031 | T-1031 Tuned Silencer Exhaust outlet pipe is located on right side of silencer.   |
| 72103032 | T-1032 Tuned Silencer Is located on left side of silencer IFMAR regulation legal. |
| 73300305 | Dust Cap Set $\varnothing 3$ (5pcs.) (for Carburetor Nipple)                      |
| 73300712 | Dust Cap Set $\varnothing 7$ (3pcs.) (for Tuned Silencer)                         |
| 73300812 | Dust Cap Set $\varnothing 8$ (3pcs.) (for Carburetor)                             |
| 79871020 | M2.6x7 Cap Screw Set (10pcs.)   |
| 79871040 | M2.6x12 Cap Screw Set (10pcs.)  |
| 72200060 | Valve Adjusting Tool Kit  |
| 71521000 | Long Socket Wrench With Plug Grip   |