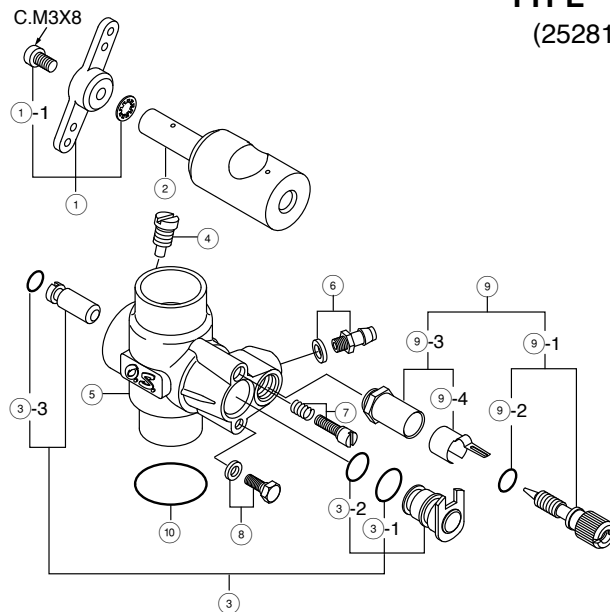


# TYPE 40E

(25281000)



\* Type of screw

C...Cap Screw B...Binding Head Screw M...Oval Fillister-head Screw F...Flat Head Screw N...Round Head Screw S...Set Screw

For 50SX-HRING,HGRING

No.	Code No.	Description
①	2 7381 410	Throttle Lever Assembly
①-1	2 2826 131	Throttle Lever Retaining Screw
②	2 5281 200	Carburetor Rotor
③	2 5281 600	Mixture Control Valve Assembly
③-1	2 7881 810	"O" Ring (L) (2pcs.)
③-2	2 7881 800	"O" Ring (S) (2pcs.)
③-3	2 7881 820	"O" Ring (L) (2pcs.)
④	4 5581 820	Rotor Guide Screw
⑤	2 5281 100	Carburetor Body
⑥	2 2681 953	Fuel Inlet
⑦	2 7881 330	Mixture Control Screw
⑧	2 7681 340	Mixture Control Valve Stopper Assembly
⑨	2 7981 900	Needle Valve Assembly
⑨-1	2 7981 910	Needle
⑨-2	2 4981 837	"O" Ring (2pcs.)
⑨-3	2 7381 940	Needle Valve Holder Assembly
⑨-4	2 6711 305	Ratchet Spring
⑩	2 9015 019	Carburetor Rubber Gasket