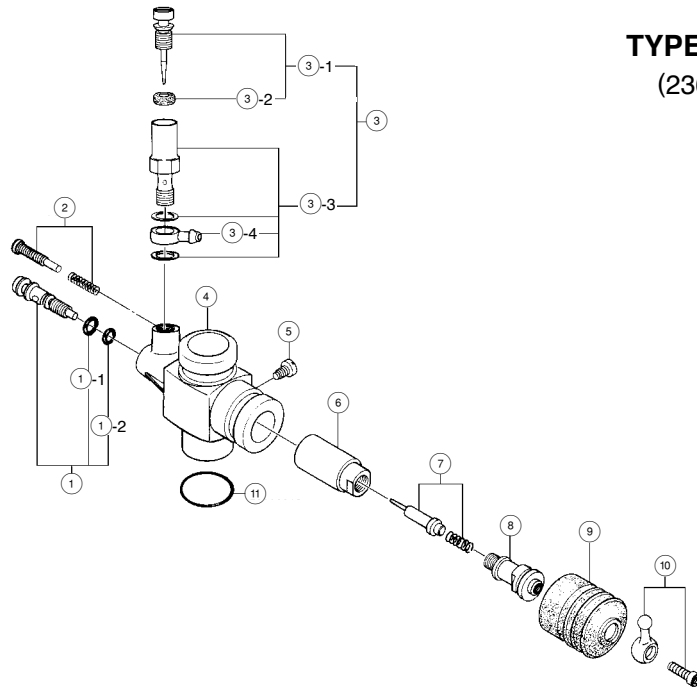


TYPE 20E

(23618001)



For 21RG Series

No.	Code No.	Description
①	2 3818 180	Mixture Control Valve Assembly
①-1	4 6066 319	"O" Ring(L)for Mixture Control Valve (2pcs.)
①-2	2 2781 800	"O" Ring(S)for Mixture Control Valve (2pcs.)
②	2 3818 500	Throttle Stop Screw
③	2 3618 190	Needle Valve Assembly
③-1	2 3618 197	Needle
③-2	4 6066 319	"O" Ring for needle
③-3	2 3618 194	Needle Holder Assembly
③-4	2 3818 176	Universal Nipple No.9
④	2 3618 102	Carburettor Body
⑤	4 5581 820	Slide Valve Guide Screw
⑥	2 3818 251	Slide Valve
⑦	2 3818 310	Metering Needle Assembly
⑧	2 3818 220	Slide Valve Extension
⑨	2 2884 220	Dust Cover
⑩	2 3818 400	Ball Link No.1
⑪	2 9015 019	Carburettor Rubber Gasket