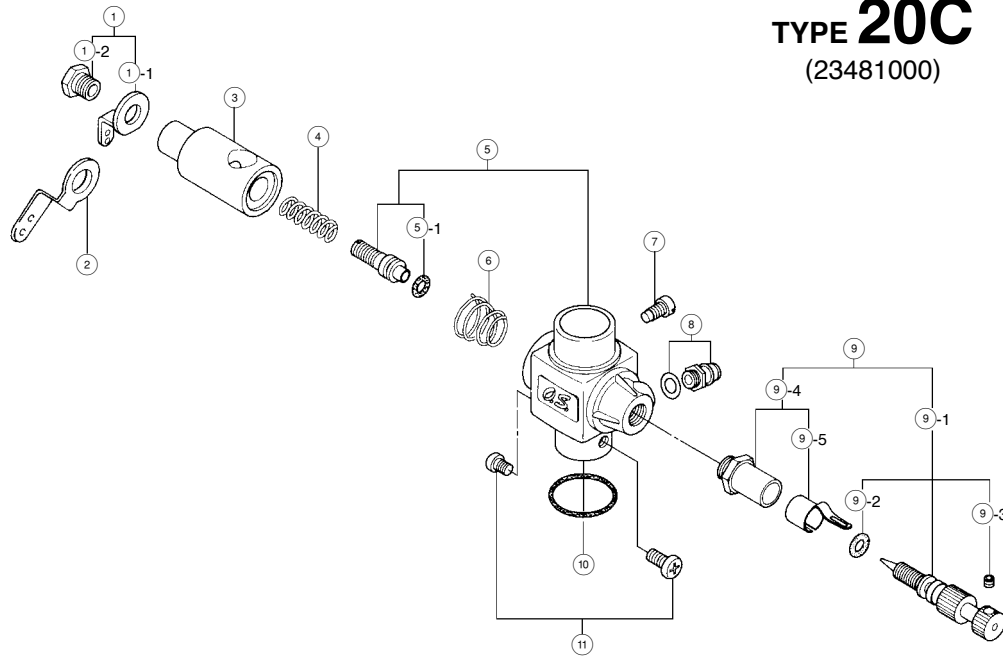


TYPE 20C

(23481000)



For 32SX-H,32SX-HX_{RING}

No.	Code No.	Description
①	2 3481 400	Throttle Lever Assembly
①-1	2 2781 410	Throttle Lever
①-2	2 2781 420	Throttle Lever Fixing Screw
②	2 2781 411	Throttle Lever
③	2 3481 200	Carburettor Rotor
④	2 3481 650	Mixture Control Valve Spring
⑤	2 3481 100	Carburettor Body
⑤-1	2 4881 824	"O" Ring (2pcs.)
⑥	2 6781 506	Rotor Spring
⑦	4 5581 820	Rotor Guide Screw
⑧	2 2681 953	Fuel Inlet
⑨	2 7681 900	Needle Valve Assembly
⑨-1	2 7681 970	Needle
⑨-2	2 4981 837	"O" Ring (2pcs.)
⑨-3	2 6381 501	Set Screw
⑨-4	2 7381 940	Needle Valve Holder
⑨-5	2 6711 305	Ratchet Spring
⑩	2 2615 000	Carburettor Rubber Gasket
⑪	2 3081 706	Carburettor Fixing Screw