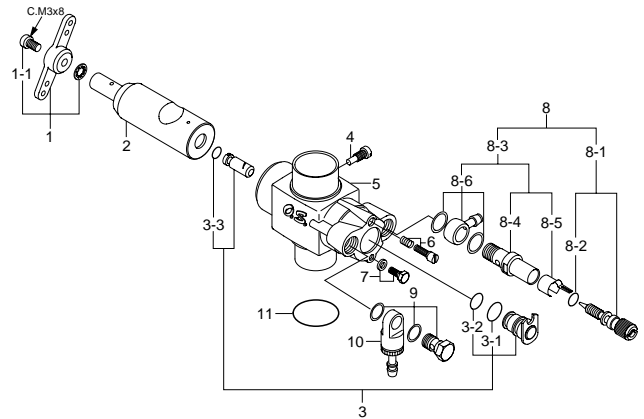
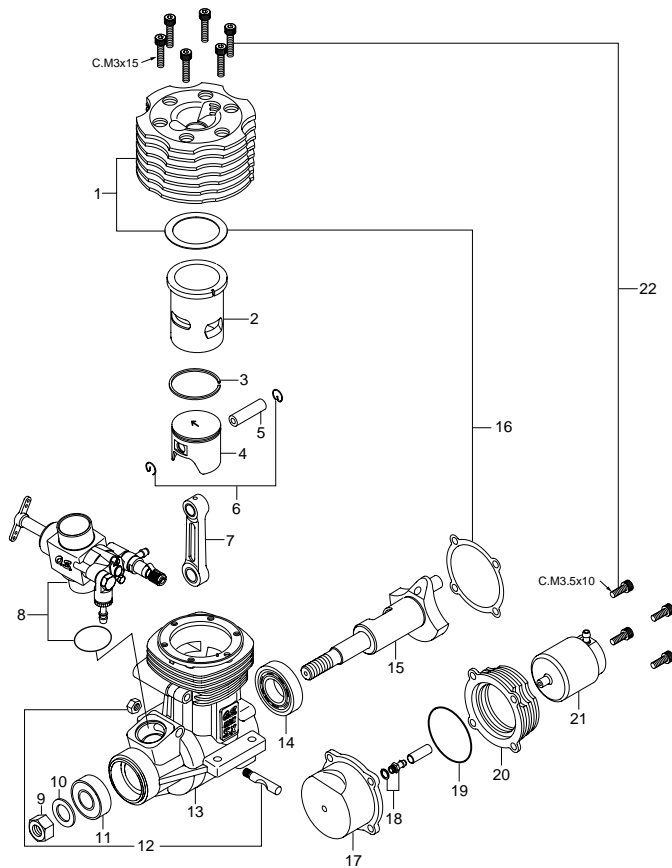


## MAX-91SX-HRING C Spec PS

(19060)

### TYPE 60M

(29084000)



\* Type of screw

C...Cap Screw M...Oval Fillister-Head Screw

F...Flat Head Screw N...Round Head Screw S...Set Screw

No.	Code No.	Description
1	29054200	Heatsink Head
2	29053100	Cylinder Liner
3	29503400	Piston Ring
4	29053210	Piston
5	27006000	Piston Pin
6	27917000	Piston Pin Retainer (2pcs.)
7	29505010	Connecting Rod
8	29084000	Carburetor Complete 60M
9	45010002	Propeller Nut
10	46120000	Thrust Washer
11	26731002	Crankshaft Ball Bearing (Front)
12	29081719	Carburetor Retainer Assembly
13	29051010	Crankcase
14	27930000	Crankshaft Ball Bearing (Rear)
15	29052100	Crankshaft
16	29514000	Gasket Set
17	29057020	Cover Plate
18	22681953	Joint Nipple (No.1)
19	29057110	Holder "O" Ring
20	29057100	Pump Holder
21	72509000	Pump
22	29513000	Screw Set
	71608001	Glow Plug No.8
	27708200	Woodruff Key
	41621100	Needle Adjusting Screw
	29084610	T Nipple

No.	Code No.	Description
1	27381410	Throttle Lever Assembly
1-1	22826131	Throttle Lever Retaining Screw (2pcs.)
2	29084200	Carburetor Rotor
3	29084800	Mixture Control Valve Assembly
3-1	27881810	"O"Ring (L) (2pcs.)
3-2	27881800	"O"Ring (S) (2pcs.)
3-3	27881820	"O"Ring (L) (2pcs.)
4	45581820	Rotor Guide Screw
5	29084100	Carburetor Body
6	27881330	Mixture Control Screw
7	27681340	Mixture Control Valve Stopper
8	27081900	Needle Valve Assembly
8-1	27981910	Needle
8-2	24981837	"O"Ring (2pcs.)
8-3	46181940	Needle Valve Holder Assembly
8-4	46181941	Needle Valve Holder
8-5	26711305	Ratchet Spring
8-6	46181950	Fuel Inlet
9	29084440	Return Screw
10	29084500	One-way Valve
11	29015019	Carburetor Rubber Gasket
	41621100	Needle Adjusting Screw (5pcs.)

#### O.S. GENUINE PARTS & ACCESSORIES

Code No.	Description
27708010	Drive Hub
71705000	In-Flight Control Needle Valve
72403050	Super Filter (L)
55500003	M4 Lock Washer (10sets)
71530500	Crankshaft Clamp 7091
41621100	Needle Adjusting Screw (M2.6x5) (5pcs.)
79871070	M3.5x10 Cap Screw Set (10pcs.)
71521000	Long Socket Wrench With Plug Grip