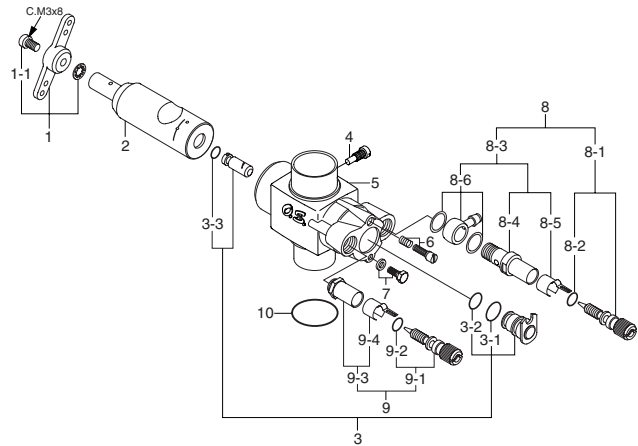
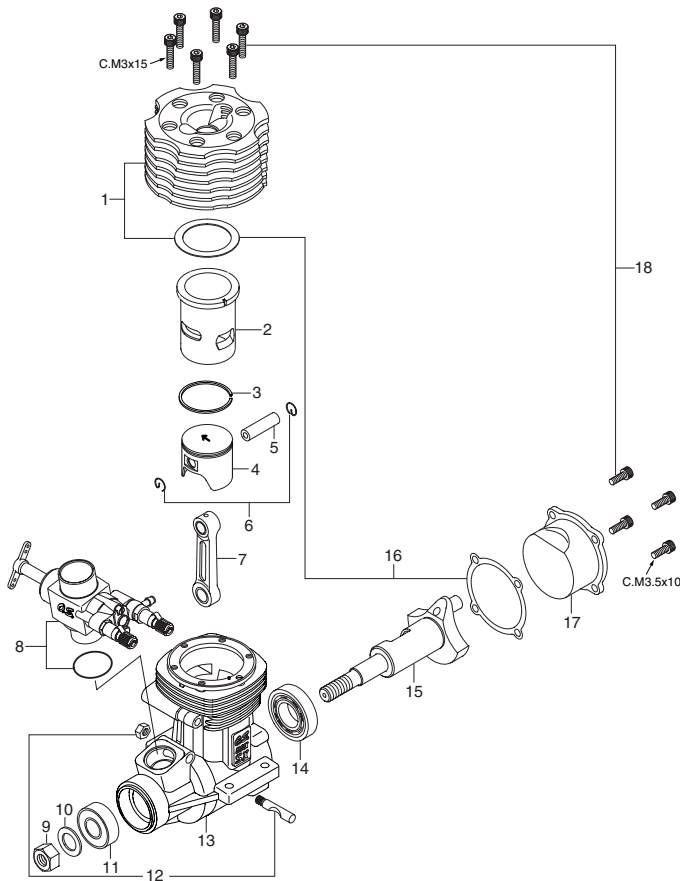


## MAX-91SX-HRING C Spec

(19044)

### TYPE 60K-C

(27081010)



\* Type of screw

C...Cap Screw M...Oval Fillister-Head Screw

F...Flat Head Screw N...Round Head Screw S...Set Screw

No.	Code No.	Description
1	29054110	Heatsink Head
2	29053100	Cylinder Liner
3	29503400	Piston Ring
4	29053210	Piston
5	27006000	Piston Pin
6	27917000	Piston Pin Retainer (2pcs.)
7	29505010	Connecting Rod
8	27081010	Carburetor Complete (Type 60K-C)
9	45010002	Propeller Nut
10	46120000	Thrust Washer
11	26731002	Crankshaft Ball Bearing (Front)
12	29081719	Carburetor Retainer Assembly
13	29051010	Crankcase
14	27930000	Crankshaft Ball Bearing (Rear)
15	29052100	Crankshaft
16	29514000	Gasket Set
17	29057010	Cover Plate
18	29513000	Screw Set
	71608001	Glow Plug No.8
	27708200	Woodruff Key
		Needle Adjusting Screw (M2.6x5)

No.	Code No.	Description
1	27381410	Throttle Lever Assembly
1-1	22826131	Throttle Lever Retaining Screw (2pcs.)
2	27081200	Carburetor Rotor
3	27081600	Mixture Control Valve Assembly
3-1	27881810	"O"Ring (L) (2pcs.)
3-2	27881800	"O"Ring (S) (2pcs.)
3-3	27881820	"O"Ring (L) (2pcs.)
4	45581820	Rotor Guide Screw
5	27081110	Carburetor Body
6	27881330	Mixture Control Screw
7	27681340	Mixture Control Valve Stopper
8	27081900	Needle Valve Assembly
8-1	27981910	Needle Assembly
8-2	24981837	"O"Ring (2pcs.)
8-3	46181940	Needle Valve Holder Assembly
8-4	46181941	Needle Valve Holder
8-5	26711305	Ratchet Spring
8-6	46181950	Fuel Inlet
9	27981900	Needle Valve Assembly
9-1	27981910	Needle Assembly
9-2	24981837	"O"Ring (2pcs.)
9-3	27381940	Needle Valve Holder Assembly
9-4	26711305	Ratchet Spring
10	29015019	Carburetor Rubber Gasket
		Needle Adjusting Screw (M2.6x5)

#### O.S. GENUINE PARTS & ACCESSORIES

Code No.	Description
27708010	Drive Hub
71705000	In-Flight Control Needle Valve
72403050	Super Filter (L)
55500003	M4 Lock Washer (10sets)
71530500	Crankshaft Clamp 7091
41621100	Needle Adjusting Screw (M2.6x5) (5pcs.)
79871070	M3.5x10 Cap Screw Set (10pcs.)
71521000	Long Socket Wrench With Plug Grip