

No.	Code No.	Description
1	21504600	Heatsink Head
2	21503020	Cylinder & Piston Assembly
3	21806000	Piston Pin
4	23817000	Piston Pin Retainer(2pcs.)
5	21255000	Connecting Rod
6	21286000	Carburetor Complete (Type 10C)
7	21481020	Carburetor Complete (Type 10E-R)
8	21481700	Carburetor Retainer
9	20810007	Propeller Nut (Not included in 15CV-RX(S))
10	21408000	Drive Hub (Not included in 15CV-RX(S))
11	22631020	Crankshaft Ball Bearing (Front)
12	21501030	Crankcase
13	21230020	Crankshaft Ball Bearing (Rear)
14	21252040	Crankshaft
	21252050	Crankshaft (15CV-RX(S))
15	21514010	Gasket Set
16	21421200	Starting Shaft
17	21421300	Rear Adaptor
18	21313030	Screw Set
19	73003000	No.5 Recoil Starter Assembly
19-1	73003100	No.5 Recoil Starter Body
19-2	73003200	No.5 One-way Clutch
	72404000	Engine Mount Spacer
	71608001	Glow Plug No.8
	72403200	Super Air Cleaner 102 (W/3 filter elements)
	72403210	102 Cleaner Body
	72403120	101,102 Filter Elements (6pcs.)

O.S. GENUINE PARTS & ACCESSORIES

Code No.	Description
72010400	15CV-R Hyper Head Set (for standard plug)
72010200	15CV-R Hyper Head Set (for T type plug)
72103110	Exhaust Header Pipe (for kyosho super10)
72103140	Exhaust Header Pipe (for kyosho Spider & HPI Nitro)
72103160	Exhaust Header Pipe (for kyosho V-one R, V-one S)
72103130	Exhaust Header Pipe (for Tamiya TG10)
72103120	Exhaust Header Pipe (for Tamiya TGX)
72103150	Exhaust Header Pipe (for MUGEN MTX)
72103310	Super Joint Tube 15
72103030	T-1030Tuned Silencer For 1/10 off-road buggy and scale car.
72103031	T-1031Tuned Silencer Exhaust outlet pipe is located on right side of silencer.
72103032	T-1032Tuned Silencer Is located on left side of silencer IFMAR regulation legal.
73300305	Dust Cap Set \varnothing 3 (5pcs.) (for Carburetor Nipple)
73300712	Dust Cap Set \varnothing 7 (3pcs.) (for Tuned Silencer)
73301012	Dust Cap Set \varnothing 10 (3pcs.) (for Carburetor)
79871040	M2.6x12 Cap Screw Set (10pcs.)
79871060	M3.5x8 Cap Screw Set (10pcs.)
71521000	Long Socket Wrench With Plug Grip

MAX 15CV-RX

Supplied With 10E-R automatic Carburettor (11640)
Supplied With 10C automatic Carburettor (11641)

MAX-15CV-RX(S)

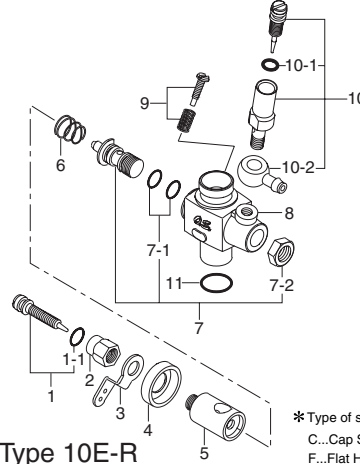
Supplied With 10E-R automatic Carburettor (11642)

TYPE 10E-R

(21481020)

TYPE 10C

(21286000)



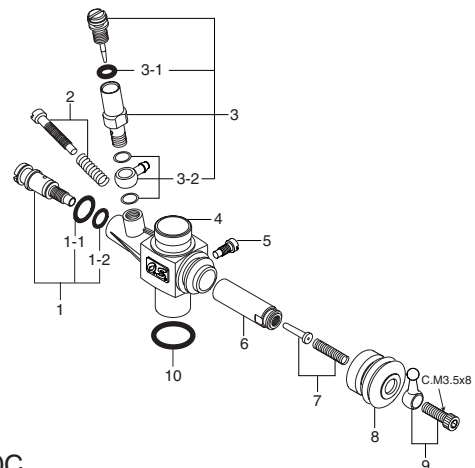
Type 10E-R

* Type of screw

C...Cap Screw M...Oval Fillister-Head Screw

F...Flat Head Screw N...Round Head Screw S...Set Screw

No.	Code No.	Description
1	21481600	Mixture Control Screw
1-1	27881820	"O" Ring (2pcs.)
2	21481420	Throttle Lever Fixing Nut
3	22681419	Throttle Lever
4	21283210	Dust Cover
5	21481200	Carburetor Rotor
6	22481506	Rotor Spring
7	21283962	Nozzle Assembly
7-1	24881824	"O" Ring
7-2	21283961	Locknut
8	21481120	Carburetor Body
9	22681310	Throttle Stop Screw
10	21481900	Needle Valve Assembly
10-1	27881820	"O" Ring (2pcs.)
10-2	21481950	Fuel Inlet (No.12)
11	22615000	Carburetor Rubber Gasket



Type 10C

No.	Code No.	Description
1	21285600	Mixture Control Valve Assembly
1-1	46066319	"O" Ring(L) (2pcs.)
1-2	22781800	"O" Ring(S) (2pcs.)
2	21285640	Throttle Stop Screw
3	21285901	Needle Valve Assembly
3-1	27881820	"O" Ring (2pcs.)
3-2	21881950	No.14 Universal Nipple Assembly
4	21286100	Carburetor Body
5	21285220	Slide Valve Guide Screw
6	21286200	Slide Valve
7	21286400	Metering Needle Assembly
8	21881320	Dust Cover
9	23818420	Ball Link No.4
10	22615000	Carburetor Rubber Gasket

The specifications are subject to alteration for improvement without notice.