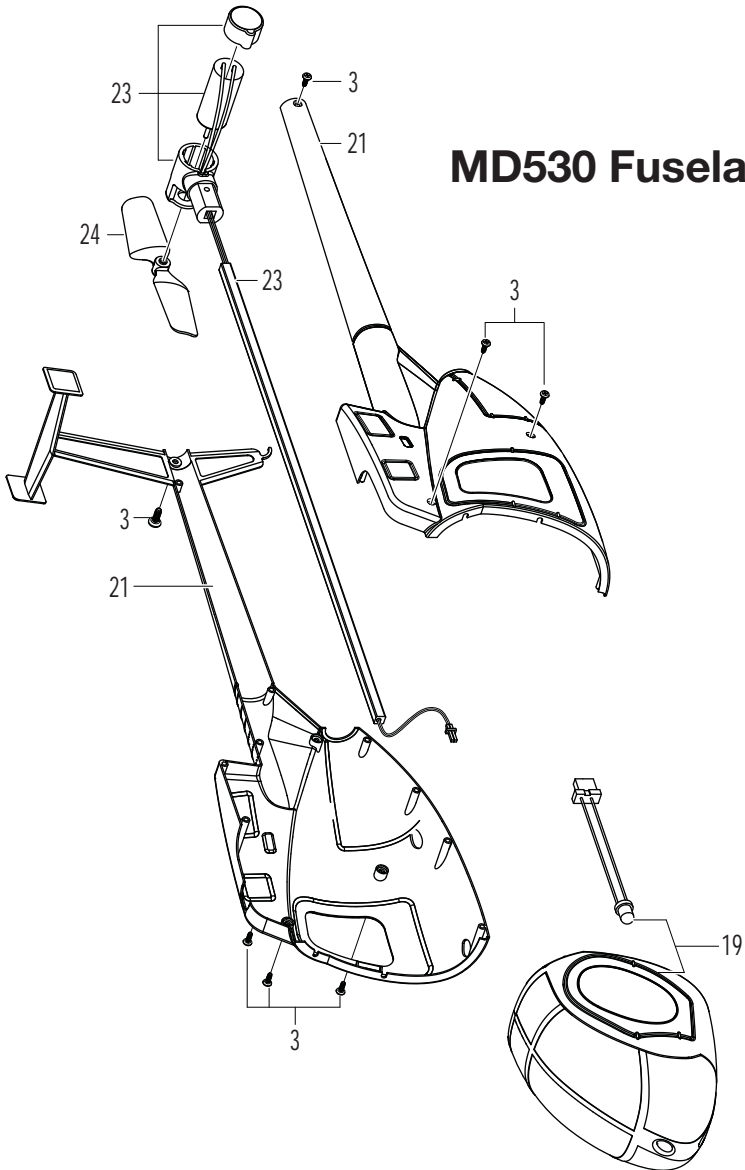
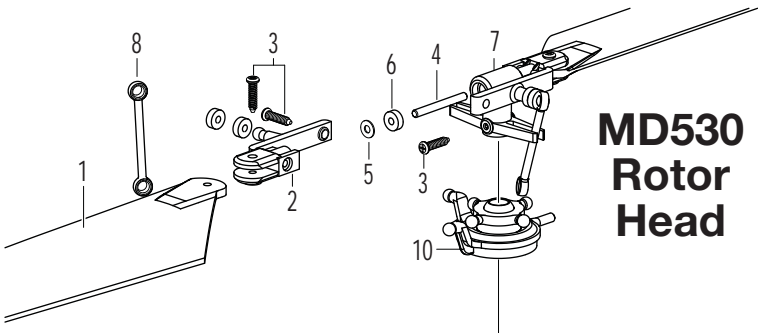


Heli-Max™

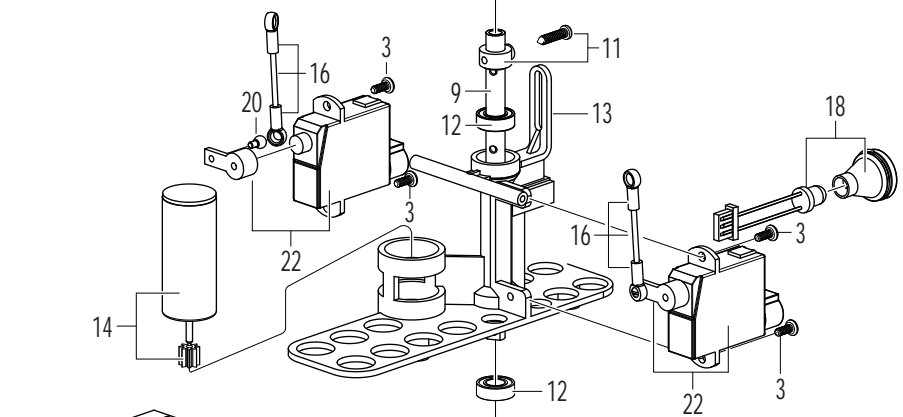
MD-530™

Click part numbers for more information

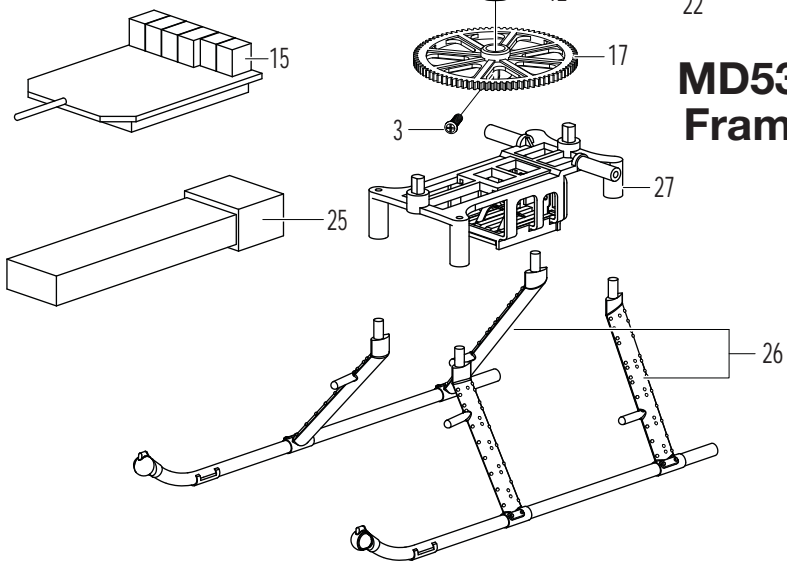




MD530 Rotor Head



MD530 Frame



| Key No. | Part No. | Part Name | |
|----------------|-----------------|------------------|----------------------------------|
| | 1 | HMXE2105 | Main Blade |
| | 2 | HMXE2135 | Blade Grips |
| | 3 | HMXE2160 | Screw Set (All) |
| | 4 | HMXE2137 | Feathering Shaft |
| | 5 | HMXE2138 | Blade Grip Spacers |
| | 6 | HMXE2139 | Rubber Dampeners |
| | 7 | HMXE2140 | Rotor Head |
| | 8 | HMXE2141 | Rotor Head Linkage |
| | 9 | HMXE2142 | Main Shaft |
| | 10 | HMXE2143 | Swashplate |
| | 11 | HMXE2109 | Main shaft collar |
| | 12 | HMXE2144 | Bearing Set |
| | 13 | HMXE2163 | Main Frame |
| | 14 | HMXG8028 | Main Motor |
| | 15 | HMXM2039 | TAGs 3-1 SLT Control Board |
| | 16 | HMXE2162 | Servo Linkages |
| | 17 | HMXE2147 | Main Gear |
| | 18 | HMXE2165 | LED Light |
| | 19 | HMXE2164 | Canopy (front with LED) |
| | 20 | HMXE2150 | Servo Arms with metal ball joint |
| 19/21 | HMXE2168 | Fuselage | |
| | 21 | HMXE2161 | Aft Fuselage |
| | 22 | HMXM2037 | Servo |
| | 23 | HMXG8030 | Tail Motor with boom assembly |
| | 24 | HMXE2152 | Tail Rotor Blade |
| | 25 | HMXP1007 | 1S LiPo Battery |
| | 26 | HMXE2167 | Landing Skid |
| | 27 | HMXE2166 | Battery Frame |
| | | HMXJ2024 | 410 SLT Transmitter |
| | | HMXP2021 | 1S USB Charger |