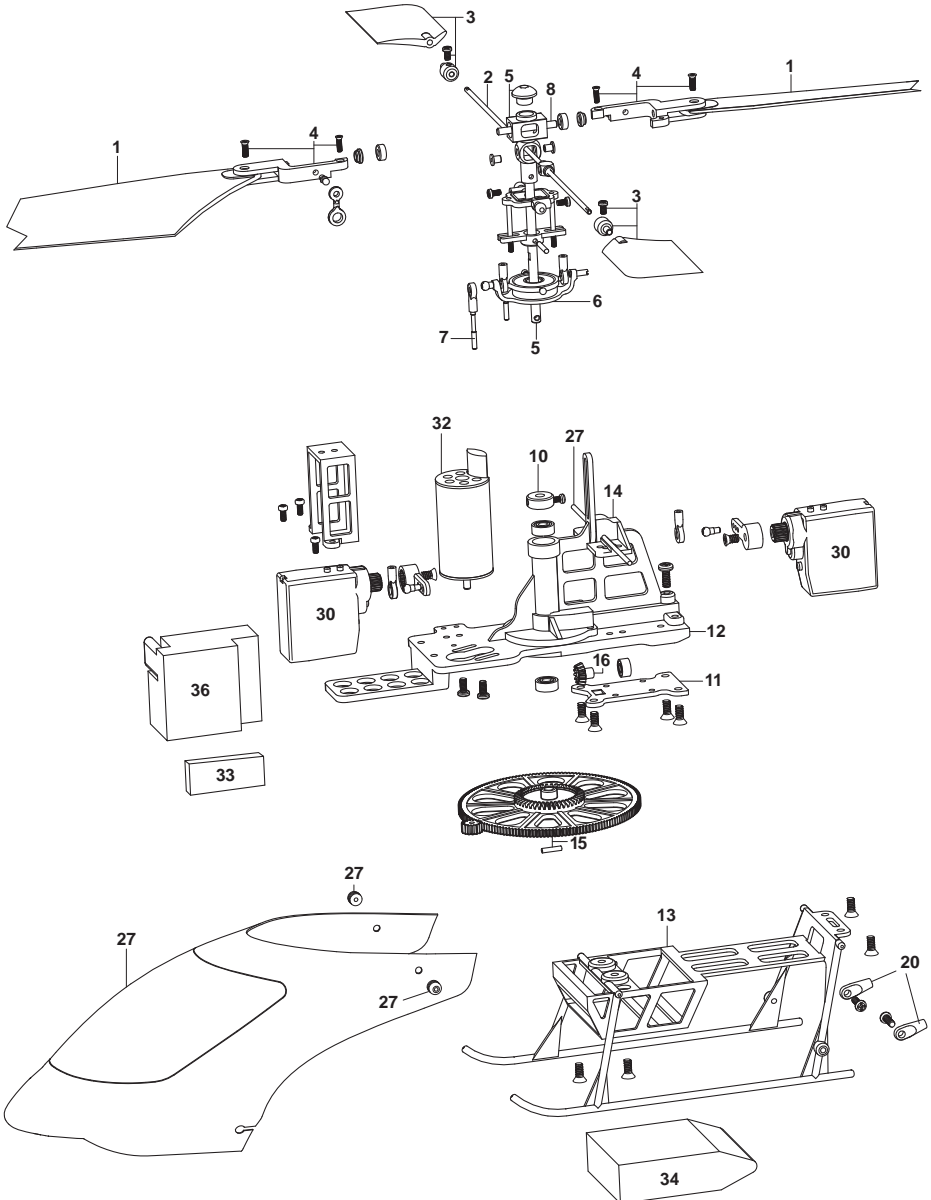


Heli-Max®

NOVUS™ FP N125 INSTRUCTION MANUAL

Click part numbers for more information



Part #	Description	Part #	Description
1	HMXE8298 Main Rotor Blades	25	HMXE8455 Tail Blade Grips
2	HMXE8337 Fly Bar Novus	26	HMXE8456 Tail Rotor Blades
3	HMXE8338 Fly Bar Paddles (2)	27	HMXE7428 Blue Scheme Canopy
4	HMXE8339 CNC Main Blade Grips (2)	28	HMXE8834 Complete Ball Bearing Set
5	HMXE8340 CNC Head block/ Main Shaft Assembly	29	HMXE7335 Complete Screw Set
6	HMXE8341 CNC Swashplate	30	HMXM2027 SX 4000 Cyclic Servo Novus (1)
7	HMXE8342 Complete Rotor Head Linkage Set	31	HMXM2028 SX450 Tail Rotor Servo
8	HMXE8343 Feathering Spindle Novus	32	HMXG8013 Brushless Main Motor
9	HMXE8444 Tail Rotor Shaft Novus	33	HMXM3005 Brushless ESC Main Motor
10	HMXE8445 Tail/ Main Shaft Locking Collars	34	GPMP0410 1s LiPo 600 Mha 15c
11	HMXE8446 Tail Boom Retainer Plate	35	HMXP2019 1s LiPo Charger
12	HMXE7899 Main Frame	36	HMXM2030 Receiver / Gyro
13	HMXE7898 Landing Gear/ Battery Frame	37	HMXJ2028 Transmitter
14	HMXE7897 Servo Mounts	38	HMXE7397 Canopy Rods / Grommets Novus
15	HMXE8038 Main Drive Gear		
16	HMXE8039 Torque Tube Tail Drive Gear Set		
17	HMXE8447 Torque Tube Drive Shaft		
18	HMXE8448 Tail Boom		
19	HMXE8449 Tail Push Rod		
20	HMXE8450 Tail Boom Supports (2)		
21	HMXE8451 Tail Fin Set (2)		
22	HMXE8452 Tail Gearcase		
23	HMXE8453 Tail Pitch Control Arm		
24	HMXE8454 Tail Pitch Slider		

