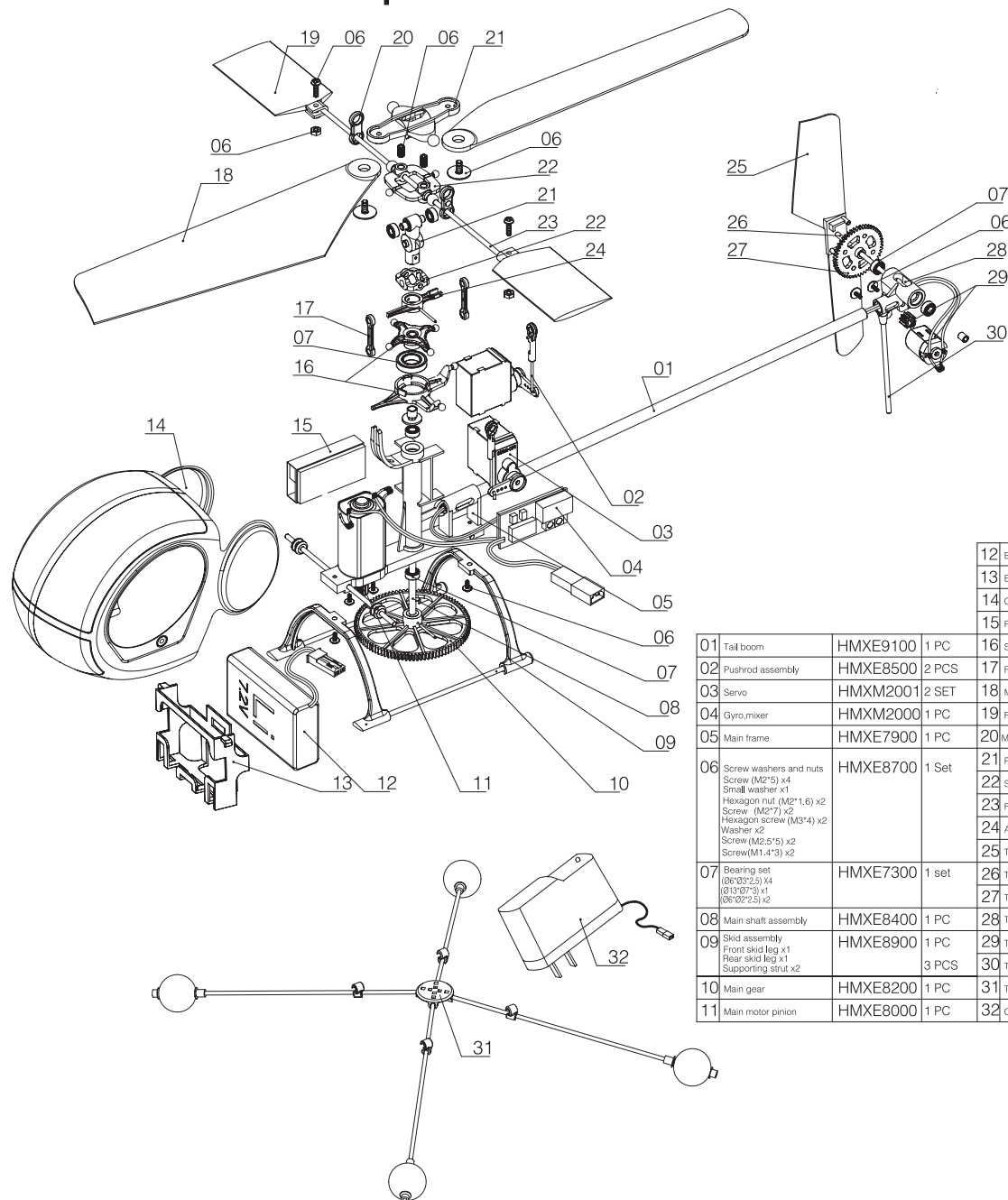


Heli-Max™



Click part numbers for more information

Exploded View



12	Battery (Li-Poly)	HMP1000	1 SET
13	Battery holder	HMXE7200	1 PC
14	Canopy	HMXE7400	1 SET
15	Receiver	HMXL0001	1 PC
16	Swashplate assembly	HMXE9000	1 PC
17	Flybar control link	HMXE7600	2 PCS
18	Main rotor blade	HMXE8300	2 PCS
19	Flybar paddles	HMXE7700	2 PCS
20	Main rotor control link	HMXE8100	2 PCS
21	Rotor head assembly	HMXE8600	1 Set
22	Seesaw assembly	HMXE8800	1 Set
23	Flybar	HMXE7800	1 PC
24	Anti-rotation arm	HMXE7100	1 PC
25	Tail rotor blade	HMXE9500	1 PC
26	Tail rotor shaft	HMXE9700	1 PC
27	Tail rotor gear	HMXE9600	1 PC
28	Tail motor mount	HMXE9400	1 PC
29	Tail motor and pinion	HMXE9300	1 PC
30	Tail Skid support	HMXE9200	1 Set
31	Training gear	HMXE9800	1 Set
32	Charger	HMP1001	1 PC
01	Tail boom	HMXE9100	1 PC
02	Pushrod assembly	HMXE8500	2 PCS
03	Servo	HMXM2001	2 SET
04	Gyro/mixer	HMXM2000	1 PC
05	Main frame	HMXE7900	1 PC
06	Screw washers and nuts Screw (M2.5) x4 Small washer x1 Hexagon nut (M2*1.6) x2 Screw (M2*7) x2 Hexagon screw (M3*4) x2 Washer x2 Screw (M2.5*5) x2 Screw (M1.4*3) x2	HMXE8700	1 Set
07	Bearing set (06*02*2.5) x4 (013*07*3) x1 (06*02*2.5) x2	HMXE7300	1 set
08	Main shaft assembly	HMXE8400	1 PC
09	Skid assembly Front skid leg x1 Rear skid leg x1 Supporting strut x2	HMXE8900	1 PC 3 PCS
10	Main gear	HMXE8200	1 PC
11	Main motor pinion	HMXE8000	1 PC